



5,00 m  
max.

0,90 m  
20 kg

KOVO POLOTOVARY.CZ

**TWIN DRIVE - MANUAL**

### TWIN DRIVE 5.0

BI-FOLDING DOUBLE LEAF  
SWING GATE HARDWARE  
SPACE-SAVING FEATURE  
MAX. 2,5 m SINGLE LEAF  
SINGLE LEAF MAX. 110 kg  
**HINGES NOT INCLUDED**

### TWIN DRIVE 2.5

BI-FOLDING SINGLE LEAF  
SWING GATE HARDWARE  
SPACE-SAVING FEATURE  
MAX. 2,5 m SINGLE LEAF  
SINGLE LEAF MAX. 110 kg  
**HINGES NOT INCLUDED**



NO WELDING  
NEEDED



BOTTOM FIXED LEAF  
SAFETY FEATURE



SPACE SAVING  
FEATURE  
- 50% BACK SPACE



COMPACT  
PACKAGE



EASY  
ASSEMBLING



EASY  
TRANSPORT



FAST  
NO WELDING



FOR RESIDENTIAL  
USE ONLY



EASY TELESCOPIC  
ADJUSTMENT



TAKE  
AWAY



SUITABLE FOR  
ASYMMETRIC LEAFS  
100% + 50%



HIGH QUALITY  
GUARANTEED



SUITABLE FOR  
ALL STANDARD HINGES  
WITH SINGLE AXEL



CAIS  
INNOVATION



WIND RESISTANCE  
MAX. 50%  
LEAF CLOSURE



90° MAX. ANGLE



SUITABLE FOR  
ALL STANDARD  
SWING GATE  
OPERATORS



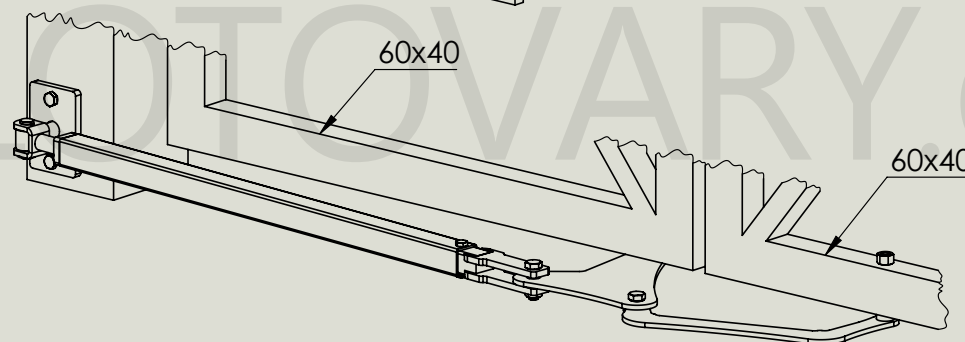
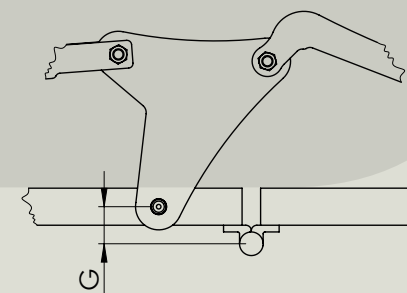
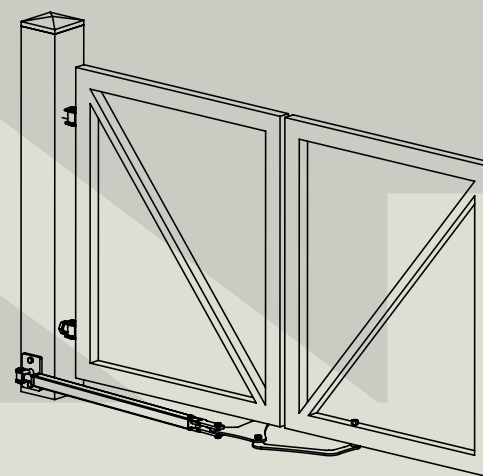
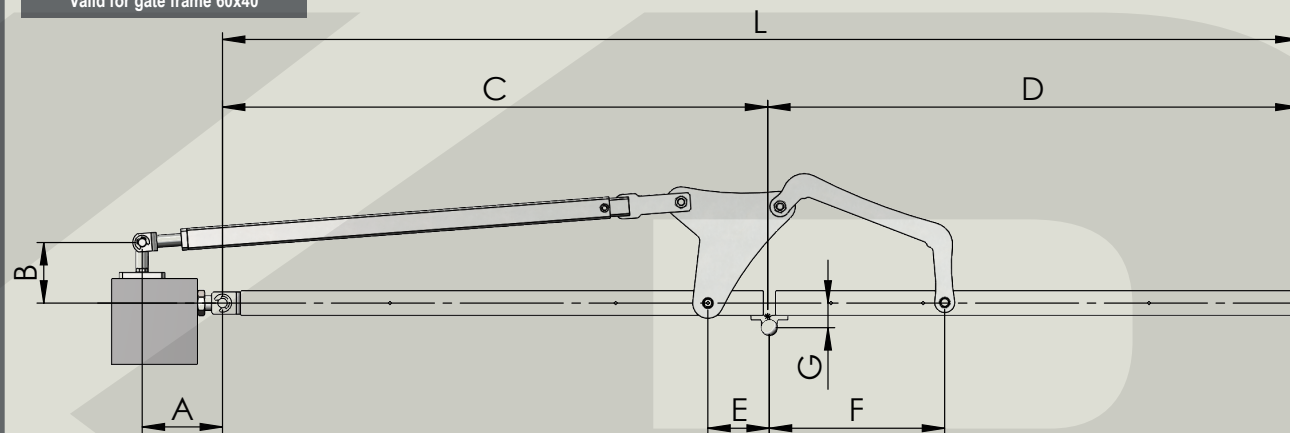
- 37°C  
TESTED & PROVEN

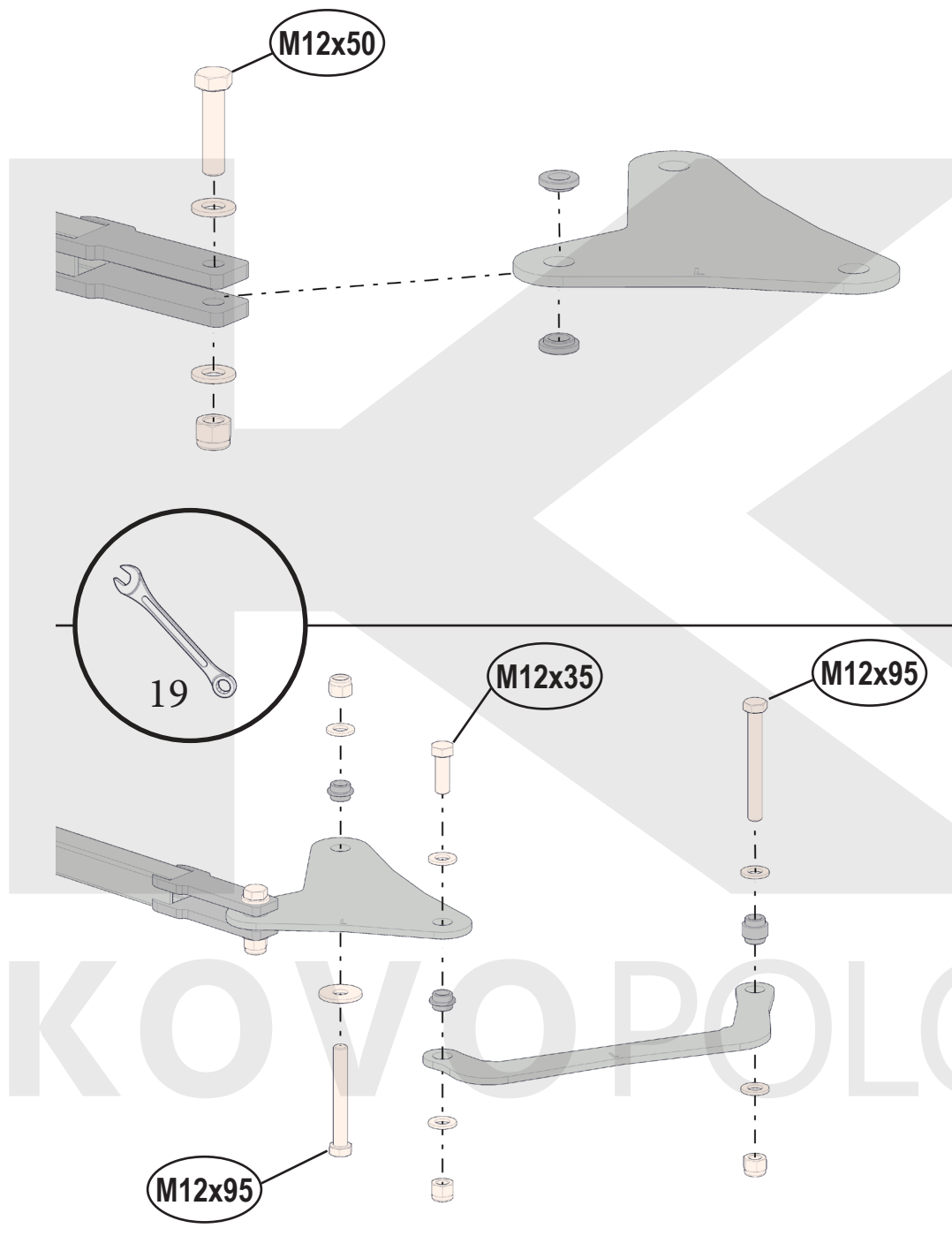


+ 50°C  
TESTED & PROVEN

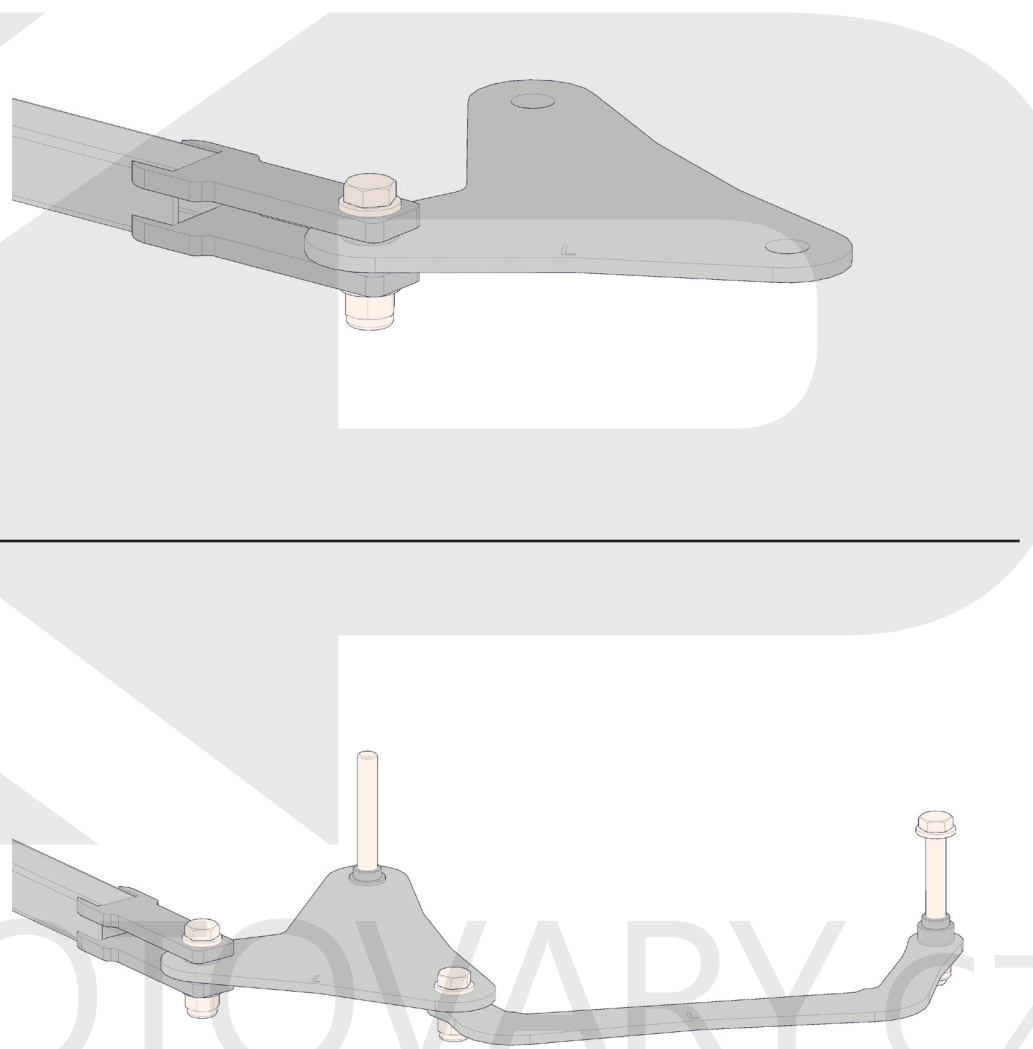
L max.	A	B	C min. / max.	D min. / max.	E	F	G
mm							
2500	130	90	850 – 1250	300 – 1250	100	250	40

Valid for gate frame 60x40





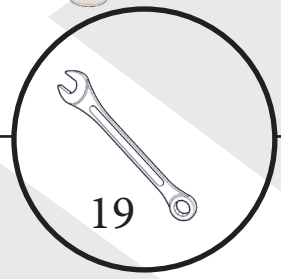
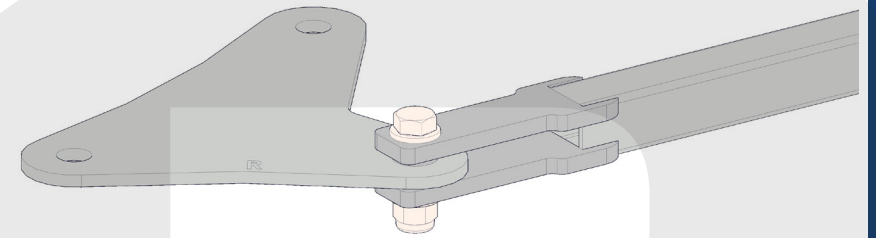
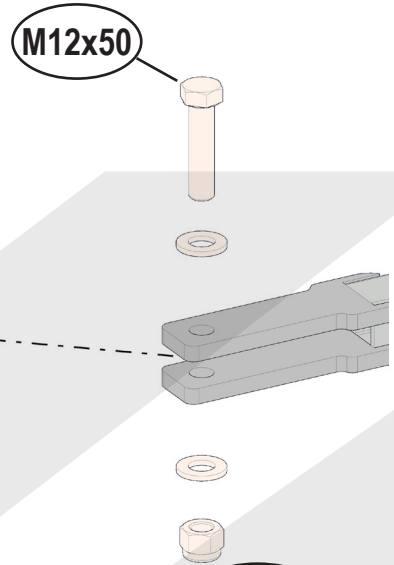
LEFT <<<



KOVOPOLOTOVARY.CZ

STEP 1 (A) - LEFT

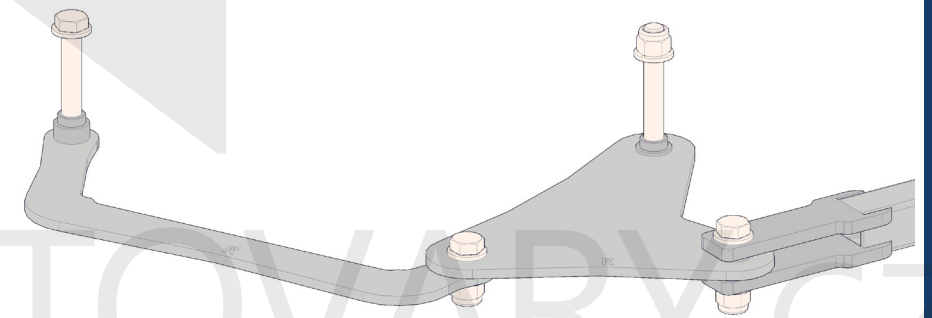
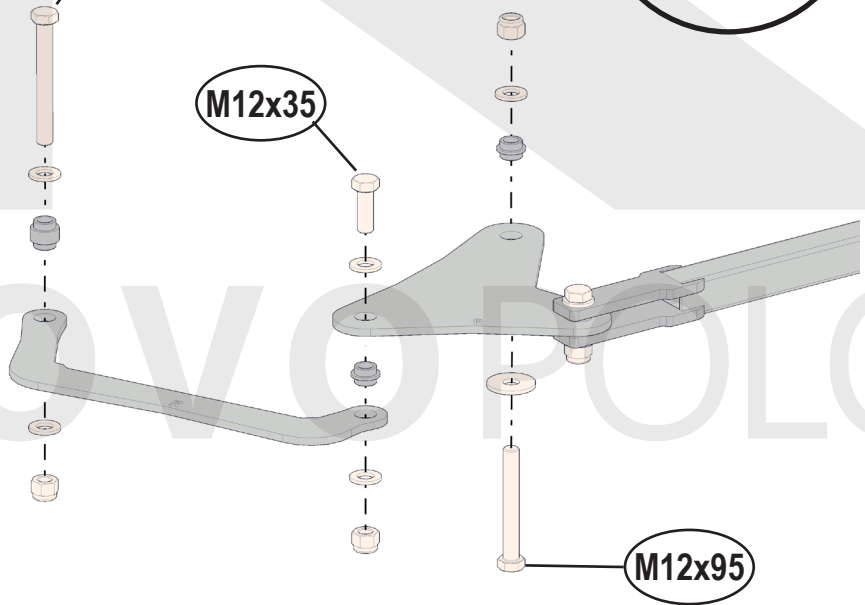
RIGHT >>>



M12x95

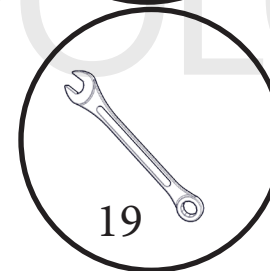
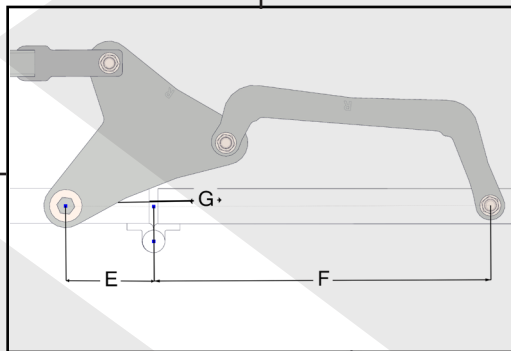
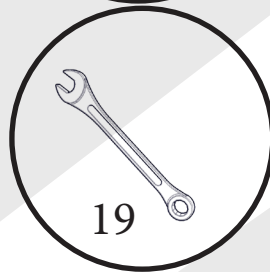
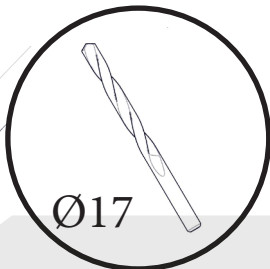
M12x35

M12x95



STEP 1 (B) - RIGHT

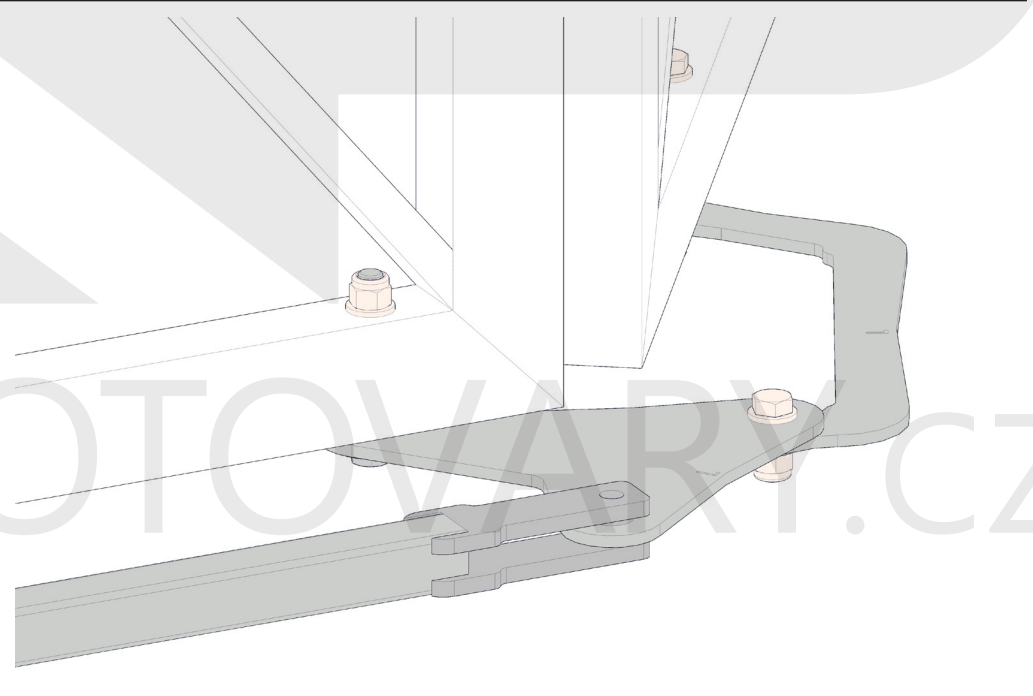
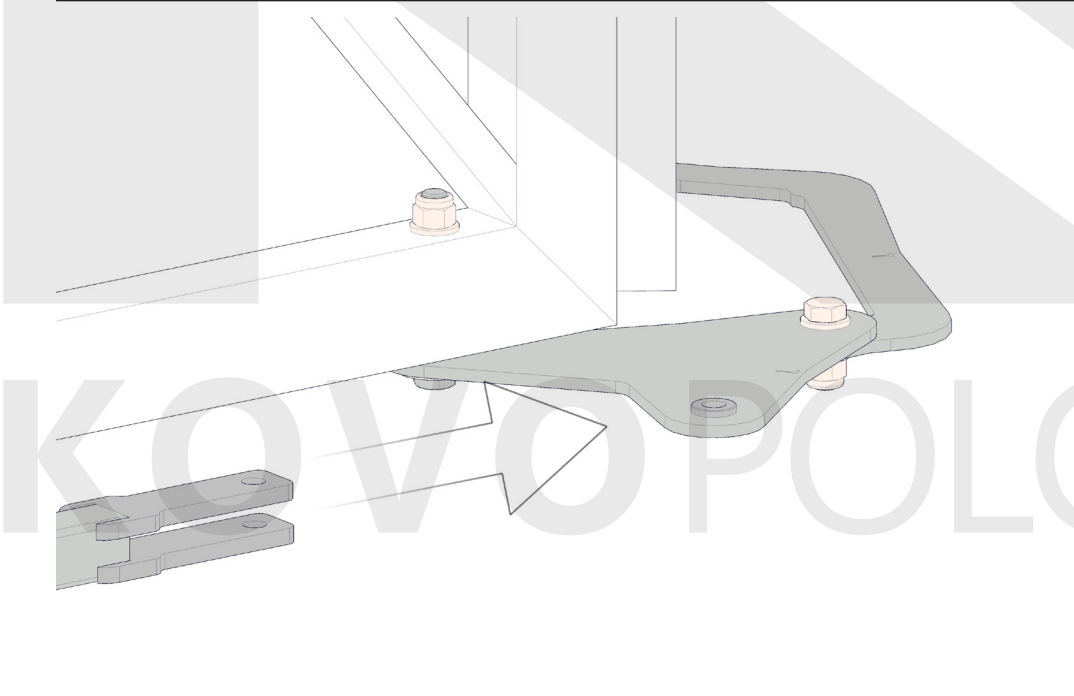
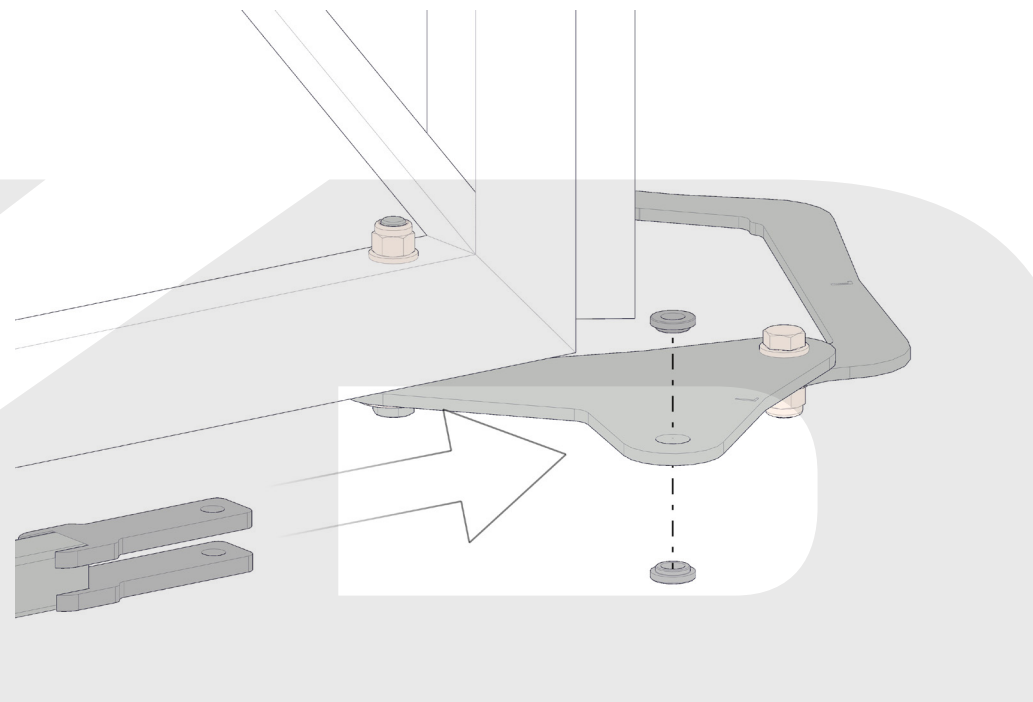
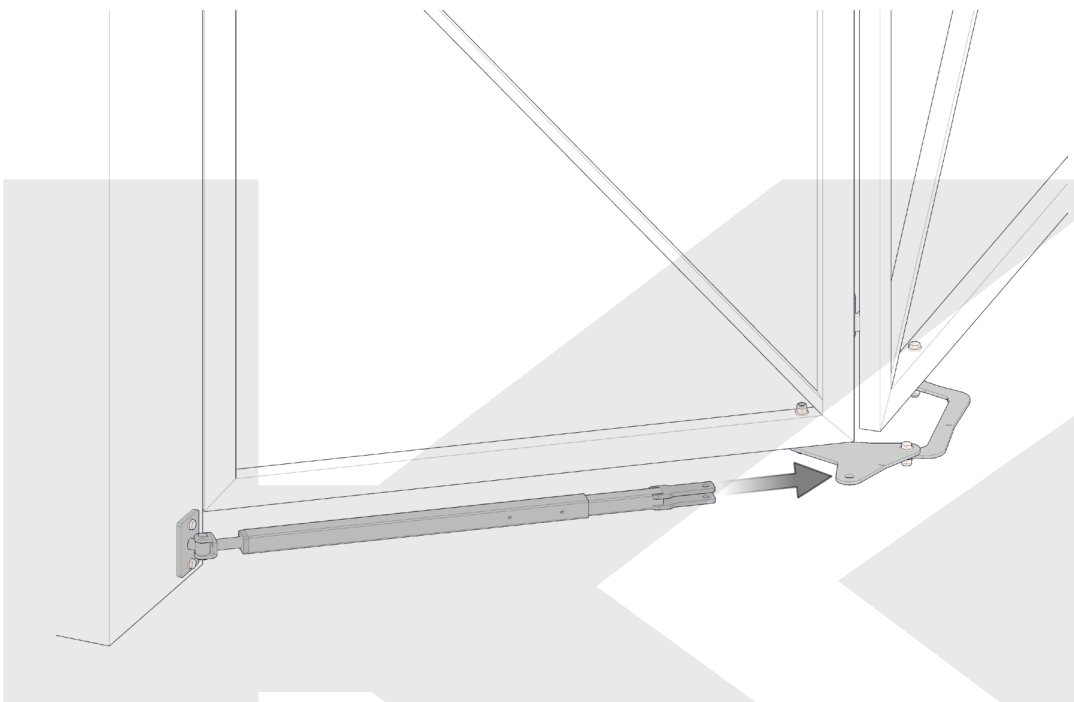
KOVOPOLOTOVARY.CZ



STEP 2

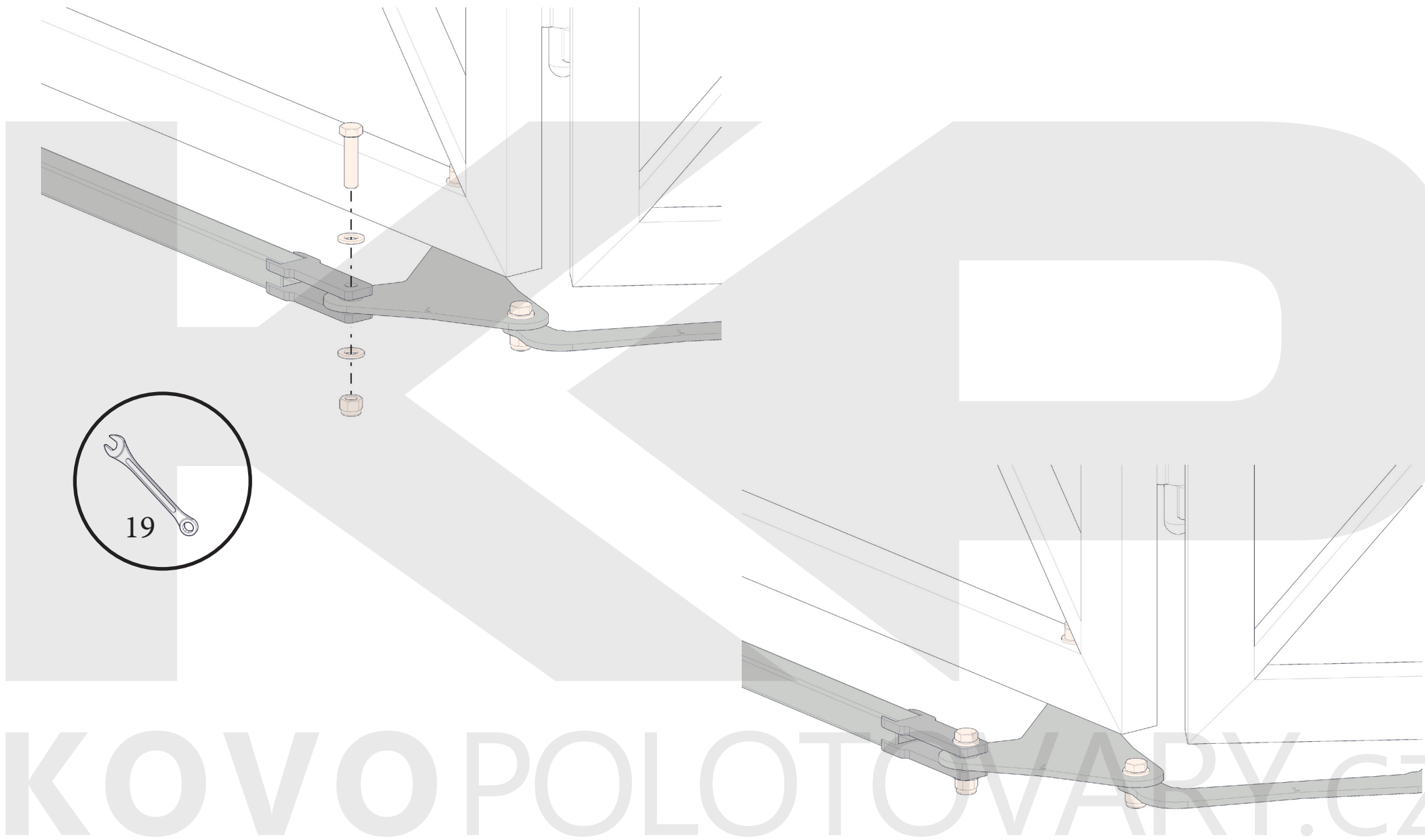
STEP 3

KOVOPOLOTOVARY.CZ

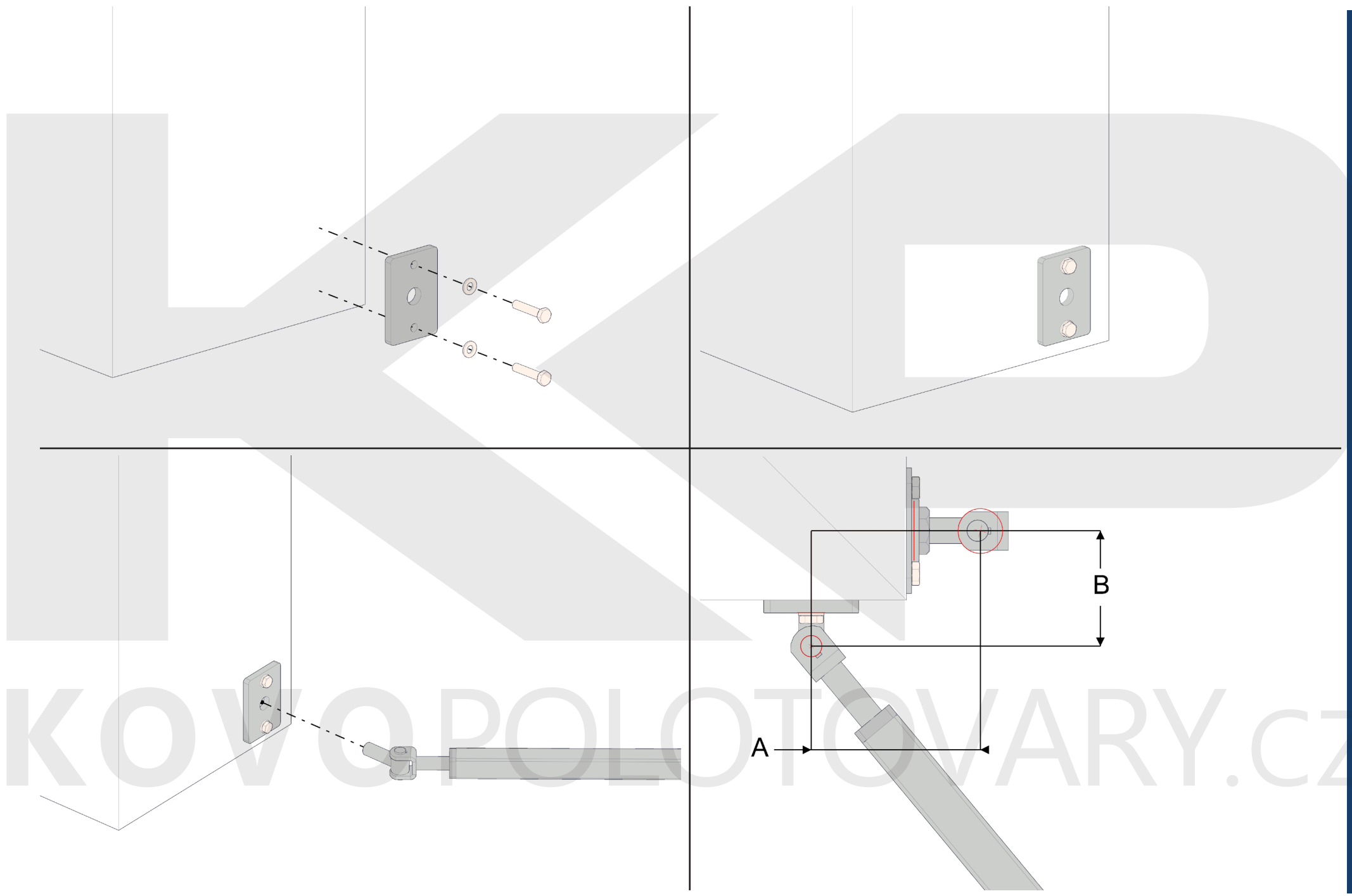


**STEP 4**

KOVOPOLOTOVARY.CZ

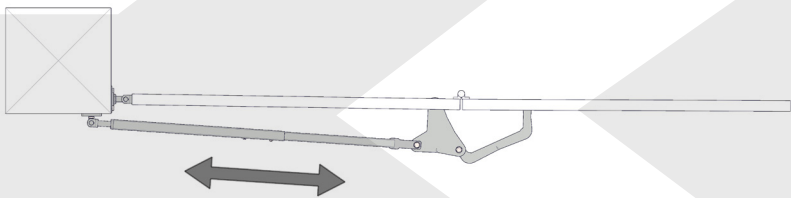
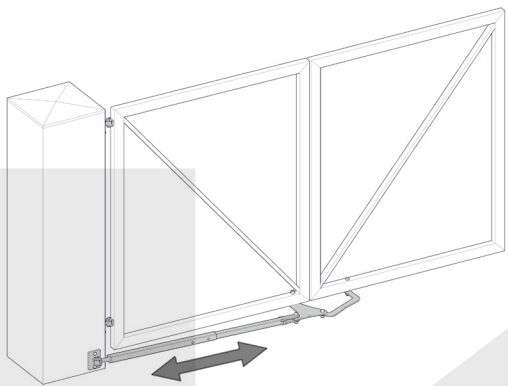


STEP 5

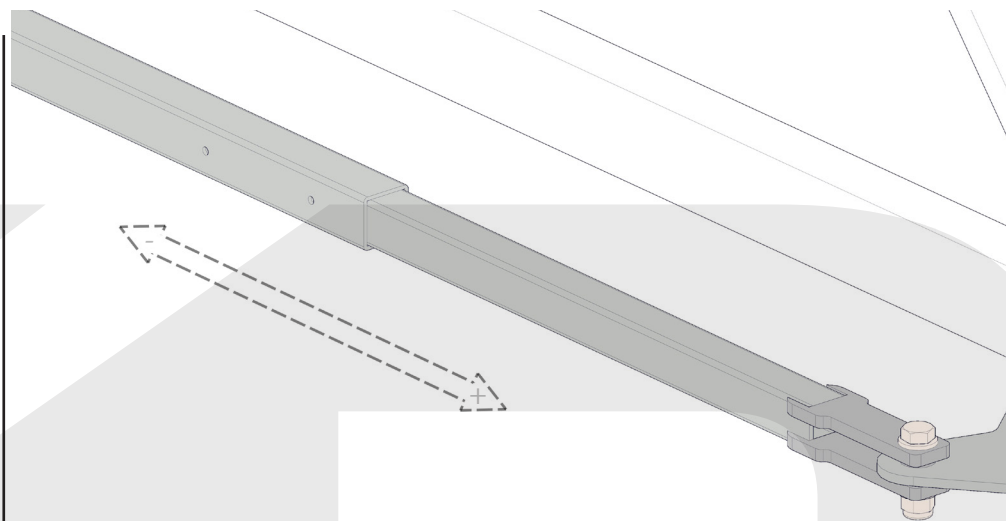


STEP 6

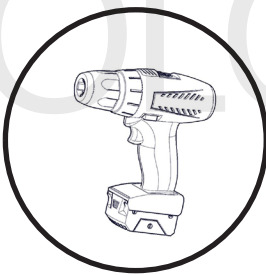
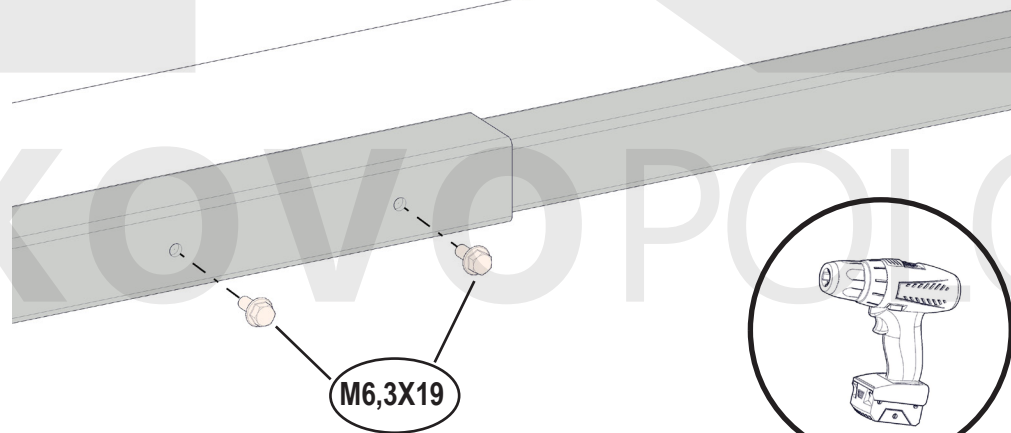




CLOSE

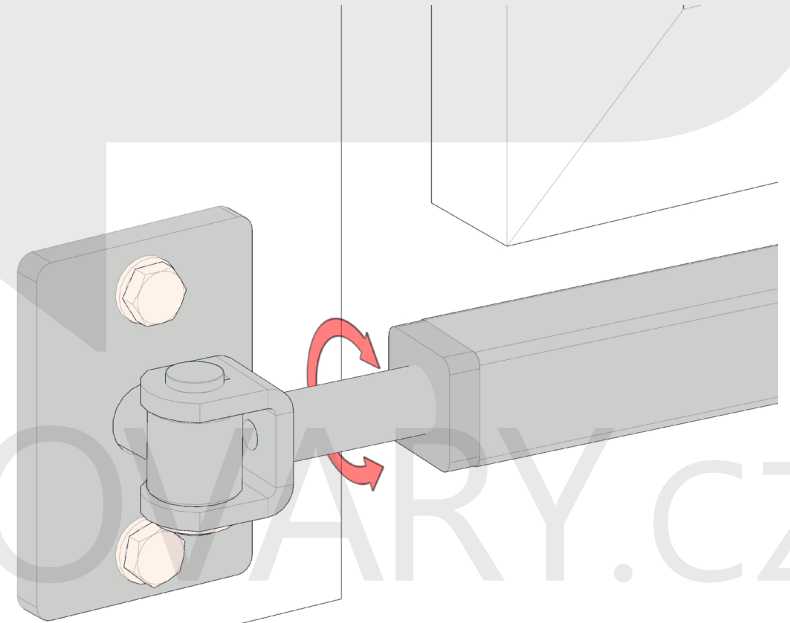
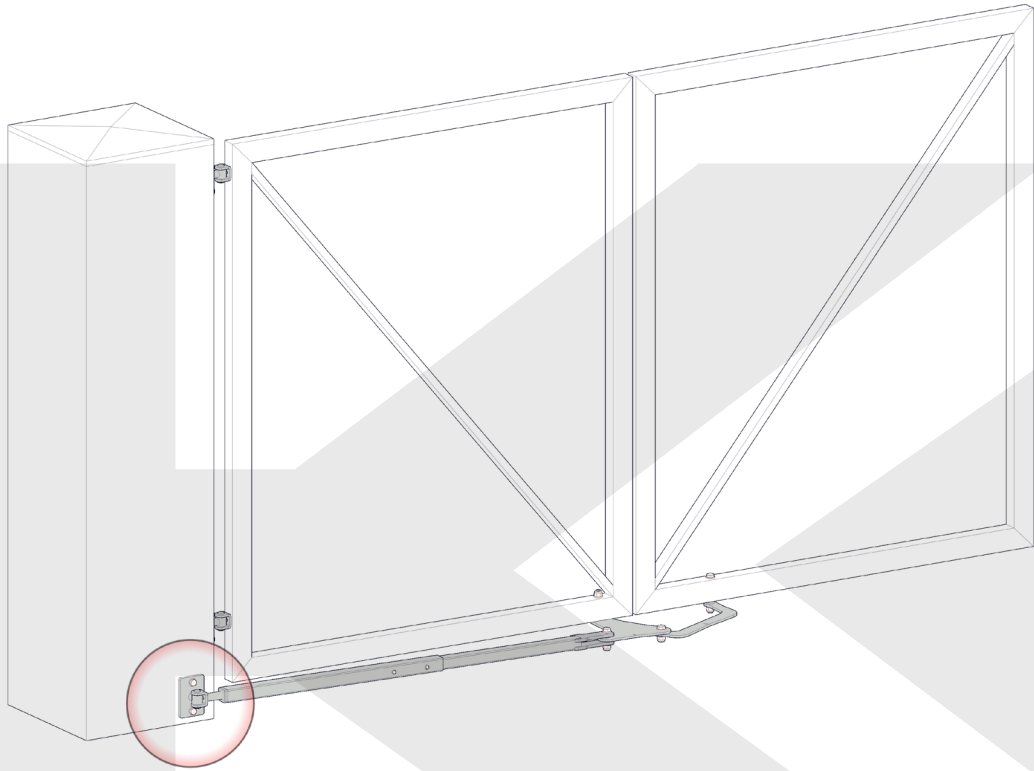


STEP 7



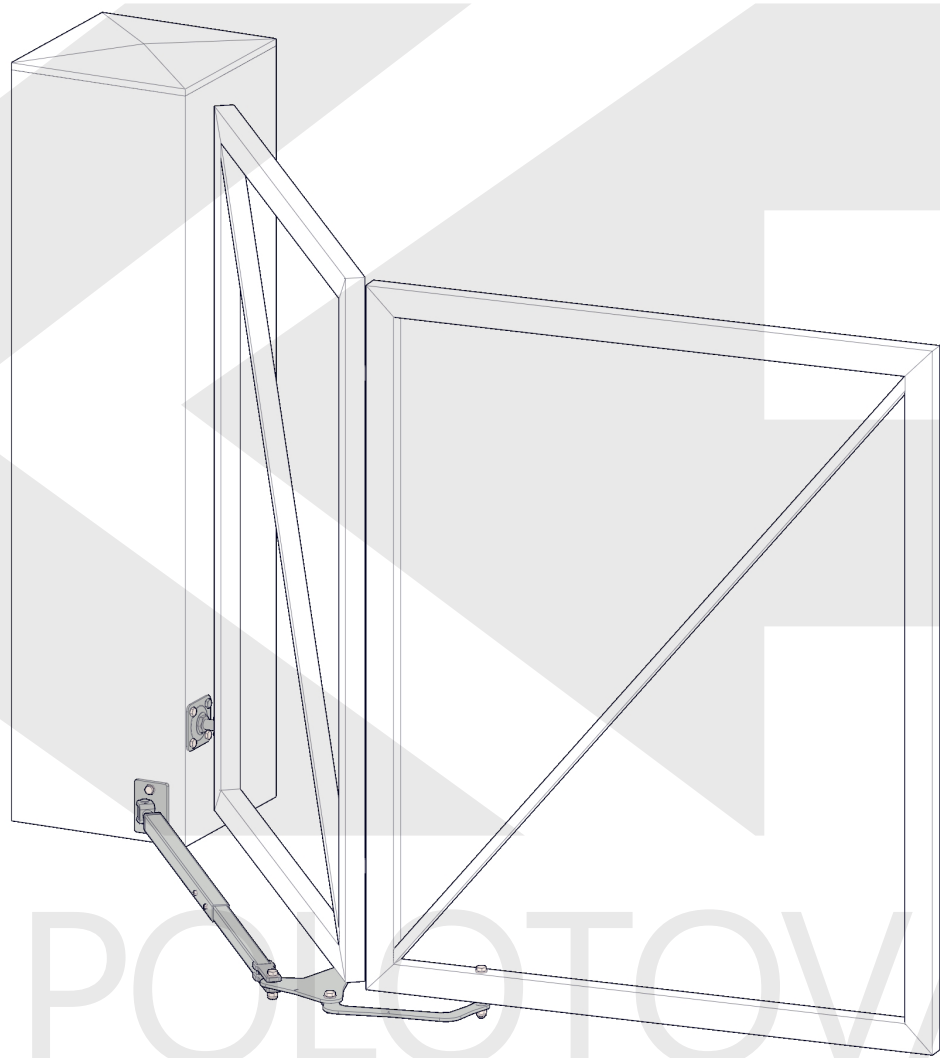
STEP 8

REGULATION



KOVO POLOTOVARY.CZ

STEP 9



KOVOPOLOTOVARY.CZ