

Nice

CE

TUB4000



For industrial sliding gates

EN - Instructions and warnings for installation and use

IT - Istruzioni ed avvertenze per l'installazione e l'uso

FR - Instructions et avertissements pour l'installation et l'utilisation

ES - Instrucciones y advertencias para la instalación y el uso

DE - Installierungs-und Gebrauchsanleitungen und Hinweise

PL - Instrukcje i ostrzeżenia do instalacji i użytkowania

NL - Aanwijzingen en aanbevelingen voor installatie en gebruik

RU - Инструкции и предупреждения по монтажу и эксплуатации

Nice



KOVOPOLOTOVARY.cz

▲ The following warnings are taken directly from the Regulations and apply, as far as possible, to the product described herein

CAUTION Important safety instructions. Follow all instructions as improper installation may cause serious damage

CAUTION Important safety instructions. It is important for you to comply with these instructions for your own and other people's safety. Keep these instructions

- Before commencing the installation, check the "Product technical specifications", in particular whether this product is suitable for automating your guided part. If it is not suitable, DO NOT continue with the installation.
- The product cannot be used before it has been commissioned as specified in the chapter on "Testing and commissioning"

CAUTION According to the most recent European legislation, the implementation of an automation system must comply with the harmonised standards provided by the Machinery Directive in force, which enables declaration of the presumed conformity of the automation. Taking this into account, all operations regarding connection to the electricity mains supply, as well as product testing, commissioning and maintenance, must be performed exclusively by a qualified and skilled technician!

- Before proceeding with the installation of the product, check that all materials are in good working order and suited to the intended applications
- The product is not intended for use by persons (including children) with reduced physical, sensory or mental capacities, nor by anyone with insufficient experience or familiarity.
- Children must not play with the appliance
- Do not allow children to play with the control devices of the product. Keep the remote controls out of reach of children.

CAUTION In order to avoid any danger from inadvertent resetting of the thermal cut-off device, this appliance must not be powered through an external switching device, such as a timer, or connected to a supply that is regularly powered or switched off by the circuit

- Provide a disconnection device (not supplied) in the plant's mains power supply, with a contact opening distance that permits complete disconnection under the conditions dictated by overvoltage category III
- Handle the product with care during installation, taking care to avoid crushing, denting or dropping it, or allowing contact with liquids of any kind. Keep the product away from sources of heat and naked flames. Failure to observe the above can damage the product, and increase the risk of danger or malfunction. If this should happen, stop installation immediately and contact Customer Service.
- The manufacturer assumes no liability for damage to property, items or persons resulting from non-compliance with the assembly instructions. In such cases the warranty for material defects is excluded
- The weighted sound pressure level of the emission A is lower than 70 dB(A)
- Cleaning and maintenance to be carried out by the user must not be carried out by unsupervised children
- Before working on the system (maintenance, cleaning), always disconnect the product from the mains power supply
- Check the system periodically, in particular all cables, springs and supports to detect possible imbalances, signs of wear or damage. Do not use if repairs or adjustments are necessary, because a failure with the installation or an incorrectly balanced automated system may lead to injury
- The packing materials of the product must be disposed of in compliance with local regulations
- Keep persons away from the gate when it is moved through the control elements
- When performing a manoeuvre, keep an eye on the automated mechanism and keep all bystanders at a safe distance until the movement has been completed
- Do not operate the automation if anyone is working on it; disconnect the power supply before permitting any work to be carried out
- If the power cable is damaged, it must be replaced by the manufacturer or by the latter's technical assistance service, or by a similarly qualified person, in order to prevent any type of risk

INSTALLATION PRECAUTIONS

- Prior to installing the drive motor, check that all mechanical components are in good working order and properly balanced, and that the automation moves correctly
- If the gate or door being automated has a pedestrian gate, then the system must include a control device that will inhibit the operation of the motor when the pedestrian gate is open
- Make sure that the control devices are kept far from moving parts but nonetheless in a visible position.
Unless a selector is used, the control devices must be installed at a height of at least 1.5 m and must not be accessible

Special warnings in relation to European directives applicable to the product

- "Construction Products" Regulation: Special warnings for this product in relation to Regulation 305/2011:
 - The full installation of this product, as described in this instruction manual and for certain types of use (e.g. excluding use solely for vehicles) may cause the product to fall within the scope of Regulation No. 305/2011 and its harmonised standard EN 13241-1.
 - It is necessary to apply all the installation criteria to ensure that the product meets the essential requirements of Regulation No. 305/2011; the installer must check and make sure that all these criteria have been scrupulously complied with.
 - The essential requirements might not be guaranteed if the product is installed and used without compliance with one or more of these criteria. It is forbidden to use the product in such circumstances until the installer has verified compliance with the Directive requirements; in this case the "ES13241-1.4870" label attached to the product must be removed immediately and the "EC Declaration of Conformity" (Annex I to this manual) cannot be used. As a result, the installer in turn becomes the manufacturer of the product and must comply with the provisions of Regulation No. 305/2011 and its harmonised standard EN 13241-1. In this case the product must be considered as "partly-completed machinery" and the "Declaration of Conformity" of Annex II can be used (for inclusion in the technical documentation).
- "Low Voltage" Directive:

Special warnings regarding the fitness of use of this product in relation to the "Low Voltage" Directive. This product meets the requirements in the "Low Voltage" Directive, if used for the use and in the configurations specified in this instruction manual and in combination with the items in the Nice S.p.A. product catalogue.

If the product is used in unspecified configurations or with other unspecified products, the requirements may not be guaranteed; the use of the product in such circumstances is prohibited until the installer has verified compliance with the specified requirements of the directive.

- “Electromagnetic compatibility” Directive:
Special warnings regarding the fitness of use of this product in relation to the “Electromagnetic compatibility” Directive.
This product has been subjected to electromagnetic compatibility tests in the most critical situations of use and in the configurations specified in this instruction manual and in combination with the items in the Nice S.p.A. product catalogue.
If the product is used in unspecified configurations or with other unspecified products, the electromagnetic compatibility may not be guaranteed; the use of the product is prohibited in such circumstances until the installer has verified compliance with the specified requirements of the directive.

Installation criteria and special warnings in connection with essential requirements

- When installed correctly, this product meets the essential requirements laid down in Regulation No. 305/2011 according to the requirements in harmonised standard EN 13241-1, as indicated in Table 1 and in the European directive on “Machinery” 2006/42/EC.
- Release of dangerous substances:
The product does not contain and/or release hazardous substances in accordance with the requirements of EN 13241-1, 4.2.9 and according to the list of substances on the website of the European Community
Special warning to ensure the continued compliance with the requirement – It is essential that the other materials used in the installation, such as electrical cables, comply with this requirement.
- Safe opening for horizontally moving doors: the product does not cause uncontrolled movements.
Special warnings to ensure continued compliance of the requirements:
 - Install the product carefully following all the instructions described in Chapter “2 - Installation” and Chapter “4 - Testing and commissioning”.
 - Ensure that a maintenance schedule is organised which scrupulously complies with all the provisions in the Chapter “Maintenance Schedule”.
- As regards the risks of crushing and impact, the sliding closures are protected by means of one of these three methods:
 - 1** - For operation with “hold-to-run command” (man present): as specified in EN 12453, point 5.1.1.4. In this case the command button must be placed in view of the automation and if it is accessible to the public, the command button must not be available to them, e.g. use only with a key switch.
 - 2** - For “Semi-automatic” operation: through the use of an active sensitive edge for limiting the forces as specified in EN 12453, paragraphs 5.1.1.5 and 5.1.3.
 - 3** - For “automatic” operation: through the use of an active sensitive edge for limiting the forces as specified in EN 12453, paragraphs 5.1.1.5 and 5.1.3; in this case, at least one pair of photocells must be installed as shown in Fig. 2.

KOVOPOLOTOVARY.cz

TUB4000

ENGLISH

Instructions translated from Italian

Contents

GENERAL WARNINGS: SAFETY - INSTALLATION - USE	1
1 - PRODUCT DESCRIPTION AND INTENDED USE	3
2 - INSTALLATION.....	3
2.1 - Tests prior to installation.....	3
2.2 - Product application limits	3
2.3 - Typical system	4
2.4 - Installation of the gear motor	4
2.5 - Installation of the various devices to the control unit	4
3 - ELECTRICAL CONNECTIONS	5
4 - TESTING AND COMMISSIONING.....	7
4.1 - Testing	7
5 - INTEGRATED CONTROL UNIT DPRO500	8
5.1 - Product description and intended use	8
6 - INSTALLATION.....	8
6.1 - Tests prior to installation.....	8
6.2 - Product application limits	8
6.3 - Installation of the control unit	8
7 - ELECTRICAL CONNECTIONS	9
7.1 - Connecting the three-phase power supply cable	9
7.2 - Connecting the single-phase power supply cable.....	9
7.3 - Changing the power supply through the jumper	9
7.4 - Description of the electrical connections: power supply, safety and control devices, and accessories	9
7.5 - Electrical connections of the control unit	10
7.6 - STOP SAFETY EDGE Input	12
7.7 - Connecting a radio receiver	12
7.8 - Initial startup and electrical connections test	12
7.9 - Total deletion of the control unit memory	12
7.10 - Recognition of the connected devices and the Opening and Closing positions.....	12
7.10.1 - Recognition of the Opening and Closing positions with mechanical limit switch.....	13
7.11 - Operating modes.....	13
7.12 - Overview programming unit.....	13
8 - TESTING AND COMMISSIONING.....	14
8.1 - Testing	14
8.2 - Commissioning	14
9 - INSTALLATION AND ELECTRICAL CONNECTION OF TWO CONTROL UNITS FOR LEAVES MOVING IN OPPOSITE DIRECTIONS.....	14
10 - FURTHER DETAILS AND DIAGNOSTICS.....	15
10.1 - Further details	15
10.1.1 - Signals when switching ON	15
10.1.2 - Other functions	15
10.2 - Diagnostics	16
11 - BASIC TROUBLESHOOTING.....	16
12 - PRODUCT DISPOSAL	17
13 - TECHNICAL SPECIFICATIONS	17
CE DECLARATION OF CONFORMITY.....	18
USER GUIDE (detachable insert)	19

▲ IMPORTANT!
Before performing any type of operation or procedure, read carefully the general instructions (page 1) and the application limits (paragraph 2.2)

1 PRODUCT DESCRIPTION AND INTENDED USE

TUB4000 is a sliding gate gear motor of significant dimension for industrial use, with built-in control unit DPRO500 and is also prearranged for the inclusion of NICE receivers.

The gear motor, which functions electrically, can be disengaged by means of a key, thereby allowing the gate to be opened manually.

CAUTION! – All uses other than the intended use described and use in environmental conditions other than those described in this manual should be considered improper and forbidden!

2 INSTALLATION

▲ The TUB4000 must be installed exclusively by qualified technical personnel in compliance with current laws, standards and regulations, and with the instructions provided in this manual.

2.1 - Tests prior to installation

Before proceeding with installation, check the condition of the product components, suitability of the selected model and conditions of the intended installation environment:

- Check that all the materials are in good working order and suited to the intended use.
- Check that all conditions of use fall within the “application limits” of the product (paragraph 2.2) and the value limits shown in the “Product technical characteristics”.
- Check that the installation location is compatible with the overall dimensions of the product (**Fig. 1**).
- Check that the surface chosen for installing the product is solid and can ensure stable attachment.
- Make sure that the installation area is not subject to flooding; if necessary, the product may be installed, appropriately raised above ground level.
- Check that the space around the product allows safe and easy access.
- Check that all electrical cables to be used belong to the type listed in Table 2.
- Check that the automation has mechanical stops in both the opening and closing phases.

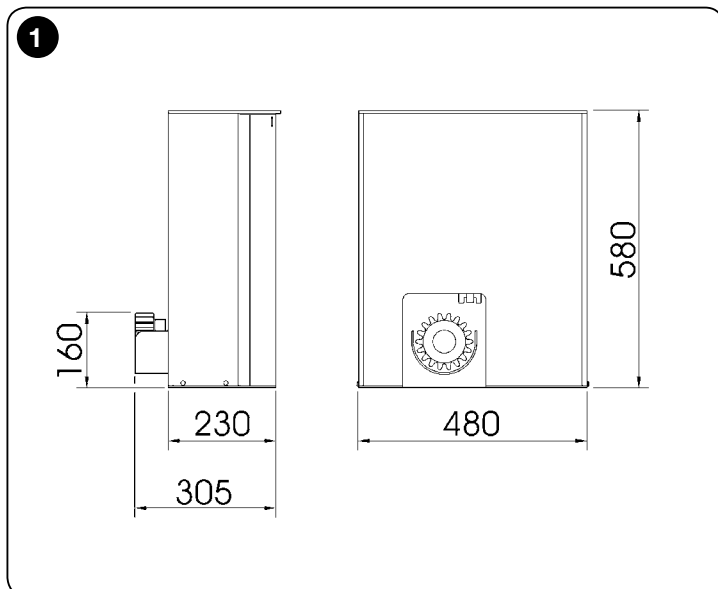
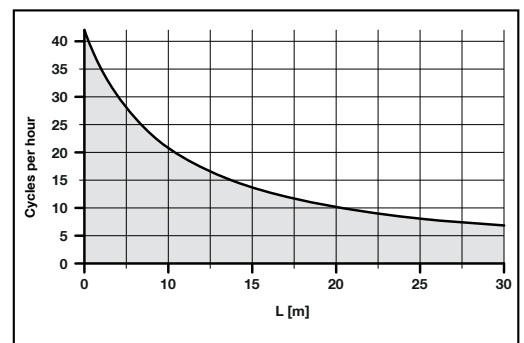
2.2 - Product application limits

The data relative to the TUB4000 performances is indicated in Chapter 13 (“Technical specifications”) and is the only data that allows for correctly determining whether the product is suitable for its intended use. In general, TUB4000 is able to automate gates weighing up to 4,000 kg or up to 30 m long, according to the data shown in Table 1 below.

TABLE 1

Length of leaf in metres	Maximum cycles/hour
Up to 5	42
5÷10	21
10÷15	14
15÷20	10
20÷25	8
25÷30	7

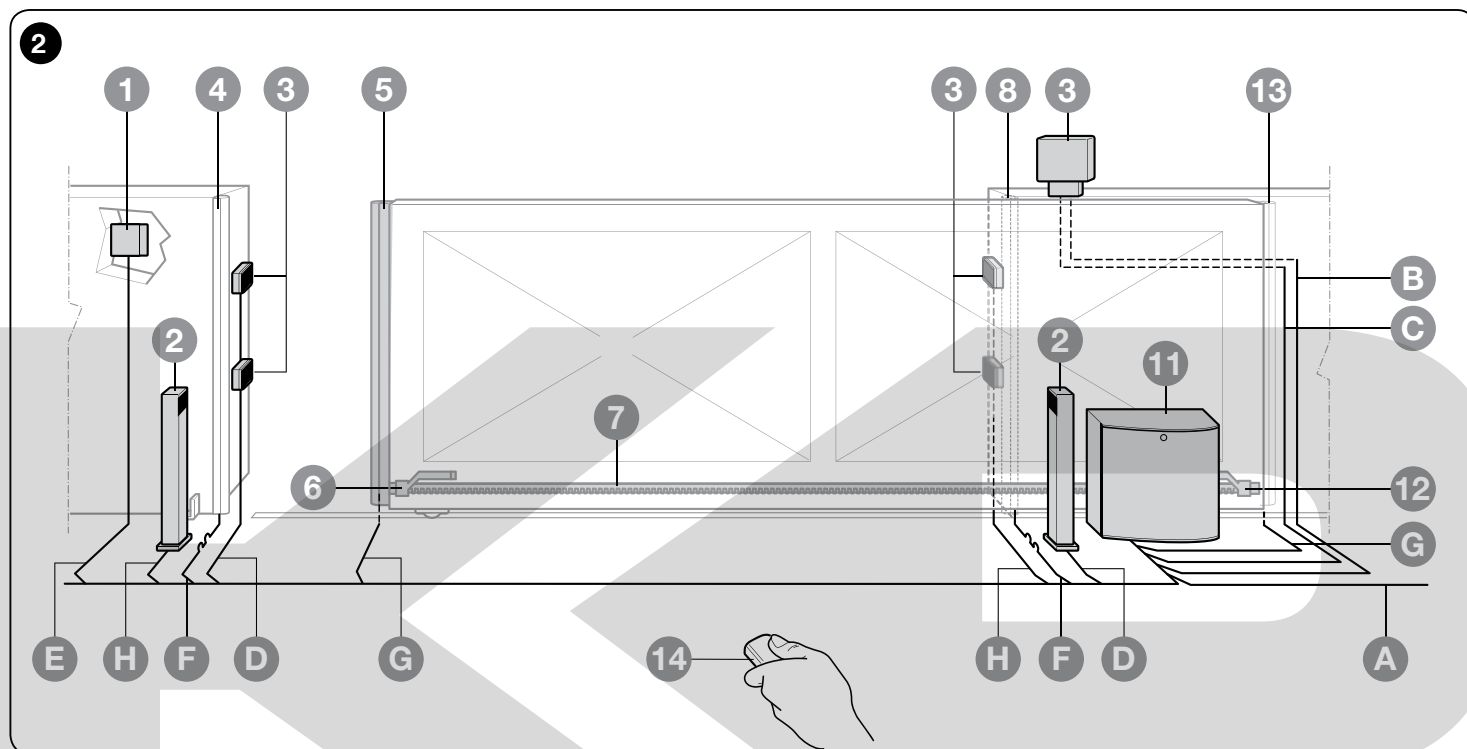
Graphic representation of the cycles per hour in relation to the length of the gate leaf.



2.3 - Typical system

The **figure 2** below indicates a typical sliding gate automation system using the TUB4000.

- 1 Key operated selector switch
- 2 Photocell on post
- 3 FOTO photocells
- 4 Main fixed edge (optional)
- 5 Main moveable edge
- 6 "Open" stop bracket
- 7 Rack
- 8 Secondary fixed edge (optional)
- 9 Flashing light
- 10 Aerial
- 11 Motor
- 12 "Closed" stop bracket
- 13 Secondary moveable edge (optional)
- 14 Radio transmitter



2.4 - Installation of the gear motor

If a base for the gear motor already exists, fixing must be performed directly to the surface by means of expansion bolts.

If this is not so, it is necessary to:

01. Dig an adequately large foundation hole.
02. Prepare one or more conduits for the electrical cables as shown in **fig. 5**.
03. Assemble the four clamps on the foundation plate setting one nut underneath and one on top of the plate as in **fig. 3** so that the threaded section protrudes out of the plate as much as possible.
04. Pour the concrete and, before it starts to harden, set the foundation plate checking that it is parallel to the leaf and perfectly level as shown in **fig. 5**. Wait for the concrete to harden completely.
05. Remove the body from the gear motor following the procedure shown in **fig.7** in reverse order.
06. Place the gear motor on top of the foundation plate and make sure it is perfectly parallel to the leaf, then secure it by tightening the 4 nuts with washers to the respective clamps as shown in **fig. 6**.
07. Release the pinion as shown in the "Release and manual movement" paragraph in the Chapter "Instructions and Warnings for users of the TUB4000 gear motor".
08. Open the leaf up completely and place the first piece of the rack on the pinion and check that the beginning of the rack corresponds to the beginning of the leaf. Make sure that there is at least 2÷3 mm of play between the rack and the pinion, then fasten the rack to the leaf using suitable means.
09. Slide the leaf, using the pinion as a reference point for the fastening of the other elements of the rack.
10. Cut away any excess of the rack.
11. Open and close the gate several times and make sure that the rack is aligned with the pinion with a maximum tolerance of 10- 15 mm. Moreover, check that the play of 2-3 mm between the pinion and the rack has been respected along the entire length.
12. Fix the two "Opening" and "Closing" limit switch brackets with the relative dowels to the outer sides of the rack as shown in **fig. 4**. Considering that the leaf will slide for a further 2÷3 cm after the limit switches have activated, the brackets should be positioned at a sufficient distance from the mechanical stops.
13. Perform the operation described in point 7 in reverse and block the pinion.

14. Secure the body to the TUB4000 as shown in **fig. 7** and ensure that the limit switch lever positioned above the pinion moves freely.

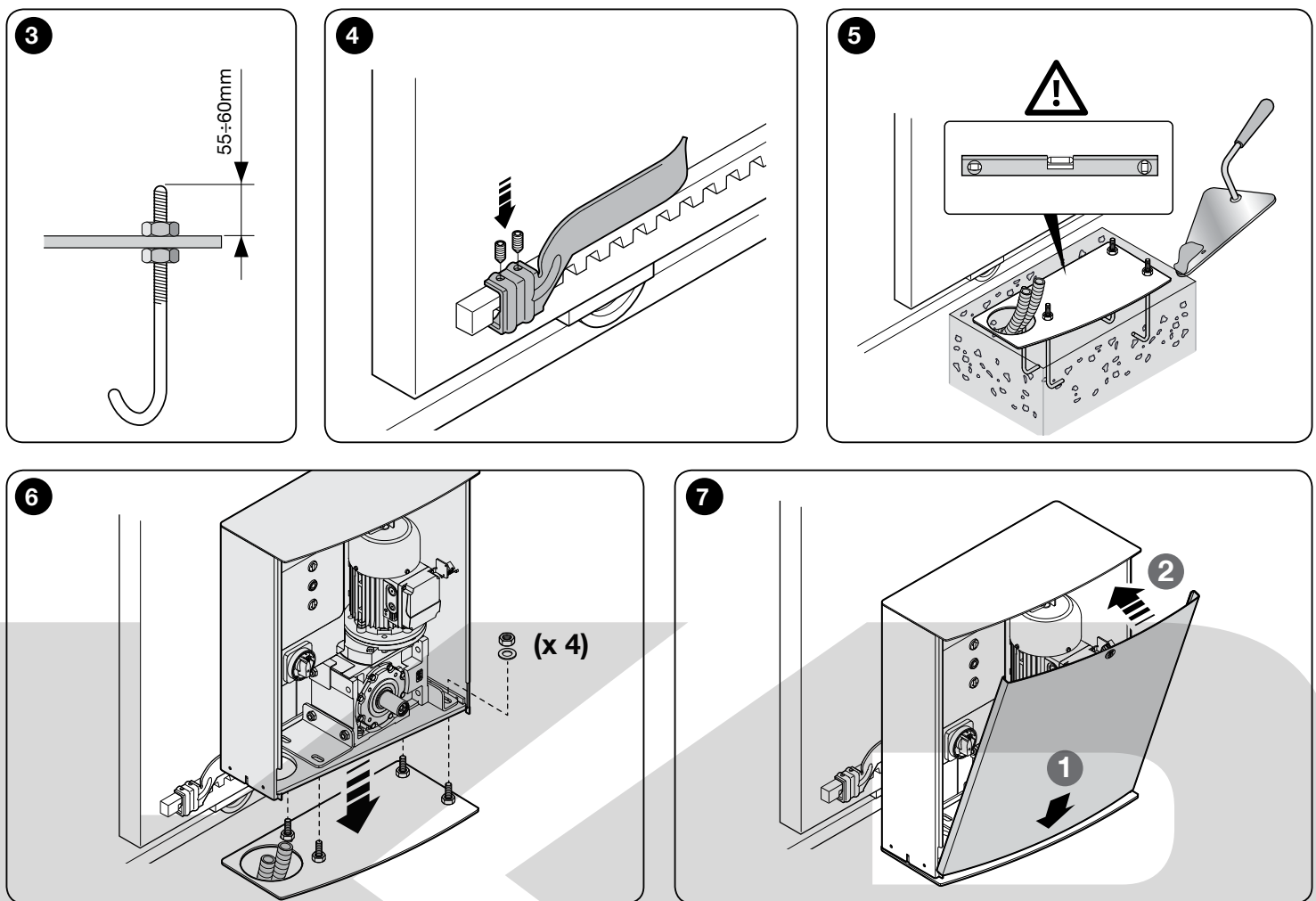
15. Close the gear motor door and make sure that the safety microswitch positioned to the right of the electric motor is activated.

▲ In order to prevent the weight of the leaf from affecting the gear motor, it is important that there is a play of 2÷3 mm between the rack and the pinion.

2.5 - Installation of the various devices to the control unit.

Perform the installation of all foreseen devices following the respective instructions. Check in Chapter 7 (DPRO500) which devices can be connected to the TUB4000.

CAUTION! – The electrical connections must be performed by skilled and qualified personnel in strict observance of current legislation, standards and regulations with the system disconnected from electricity supply.



3 ELECTRICAL CONNECTIONS

Fig. 3 shows the cables needed for the connection of various devices in a typical installation; Table 2 shows the cable characteristics.

The cables used must be suitable for the type of installation. For example, an H05VV-F type cable is recommended for indoor applications or an H07RN-F if fitted externally.

TABLE 2 - Technical specifications of electrical cables (Fig. 2)

Connection	Cable type	Maximum admissible length
A: Power line	1 - 4x1.5mm ² cable	30 m (note 1)
B: Flashing light	1 - 2x1mm ² cable	20 m (note 7)
C: Aerial	1 RG58 type shielded cable	(recommended less than 5 meters)
D: Transmitter photocells	1 - 2x0.25mm ² cable	30 m (note 3)
E: Key operated selector switch	2 - 2x0.25mm ² cables	50 m (note 2)
F: Fixed edges	1 - 2x0.5mm ² cable	30 m (note 4 - 6)
G: Moveable edges	1 - 2x0.5mm ² cable	30 m (note 4 - 5 - 6)
H: Receiver photocells	2 - 2x0.25mm ² cables	30 m (note 2 - 3)

Note 1 – Power supply cables longer than 30 m may be used provided they have a larger gauge, e.g. 4x2.5mm², and a safety earthing system is provided near the automation unit.

Note 2 – A single 4x0.25mm² cable can be used instead of two 2x0.25mm² cables.

Note 3 – Use shielded cables if the length exceeds 30 m, connecting the braid to earth only on the control unit side

Note 4 – Several safety edges may be necessary in particular applications. See the instructions manual for the advised type of connection if there is more than one edge.

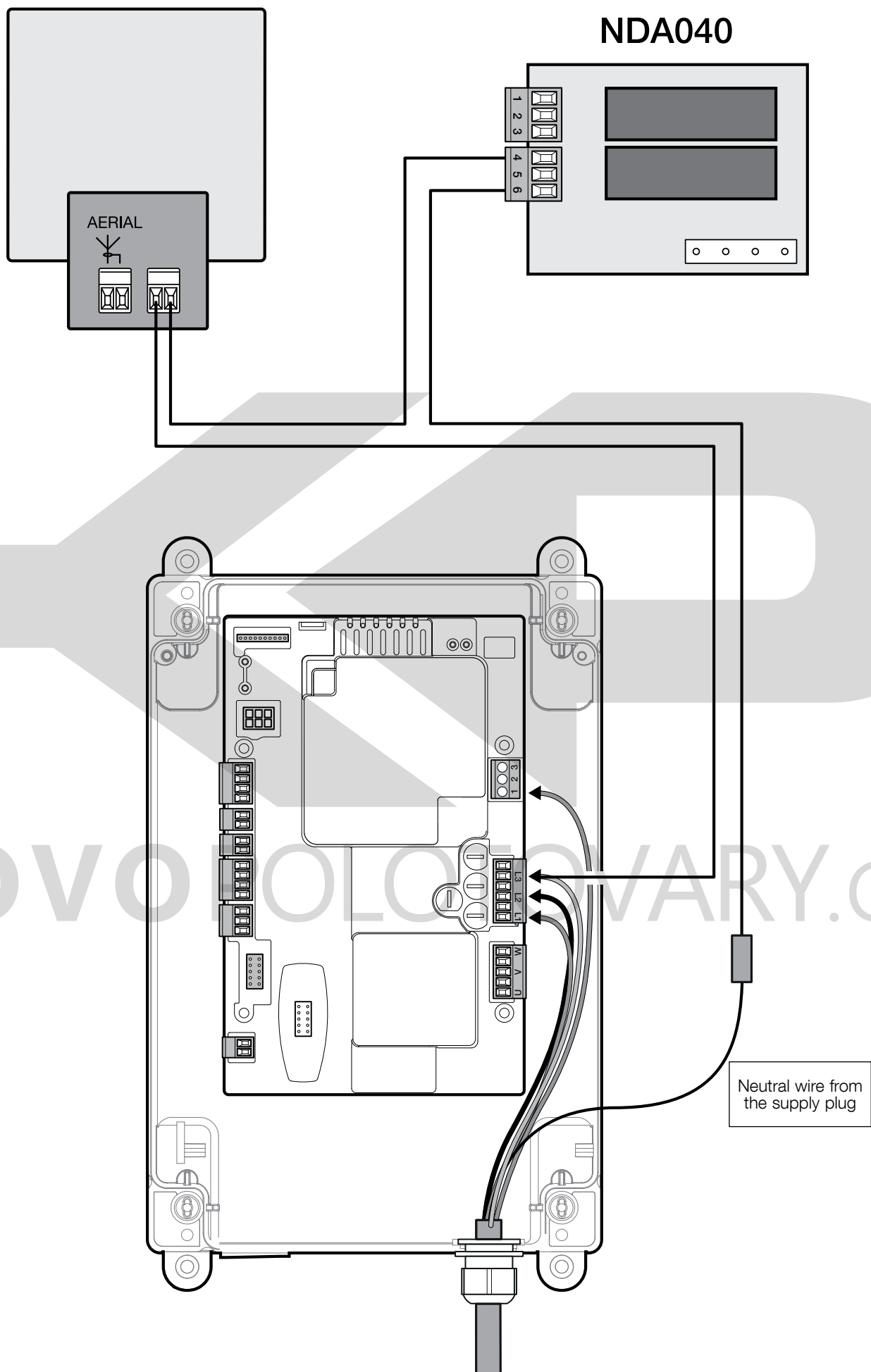
Note 5 – Special devices which enable connection even when the leaf is moving must be used to connect movable edges to sliding leaves.

Note 6 – The necessary number of conductors to connect the moveable and fixed edges depends on the method used to guarantee the required safety category. The example refers to the TCB65 edges connected to the TCE interface.

Note 7 – It is possible to connect a 230 VAC warning light. See Fig. A for the connection.

CAUTION! – The cables used must be suited to the type of environment of the installation site.

After making the electrical connections, consult Chapter 7 (DPRO500) for information on the initial start-up procedures, and recognition of the safety devices and limit switches.



4 TESTING AND COMMISSIONING

The testing and commissioning phases are the most important when creating an automated system in order to ensure maximum safety. The testing procedure can also be performed as a periodic check of the automation devices.

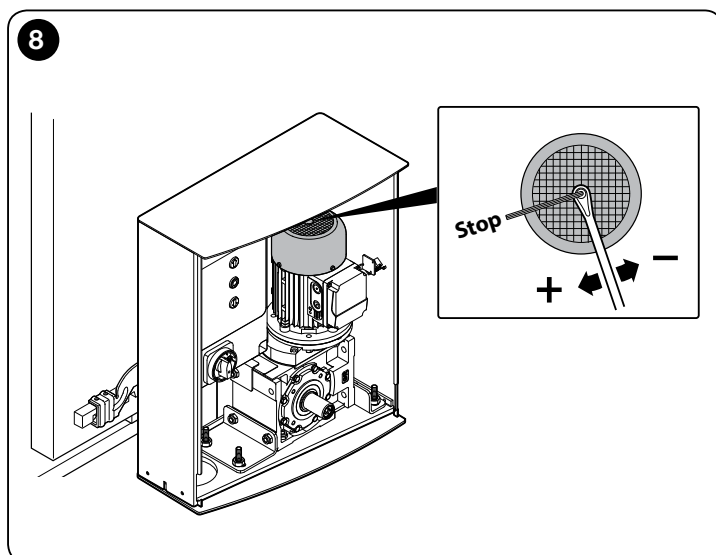
These phases must be performed by qualified and experienced personnel who must take charge of establishing the tests necessary to verify the solutions adopted in respect of risks and verify the compliance of the system with applicable standards, legislation and regulations, in particular all requirements of the standard EN 12445 which establishes the test methods for checking automated systems for doors and gates. The additional devices must undergo specific testing, both in terms of their functions and in terms of their interaction with the control unit; therefore, you need to refer to the instruction manuals for the individual devices.

4.1 - Testing

The sequence of steps to be performed when running the testing phase, as described below, refers to a typical system (Fig. 2):

- 1 Check that all the instructions in the "Installation warnings" chapter have been rigorously complied with.
- 2 Using the control devices (transmitter, push button, key switch, etc.), test the Opening, Closing and Stopping of the gate, ensuring that the movement of the gate leaves corresponds to specifications. Test several times to assess the movement of the gate and check for any defects in assembly or adjustment and for any particular points of friction.
- 3 Check, one by one, that all the safety devices featured in the system (photo-cells, sensitive edges, etc.) work properly.
- 4 If the dangerous situations caused by the movement of the gate leaves have been safeguarded against by limiting the impact force, the impact force must be measured according to the EN 12445 standard.
- 5 Check that the stopping distance of the gate is 2-3 cm, otherwise adjust the mechanical brake as follows (fig. 8):
 - a. Give the nut on the motor shaft a half turn in a clockwise direction;
 - b. If the half turn isn't enough, turn the nut a little bit more;
 - c. Be careful not to over tighten the nut because it could completely block the electric motor.

⚠ Before adjusting the mechanical brake, the power supply must be turned off placing the main switch on the control unit in the "OFF" position.



5 INTEGRATED CONTROL UNIT DPRO500



⚠ IMPORTANT!

Before performing any type of operation or procedure, read carefully the general instructions (page 1) and the application limits (paragraph 6.2)

5.1 - Product description and intended use

The **DPRO500** control unit is designed to control electromechanical actuators for automating gates, sectional doors or shutters.

CAUTION! – All uses other than the intended use described and use in environmental conditions other than those described in this manual should be considered improper and forbidden!

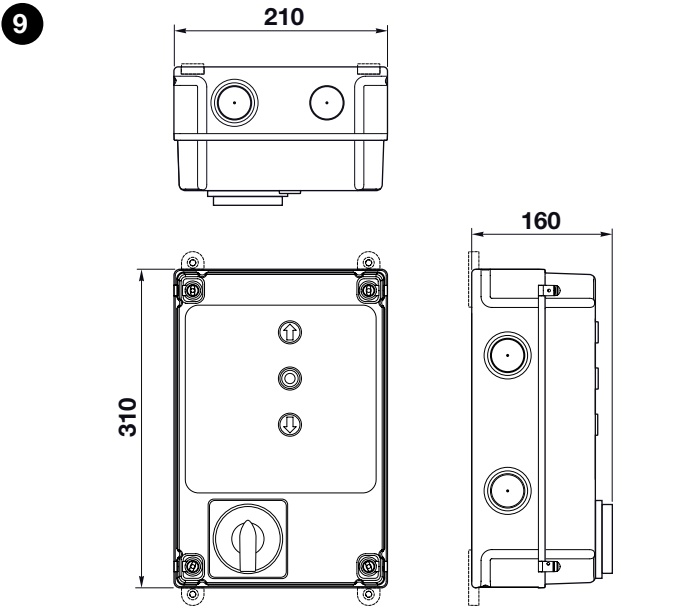
The control unit can be connected to all common safety elements. To open and close a gate, you only need to operate the appropriate button installed on the cover or the external button or via a radio receiver.

6 INSTALLATION

6.1 - Pre-installation checks

Before proceeding with installation, check the condition of the product components, suitability of the selected model and conditions of the intended installation environment:

- Check that all the materials are in good working order and suited to the intended use.
- Check that all conditions of use fall within the “application limits” of the product (paragraph 6.2) and the value limits shown in the “Product technical characteristics”.
- Check that the installation location is compatible with the overall dimensions of the product (**Fig. 9**).
- Check that the surface chosen for installing the product is solid and can ensure stable attachment.
- Make sure that the installation area is not subject to flooding; if necessary, the product may be installed, appropriately raised above ground level.
- Check that the space around the product allows safe and easy access.
- Check that all electrical cables to be used belong to the type listed in Table 1.
- Check that the automation has mechanical stops in both the opening and closing phases.



6.2 - Product application limits

The product is only to be used as indicated in the following table:

Control unit power supply	Type of motor*
Three-phase 3x400 Vac - 50/60Hz	Three-phase 3x400 V AC – 50/60 Hz – with Nice encoder or mechanical limit switches
Single-phase 1x230 Vac - 50/60Hz	Single-phase 1x230 V AC – 50/60 Hz – with Nice encoder or mechanical limit switches

(* In respect of the corresponding application limits.

For single-phase motors, see Paragraph 7.2.

⚠ CAUTION! – The control unit described in this instruction manual cannot be used in areas subject to the risk of explosion.

Important – Before installation, prepare the electrical cables required for the system, by referring to “Table 1 - Technical specifications of electrical cables”.

⚠ Caution! – When laying the ducting for routing the electrical cables and for the cable entry point into the control unit housing, be aware that due to possible deposits of water in the junction wells, the connection ducts might create condensate in the control unit, with consequent damage to the electronic circuits.

6.3 - Installation of the control unit

Proceed as follows when installing the control unit:

- 01. Open the control unit box:** unscrew the screws as shown in **Fig. 10-A / Fig. 10-B**;
- 02.** Prepare the holes for routing the electrical cables for the accessories providing control and/or signalling functions. For this purpose, we recommend using a special tool (e.g. hole cutter) on the marked positions at the bottom of the box, also to ensure maintaining the level of IP protection. If necessary, you can use the lateral cable entry points, but only by using suitable ducting connections;

TABLE 1 - Technical specifications of electrical cables

Connection	Cable type	Maximum admissible length
CONTROL UNIT POWER SUPPLY Cable - three-phase - single-phase	4 x 1 mm ² 3 x 0,75 mm ²	5 m (note 1) 2 m (note 1)
MOTOR cable	special cables for Nice gearmotors are on sale as accessories. for other brands, contact the motor manufacturer	5 - 7 - 11 m
Cable for FLASHING LIGHT with aerial	2 x 1 mm ² (for 230 V AC flashing light) RG58 type shielded cable (aerial)	10 m
PHOTOCELL cable	4 x 0,5 mm ²	10 m
KEY SWITCH cable	2 cables 2 x 0.25 mm ²	10 m (note 2)
SPIRAL cable for safety edge	Nice spiral cable is available as an accessory	50 m

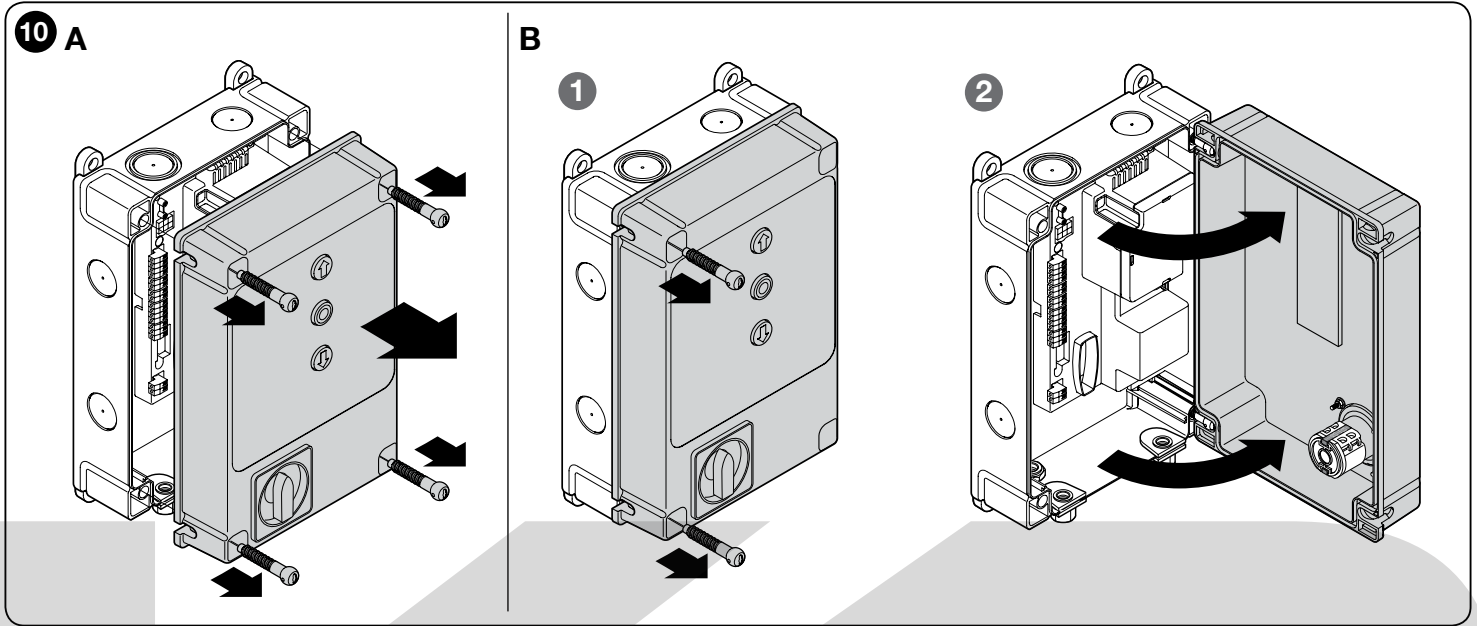
Note 1 – If the power cable exceeds the maximum allowed length, a cable with larger cross-section must be used

Note 2 – These two cables may be replaced by a single 4 x 0.5 mm² cable.

CAUTION! – The cables used must be suited to the type of environment of the installation site.

03. At this point, you can make all the electrical connections: see Chapter 7.

To install the other devices used on the automated system, refer to the respective instruction manuals.



7 ELECTRICAL CONNECTIONS

CAUTION!

- Before you proceed to make any electrical connections make sure that the power supply is disconnected;
- Connections must only be carried out by qualified personnel.
- You must put a device on the electricity supply line that ensures complete disconnection of the automated mechanism from the mains supply. The disconnection device must have contacts with an opening distance large enough to permit complete disconnection under the conditions sanctioned by overvoltage category III, in accordance with installation regulations. The device ensures quick, safe disconnection from the power supply if needed, and must therefore be in a position that is visible from the automation mechanism. If, on the other hand, it is located in a position which is not visible, there must be a system for preventing accidental or unauthorised reconnection to the mains supply to prevent this risk. The disconnection device is not supplied with the product.

- Selecting the power supply voltage:

The control unit can function correctly with three-phase or single-phase power (see wiring diagrams), with either 400 V or 230 V voltage.

The default setting is three-phase 400 V power supply voltage.

To select the 230 V single-phase power supply, observe the instructions specified in Chapter 7.2

7.1 - Connecting the three-phase power supply cable

To make the electrical connection refer to Fig. 11.

A 16 A CEE plug must be connected to terminals L1, L2 and L3 and to the PE terminal.

7.2 - Connecting the single-phase power supply cable

To make the electrical connection refer to Fig. 12.

A Schuko plug must be connected to terminals L1 and L3 and to the PE terminal.

7.3 - Changing the power supply through the jumper

The power supply to the control unit can be changed through the jumper, as explained below (Fig. 13)

01. Remove the top cover
02. Extract the jumper (default position 3 x 400 V) using needle-nose pliers
03. Insert the jumper (1 x 230 V)
04. Re-insert the top cover

7.4 - Description of the electrical connections (Fig. 14): power supply, safety and control devices and accessories

You can connect control devices with "Normally Open" (NO) or "Normally Closed" (NC) contacts to the 8, 9, 10 and 11 inputs. You can then make use of one of these inputs or a combination thereof, as well as the STOP/ALT inputs if

appropriate, to connect an external push button panel, for example, or a switch with a rope connected to the ceiling.

PUSH BUTTONS - Input for connecting the push button panel on the cover of the box.

ENCODER - Input for connecting the wiring of the electronic limit switch (Nice encoder). Not usable in this version.

COMMON (8) - 24 V DC input that acts as a common input for the OPEN, CLOSE and ING1 inputs and positive for power supply to the services.

OPEN (9) - Input for devices which control only the opening movement. It is possible to connect contacts of the "Normally Open" type to this input.

CLOSE (10) - Input for devices which control only the closing movement. It is possible to connect contacts of the "Normally Open" type to this input.

ING1-photo- (11) - Normally Closed (NC) input for devices that control the movement of the automation. If this input is properly programmed with the Nice Oview programmer, you can get the following operating modes:

- Step-by-step
- Partial Open
- Open
- Close
- Photo (default)
- Photo 1
- Alt in opening
- Alt in closing

For a description and instructions on how to program the available functions, refer to the Oview function sheets for DPRO500.

ALT - Input for devices that stop a manoeuvre when in progress; connect contacts of the "Normally Closed" type.

SAFE - Input for connecting the thermal protection device of the motor.
CAUTION! - It is only used for motors with mechanical limit switches. Leave "unconnected" with motors which have electronic limit switches.

LIMIT SWITCH - Input for connecting mechanical limit switches.

- (1) limit switch common
- (2) limit switch open
- (3) pre-limit switch close
- (4) limit switch close

STOP - Input for connecting resistive sensitive edges (8k2) or optical sensitive edges (OSE), as described below (Fig. 15):

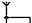
OSE Connection:

- 5 → positive 12 V DC (+) (brown wires)
- 6 → signal (S) (green wires)
- 7 → GND negative (-) (white wires)

8k2 Connection:

- Connect the 8.2 kΩ resistor between terminals 6 (signal - S) and 7 (negative - GND)

IBT4N - Input for connecting the Oview programmer, with the IBT4N adapter. **CAUTION** - disconnect the power supply before connecting/disconnecting the programmer.

ANTENNA  - Input for connecting the radio receiver aerial (Note: the aerial is built into the Nice LUCY B, MBL and MLBT flashing lights).

OUT (CONNECTOR FOR NDA040) - Connector for NDA040 accessory card that adds two outputs to voltage-free contacts. These outputs can be properly programmed with the Nice Oview programmer. For a description and instructions on programming the available functions, see the NDA040 accessory board manual.

MOTOR - Output for connecting the single-phase and three-phase motor.

For single-phase motors:

U - common

V - opens

W - closes

LINE - Input for connecting the power supply.

L1-L2-L3: THREE-PHASE connection

L1-L3: SINGLE-PHASE connection

 **PE** - Input for the earth connection for the control unit and motors.

IMPORTANT!

We DO NOT recommend that you connect any device or accessory not mentioned in this instruction manual.

The manufacturer declines all responsibility whatsoever for any damage due to improper use of the various system devices that does not comply with the instructions in this manual.

For more information, please contact the Nice Customer Service.

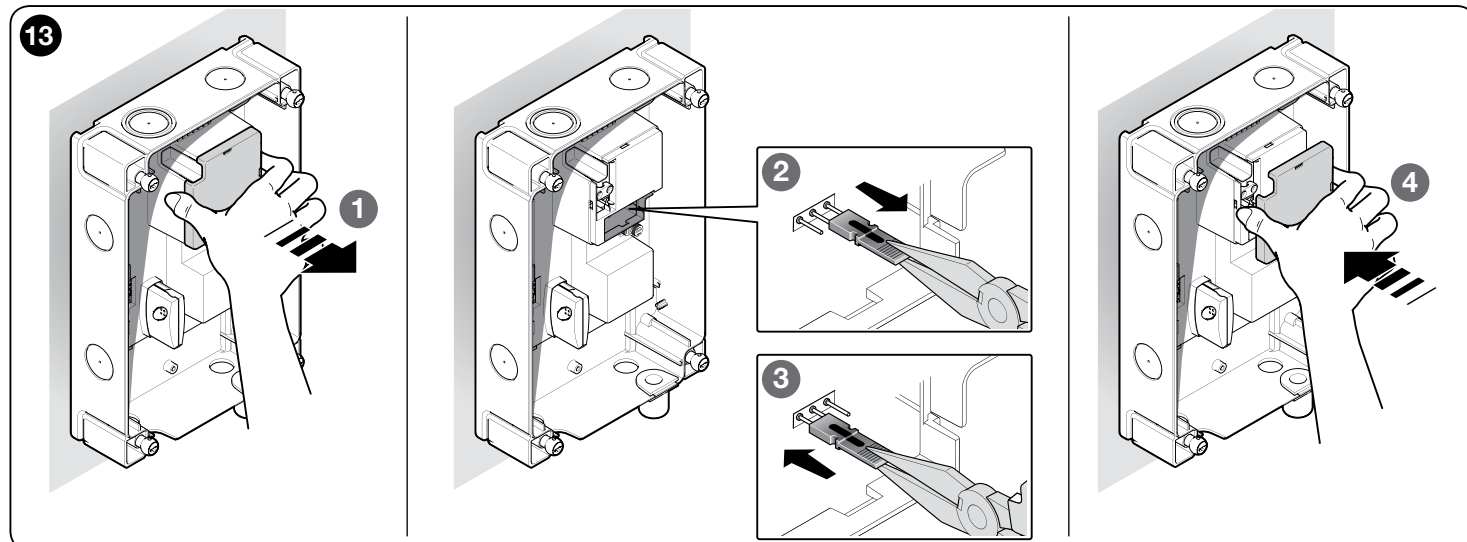
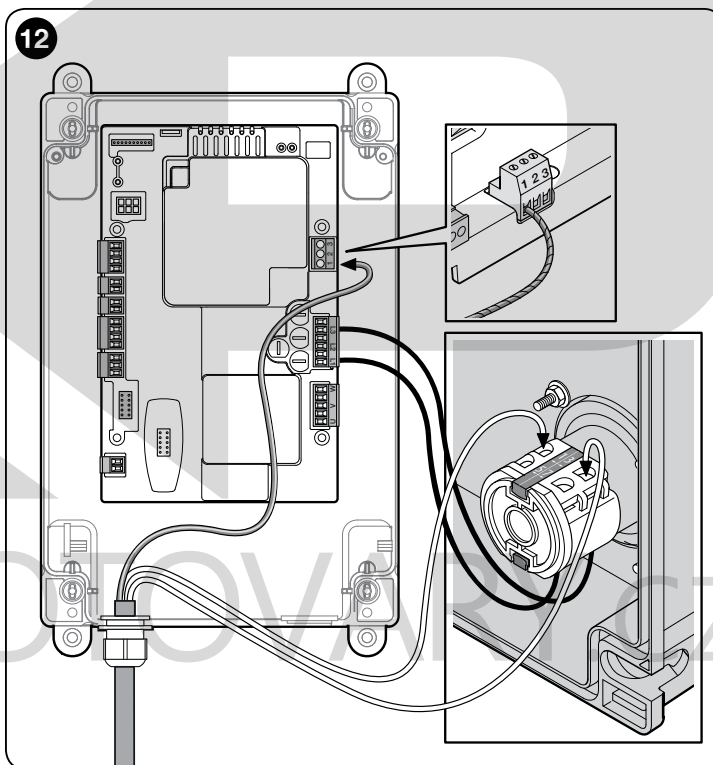
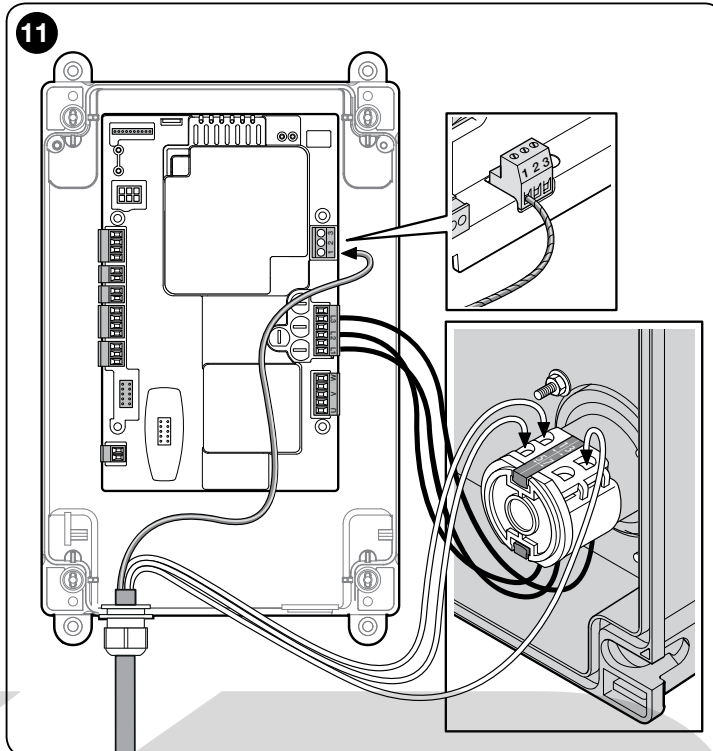
7.5 - Electrical connections of the control unit



CAUTION! – Before you proceed to make any electrical connections make sure that the mains power supply is disconnected.

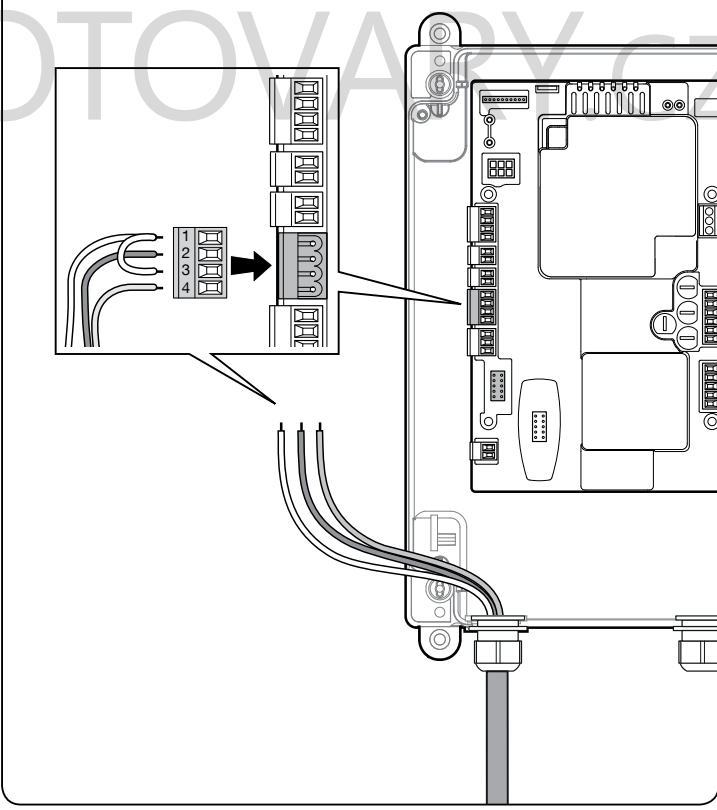
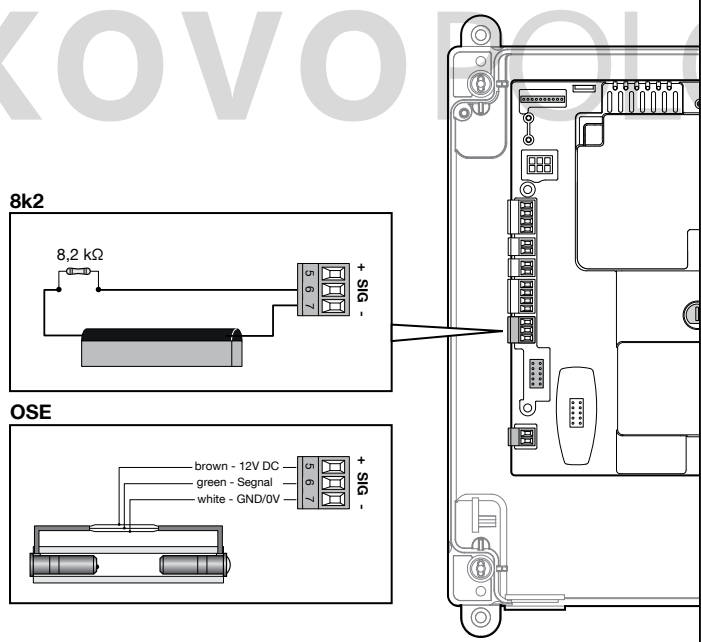
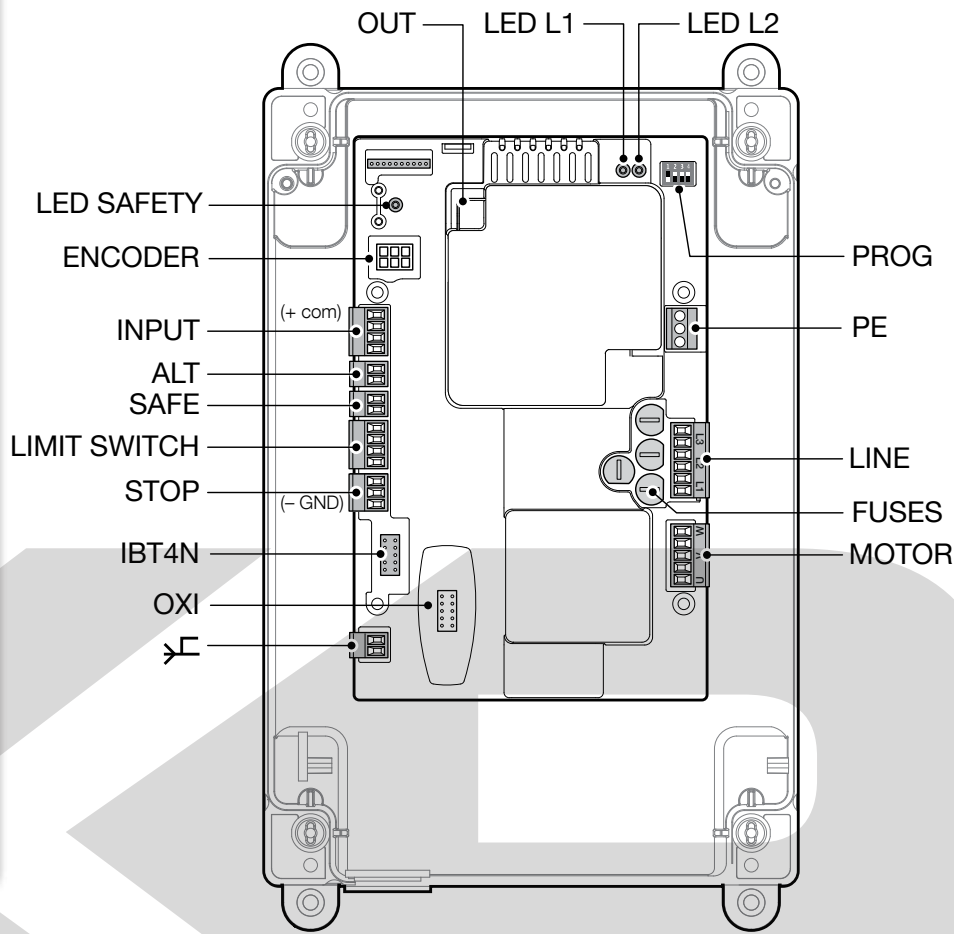
After attaching the control unit box and preparing the holes for routing the electrical cables (see paragraph 6.3), make the electrical connections as follows:

- 01.** First connect the power supply cable:
 - for the **three-phase** line see Paragraph 7.1 and **Fig. 11**
 - for the **single-phase** line see Paragraph 7.2 and **Fig. 12**
- 02.** Then, connect the power supply cable from the motor:
 - Motor with mechanical limit switch (**Fig. 16**)
- 03.** Lastly, connect the electrical cables of the various available accessories, referring to **Fig. 13** and paragraph 7.3.

Note – To facilitate connecting the cables, you can remove the terminals from their positions.



LED SAFETY	= safety chain LED
LED L2	= OK LED (green)
LED L1	= Warning LED (red)
OUT	= slot for the NDA040 accessory board for expanding outputs
PROG	= DIP switch for programming
ENCODER	= electronic limit switch
INPUT	external inputs 8 - com (+24 V DC common) 9 - open 10 - close 11 - photo (ing1)
ALT	= ALT terminal
SAFE	= only for motors with mechanical limit switches (leave unconnected with motors which have electronic limit switches)
LIMIT SWITCH	= mechanical limit switch
STOP	STOP terminal used for 8K2 safety edge or OSE 5 - positive (+) safety edge 6 - safety edge signal 7 - negative GND (-)
IBT4N	= IBT4N interface connector (not supplied)
OXI	= connector for connecting radio receivers with SM plug (SMXI/OXI)
	= aerial
	= earth connection
LINE	= connector for connecting the three-phase or single-phase power line
FUSES	= F1, F2, F3, F4: see Technical Specifications
MOTOR	= motor



7.6 - STOP SAFETY EDGE Input

The function of the SAFETY EDGE input is to cause the immediate stop of a manoeuvre when in progress followed by a short reverse manoeuvre.

This input can be connected to devices such as optical sensitive edges (OSE) or those with 8.2 kΩ constant resistance output.

During the recognition phase, the control unit recognises the type of device connected and causes a "STOP" whenever any variation in the recognised status occurs.

Multiple devices, even of different types, can be connected to the STOP SAFETY EDGE input if appropriately organised:

- NO devices: connect the 8.2 kΩ resistor in parallel to the device;
- NC devices: connect the 8.2 kΩ resistor in series to the device;
- You can connect multiple NC devices "in series" with each other without quantity limits;
- If there are multiple devices, all must be connected "in cascade" with a single 8.2 kΩ terminal resistance;
- You can also create a combination of NO and NC types, by placing the two contacts "in parallel". In this case, you need to place a 8.2 kΩ resistance "in series" with the NC contact; this also makes it possible to put three devices together: NO, NC and 8.2 kΩ.

7.7 - Connecting a radio receiver

The control unit has an SM connector for connecting an SMXI, SMXIS, OXI, OXIT or similar radio receiver (optional accessory, not supplied).

To connect the radio receiver, you must disconnect the mains power supply from the control unit and insert the receiver as shown in **Fig. 17**.

Table 2 shows the actions performed by the control unit according to the activated outputs or the commands sent by the radio receiver.

Note - For further information, refer to the instruction manual for the receiver.

TABLE 2

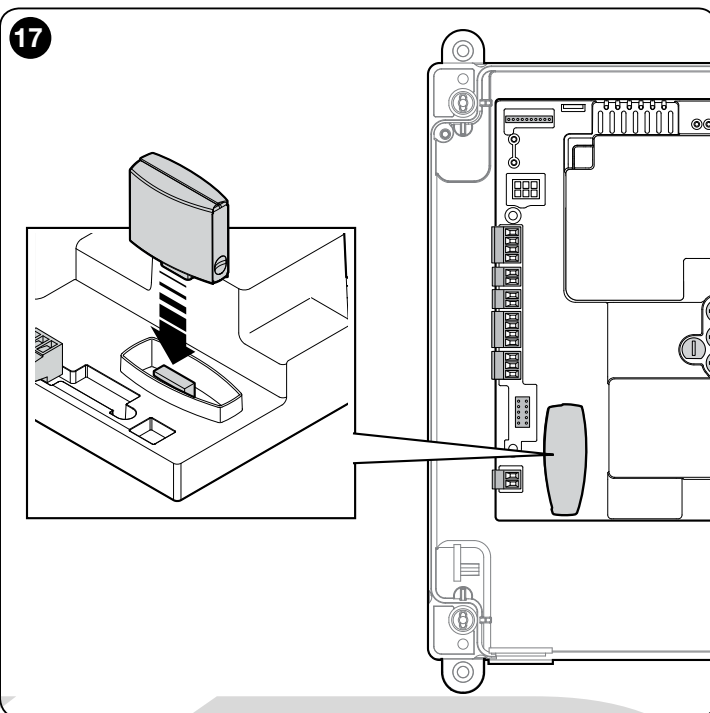
SMXI, SMXIS Receiver in "Mode 1 or 2"	
output	description
Output No. 1	Step-by-Step
Output No. 2	Partial open; <u>factory setting</u> : it opens to halfway (this may be changed during the position acquisition phase or by using the Oview programmer)
Output No. 3	Open
Output No. 4	Close
OXI, OXIT receiver programmed in "extended Mode 2"	
command	description
Command No. 1	Step-by-Step
Command No. 2	Partial open; <u>factory setting</u> : it opens to halfway (this may be changed during the position acquisition phase or by using the Oview programmer)
Command No. 3	Open
Command No. 4	Close
Command No. 5	Stop
Command No. 6	Step-by-Step Condominium
Command No. 7	Step-by-Step High priority
Command No. 8	Partial open 2
Command No. 9	Partial open 3
Command No. 10	Open and Lock automation
Command No. 11	Close and Lock automation
Command No. 12	Lock automation
Command No. 13	Release automation
Command No. 14	Timed Courtesy light
Command No. 15	Courtesy light ON/OFF

7.8 - Initial startup and electrical connections test

After supplying power to the control unit, carry out the following checks:

- Verify that the green L2 LED (close to the DIP switches) flashes regularly, with a frequency of 1 flash per second.
- If the system is equipped with photocells, check that their LEDs flash correctly (RX); the type of flashing is not significant because that depends on other factors.
- Ensure that the red SAFETY LED near the keyboard cable connector is permanently ON (see Safety LED Diagnostics table, Paragraph 10.2).

If any one of these tests fails to comply with requirements, you must disconnect the electrical power from the control unit and check the various electrical connections made previously.



7.9 - Total deletion of the control unit memory

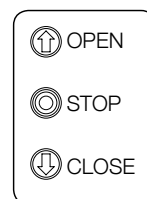
You can delete all the data stored on the control unit and restore it to its original state with the default settings.

01. Set dip switches 1-2-3-4 to ON = the red and green leds start flashing quickly
02. Press and hold the STOP button for 3 sec. until the green and red leds remain lit
03. Release the STOP button
04. At this point the control unit performs a RESET = the red and green leds start flashing quickly
05. Set dip switches 1-2-3-4 to OFF

7.10 - Recognition of the safety devices and the Opening and Closing positions

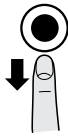
After performing the initial startup (paragraph 7.8) and before setting the gate Opening and Closing positions, you must have the control unit run the recognition phase of the connected safety devices on the "STOP Safety Edge" input.

CAUTION! - During the recognition phase, at least one safety device must be connected to the control unit.



01. Set dip switch 1 to ON =
- Green LED begins to flash rapidly
- Red LED is OFF
02. Press and hold the STOP button until the red led comes on and remains lit (after about 3 sec.)

03. Release the STOP button



This procedure must be repeated if a modification is made to the devices connected to the "STOP Safety Edge" terminal (for example, after connecting a new device to the control unit).

After performing the recognition of the safety devices on the automated system, the control unit must recognise the gate Opening and Closing positions.

CAUTION! - The recognition procedure of the safety devices and the gate Opening and Closing positions must be done consecutively, without interruption. You can not perform the recognition of the safety devices at one time and the recognition of the positions at another time.

7.10.1 - Recognition of the Opening and Closing positions with mechanical limit switch

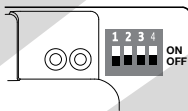
You can program 2 positions, as follows:

Position	Meaning
Opening	Maximum opening position. When the gate reaches this position it stops.
Closing	Maximum closing position. When the gate reaches this position it stops.

Caution! - If the direction of rotation does not correspond to the direction set (Open button = opening direction), you need to invert the "V" and "W" connections (phase inversion) in the motor connector (Fig. 18).

To perform the procedure, proceed as follows:

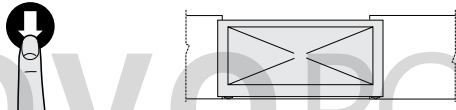
01. Move DIP switch 1 to OFF



02. Press the "Open" button to move the gate to its maximum open position



03. Press the "Close" button to move the gate to its maximum closed position



CAUTION! - The recognition phases must not be interrupted. If there is an interruption, you must repeat the entire recognition process. If at the end of the recognition phase, the red LED flashes 9 times-pause-9 times, it means that an error has occurred.

If instead it flashes 3 times-pause-3 times, reset the error by pressing the STOP button and invert the opening limit switch connection with that of the closing limit switch at the LIMIT SWITCH terminal (Fig. 14). The position recognition phase can be repeated at any time, also after the installation.

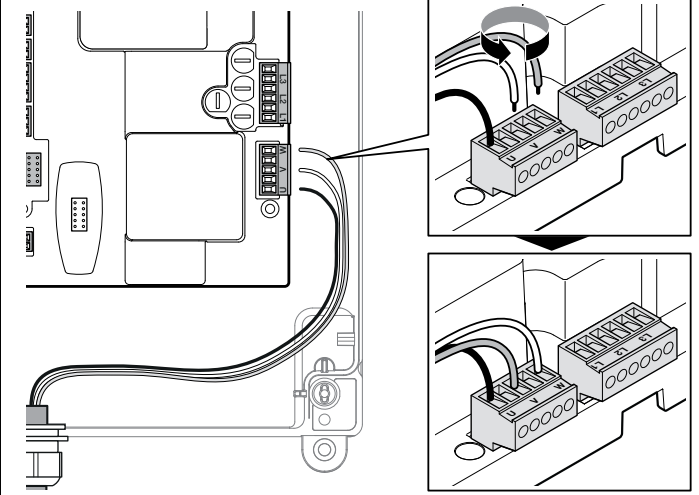
7.11 - Operating modes

CAUTION! - If the functions of Table 3 are programmed with the Oview programming unit, it is necessary to set the dip switches to OFF.

TABLE 3

DIP1	DIP2	DIP3	DIP4	Function
OFF	OFF	OFF	OFF	Hold-to-run movement
ON	x	OFF	OFF	Acquisition of positions and status of the ALT input
OFF	ON	OFF	OFF	Rotation direction of the encoder reversed
OFF	x	OFF	ON	Industrial mode (semi-automatic opening – hold-to-run closing), if positions recognised
OFF	x	ON	OFF	Semi-automatic mode, if positions recognised
OFF	x	ON	ON	Automatic mode with adjustable pause time, if positions recognised (see para. 10.1.2 "Other functions" for info on saving the pause time)

18



7.12 - Oview programming unit

Using the Oview programming unit allows you to manage the installation, maintenance and diagnosis of the entire automated system in a thorough and rapid manner.

You can connect Oview to the control unit via the IBT4N interface using a bus cable with 4 wires inside.

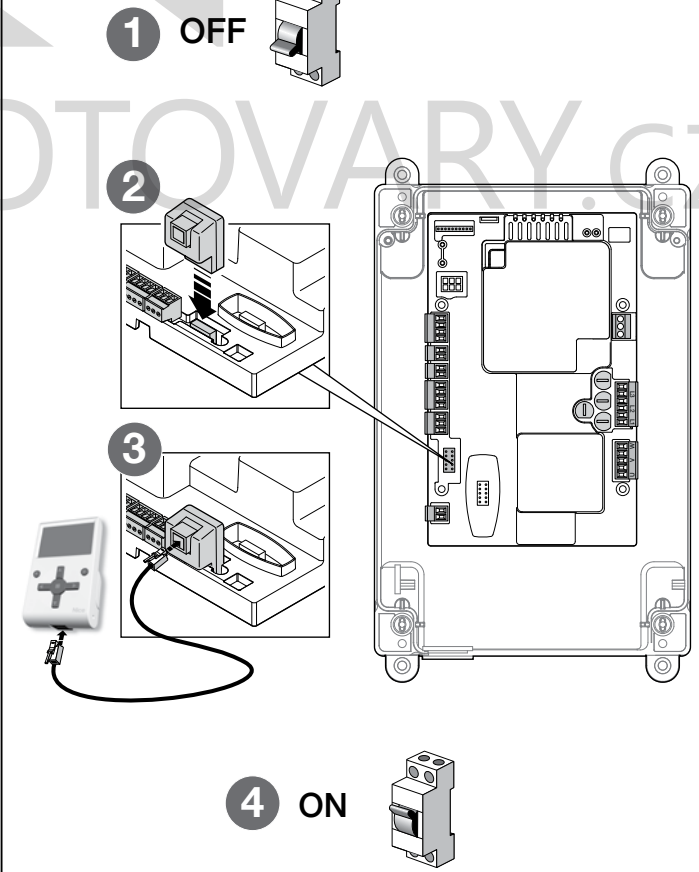
To access the BusT4 connector, you need to open the control unit box, plug the IBT4N connector into the appropriate slot and then connect the Oview programmer (Fig. 19).

Oview can be used at a maximum cable distance of 100 metres from the control unit; it can be connected simultaneously to multiple control units (up to 16) and can remain connected even during normal operation of the automated system. When working with Oview, it is very important to observe the instructions in the Oview instruction manual.

If there is an OXI radio receiver in the control unit, when you use Oview you can have access to the parameters of the transmitters memorised in the receiver. For further information, refer to the Oview instruction manual or the control unit function sheet available from the website www.niceforyou.com

CAUTION! - If the functions of Table 3 are programmed with the Oview programming unit, it is necessary to set the dip switches to OFF.

19



8 TESTING AND COMMISSIONING

The testing and commissioning phases are the most important when creating an automated system in order to ensure maximum safety. The testing procedure can also be performed as a periodic check of the automation devices.

These phases must be performed by qualified and experienced personnel who must take charge of establishing the tests necessary to verify the solutions adopted in respect of risks and verify the compliance of the system with applicable standards, legislation and regulations, in particular all requirements of the standard EN 12445 which establishes the test methods for checking automated systems for doors and gates. The additional devices must undergo specific testing, both in terms of their functions and in terms of their interaction with the control unit; therefore, you need to refer to the instruction manuals for the individual devices.

8.1 - Testing

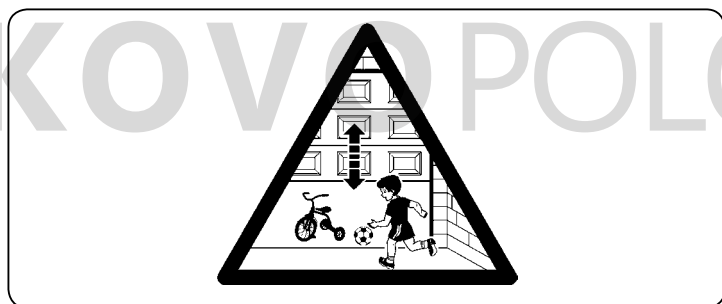
The sequence of steps to be performed when running the testing phase, as described below, refers to a typical system:

- 1 Check that all the instructions in the "Installation warnings" chapter have been rigorously complied with.
- 2 Release the motor. Check that the gate can be manually manoeuvred with a force no greater than 225N.
- 3 Lock the motor.
- 4 Using the control devices (transmitter, push button, key switch, etc.), test the Opening, Closing and Stopping of the gate, ensuring that the movement of the gate leaves corresponds to specifications. Test several times to assess the movement of the gate and check for any defects in assembly or adjustment and for any particular points of friction.
- 5 Check, one by one, that all the safety devices featured in the system (photo-cells, sensitive edges, etc.) work properly.
- 6 If the dangerous situations caused by the movement of the gate leaves have been safeguarded against by limiting the impact force, the impact force must be measured according to the EN 12445 standard.

8.2 - Commissioning

Commissioning can only be performed after obtaining positive results in all the test phases run on the control unit and the other devices (paragraph 8.1). **It is not permissible to execute partial commissioning or to enable use of the system in "makeshift" conditions.**

- 1 Prepare and store the technical documentation for the automated system for at least 10 years. This must include at least: an assembly drawing of the automated system, a wiring diagram, an analysis of hazards and solutions adopted, a manufacturer's declaration of conformity of all the devices installed (for the control unit, use the annexed CE declaration of conformity); a copy of the automation system instruction manual and maintenance schedule.
- 2 Post a label on the gate providing at least the following data: type of automated system, name and address of manufacturer (person responsible for the "commissioning"), serial number, year of manufacture and "CE" marking.
- 3 Post a permanent label or sign near the gate detailing the operations for releasing the system and its manual operation
- 4 Post a permanent label or sign on the gate containing this picture (min. height 60 mm).



- 5 Prepare the declaration of conformity for the automation system and hand it to the owner.
- 6 Prepare the "Instructions and warnings for the use of the automation system" and hand it to the owner.
- 7 Prepare the maintenance schedule for the automation system and hand it to the owner; it must include all the instructions regarding maintenance of the individual devices.

9 INSTALLATION AND ELECTRICAL CONNECTION OF TWO CONTROL UNITS FOR LEAVES MOVING IN OPPOSITE DIRECTIONS

To create an automation consisting of two leaves moving in opposite directions, it is necessary to use two control units connected as shown in **Fig. 20**.

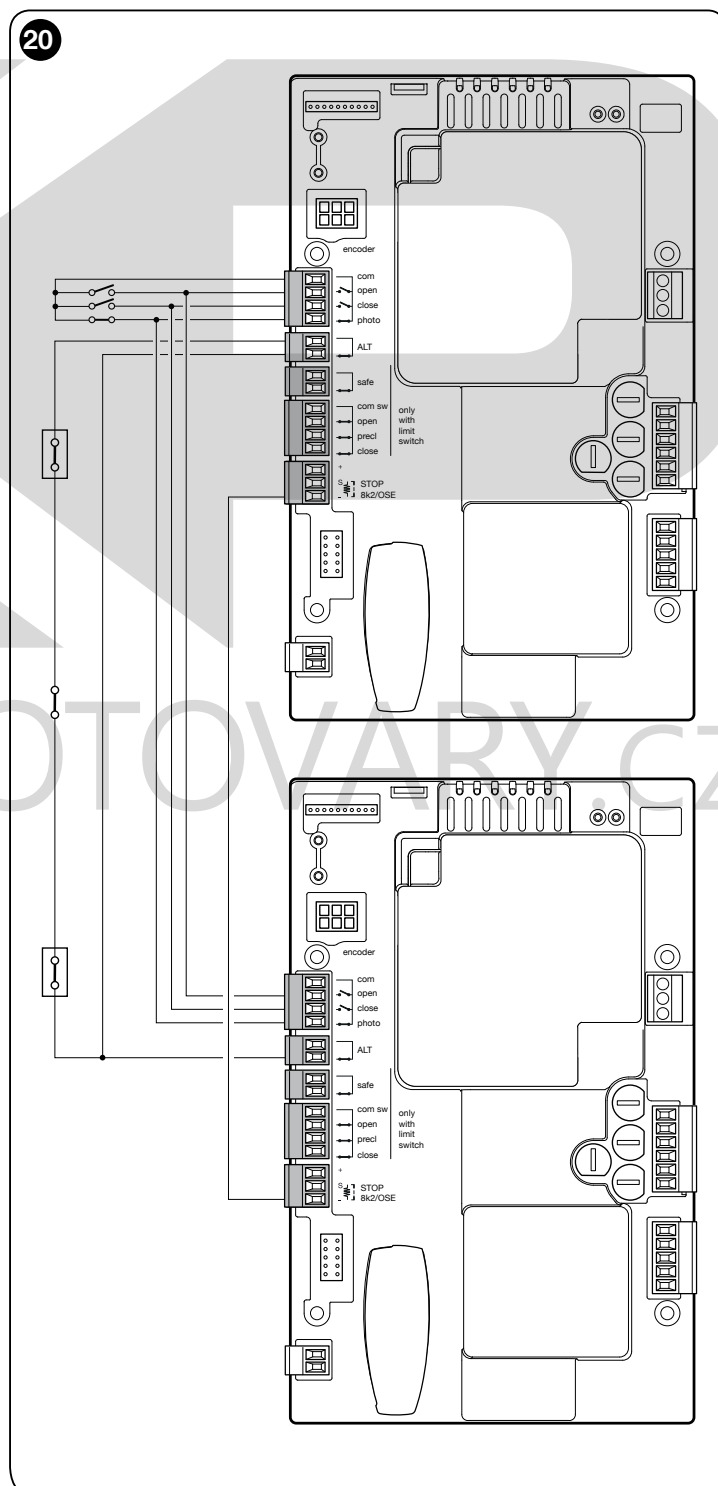
The motors and limit switches must be connected to each control unit. The warning light and the G.O.I. (Gate Open Indicator) can be connected to any one of the two control units, or can be installed one on each control unit (**Fig. A** page 6).

The inputs must be placed parallel to one another; the "Common" input can be connected to either one of the two control units.

Connect in parallel safety edge (8k2/OSE) "-" connectors of both control units. Configure the "Open" input as "Condominium" using the O-View programmer, which allows for synchronising the leaves should the two control units lose their synchronisation.

With this configuration it is important to remember that:

- the intervention of the sensitive edge only impacts the single leaf;
- the red STOP key only impacts the single leaf;
- the intervention of the thermal protection device only impacts the single leaf.



10.1 - Further details

10.1.1 - Signals when switching ON

When the DPRO500 control unit is switched ON, the reaction of the green OK L2 led and the red WARNING L1 LED is important, as shown in Table 4. In particular, it indicates whether:

- The recognition of the Opening and Closing positions is correct;
- The recognition of the (sensitive edge) safety device is correct and what kind of safety device has been recognised.

Signals when switched on	Signal	
	GREEN OK L2 LED	RED WARNING L1 LED
Blank memory (no acquired position or safety device)	Rapid flashing for 5 seconds	Rapid flashing for 5 seconds
Positions acquired correctly and "8k2" safety recognised	Rapid flashing for 2 seconds	Just one slow flash
Positions acquired correctly and "OSE" safety device recognised	Rapid flashing for 2 seconds	Two slow flashes

After providing the signals shown in Table 4, the DPRO500 control unit shows any errors through Diagnostics using the OK L2 led and the WARNING L1 LED.

10.1.2 - Other functions

Status and diagnostics indicator (terminal on the keyboard)

The control unit allows you to connect a 24V-5W max. indicator light to the "indicator" terminal on the push button panel housed inside the box cover (Fig. 21: terminal 1 -, 2 +). The "indicator" can be installed on the cover itself, by making a hole on the latter, or it can be installed outside the control unit at a maximum distance of 2 m from the latter.

CAUTION! - The output is not protected against short-circuits.

This "indicator" functions in the following way:

- off when the safety chain is open (ALT inp, red STOP button, thermal protection or release)
- flashes 0.5 s ON, 0.5 s OFF when it works properly
- shows the same diagnostics as the red L1 WARNING LED when there are "serious errors" (Paragraph 10.2).

Setting the pause time for automatic closing

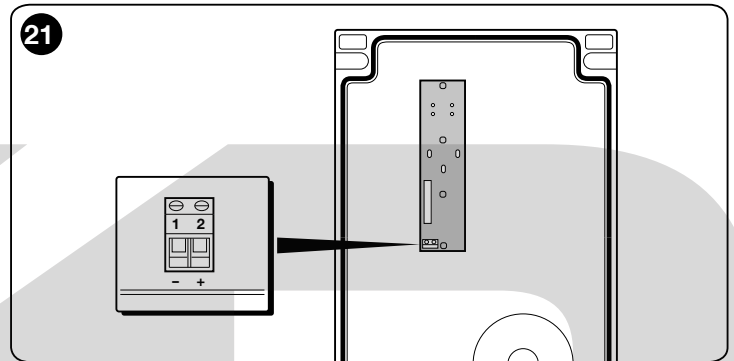
1 Set DIP switches 3 and 4 to ON.

2 Send a command to open the gate so as to move the gate to its fully open position.

3 Once this position is reached, wait for a period of time equal to the required pause time for automatic closing and then command the gate to close. The pause time for automatic closing is now saved.

In order to change the pause time, set dip 3 and 4 to OFF and then back to ON. At this point you must repeat the sequence of opening, pause time and closing.

CAUTION! - When DIP switch 4 is moved to the OFF position, the pause time is deleted.



10.2 - Diagnostics

Some devices are equipped to display messages to identify their status and faults. The following table describes the various alarm signals according to the type of problem. These alarm signals are provided by appropriate flashes of the green OK L2 LED and the red WARNING L1 LED and from the flashing light (if there is one) connected to the specially programmed control unit outputs.

DIAGNOSTICS GREEN OK L2 LED			
Signal	Cause	Solution	Flashing light
2 flashes - short pause 2 flashes - long pause	Triggering of a photocell	At the start of the manoeuvre, one or more photocells fail to give the enable signal; check for obstacles and whether the photocells are interfering with each other's IR. When the safety devices have intervened, the automation can be controlled with a person present through the wired controls. It is not possible to send commands via radio.	Flash
4 flashes - short pause 4 flashes - long pause	Triggering of the STOP input	At the start of or during the manoeuvre, the STOP or ALT input was triggered; identify the cause. When the safety devices have intervened, the automation can be controlled with a person present through the wired controls. It is not possible to send commands via radio.	Flash
6 flashes - short pause 6 flashes - long pause	Manoeuvre limiting device	---	Flash
9 flashes - short pause 9 flashes - long pause	Automation system locked	Send the "Release Automation" command or command the manoeuvre with "Step-by-Step High Priority".	Flash
The LEDs come on for 3 seconds	Lock automation	---	Flash
2 flashes of 1 second with pause of 1.5 seconds	Automation system released	---	Flash

DIAGNOSTICS RED WARNING L1 LED			
⚠ Certain signals can be cancelled by pressing the red STOP button			
Signal	Cause	Solution	Flashing light
5 flashes - short pause 5 flashes - long pause	EEPROM error - Error in the internal parameters of the control unit	Disconnect and reconnect the power supply. If the error persists, run the "Total deletion of the control unit memory" (paragraph 7.8) and rerun installation. If the condition persists, there may be a serious fault and you will need to replace the electronic circuit board.	Flash
2 flashes - short pause 2 flashes - long pause	Safety Test Error	Rerun the recognition procedure for the safety devices connected to the control unit (paragraph 7.9).	---
3 flashes - short pause 3 flashes - long pause	Error in direction of rotation of the Encoder Or inverted limit switch	Reverse the direction of rotation of the encoder by moving DIP switch 2 to ON (see paragraph 7.10). If the motor mounts a mechanical limit switch, reset the error by pressing the STOP button and invert the opening limit switch connection with that of the closing limit switch at the LIMIT SWITCH terminal (Fig. 14).	---

4 flashes - short pause 4 flashes - long pause	Error with safety limit switches	The gate has gone past the safety limit switches during Opening or Closing. Move the gate manually to about half way up using the emergency manoeuvre system (see the manual of the motor) and press the STOP button on the cover in order to restore operation. Assess whether you need to change the previously acquired Opening/Closing positions.	---
6 flashes - short pause 6 flashes - long pause	Error with contactor	Disconnect all the power lines for a few seconds, then try sending a command again; if the problem persists, there may be a serious fault on the circuit board or on the connections of the motor. Carry out checks and replace parts, if required.	---
7 flashes - short pause 7 flashes - long pause	RS485 communication error on Encoder	Check that the motor-control unit cable is connected correctly, in particular the encoder cable (6 coloured wires).	---
8 flashes - short pause 8 flashes - long pause	Encoder error	Check that the motor-control unit cable is connected correctly, in particular the encoder cable (6 coloured wires). Rerun the recognition procedure of the Opening and Closing positions.	---
9 flashes - short pause 9 flashes - long pause	Error in limit switch acquisition	Repeat the recognition procedure of the Opening and Closing positions.	---
10 flashes - short pause 10 flashes - long pause	Error in movement time-out	The default setting for the movement time-out is 60 seconds. Check whether there are any obstructions to the movement of the gate or whether the gate has actually performed the movement. Check whether the duration of the timer has been changed (using the Oview programmer if available). Repeat the recognition of the Opening and Closing positions.	---

Note - The diagnostic signals provided by flashing leds stop when the control unit is given a command.

By using an external flashing light*, the diagnostics signals continue for two sequences of flashes (e.g. "3 flashes – short pause – 3 flashes – long pause" repeated twice).

IMPORTANT: To connect the external flashing light, you need to use the additional NDA040 board (not supplied).

*** Configured with the Oview programmer as "Flashing Light 1"**

L1 and L2 LED DIAGNOSTICS

Signal	Cause
Flashes fast alternating red LED and green LED	Firmware updating phase in progress
4 flashes - pause - 4 flashes of the LED simultaneously	Awaiting firmware updating

SAFETY LED DIAGNOSTICS

Signal	Cause	Solution
On	Correct operation	---
Off	Safety chain open	The safety chain is made up of the series of inputs (ALT, Stop via button, motor thermal protection, motor release). Close the circuit

11 WHAT TO DO IF...

(troubleshooting guide)

The following is a list of possible malfunctions that may occur during installation or due to a failure, together with the possible solutions:

- **The motor is at a standstill, no manoeuvre is commanded and the red LED flashes:** verify the type of flashing by checking the L1 LED Diagnostics table (paragraph 10.2) and press the red STOP button to cancel the diagnostics.
- **The radio transmitter does not control movements and the LED on the transmitter does not come ON:** check to see if the transmitter batteries have run down and replace them, if necessary.
- **The radio transmitter does not control movements but the LED on the transmitter comes ON:** check to see if the transmitter is correctly saved on the radio receiver. Also, check that the transmitter sends its radio signals correctly, by performing the following empirical test: press any button on the transmitter and place its LED on the aerial of any ordinary radio that is ON and tuned to 108.5 Mhz (or close to it) on the FM band; in this way, you should hear a slight noise with crackling pulses.
- **When a command is sent, no manoeuvre takes place and the OK LED does not flash:** check that the control unit is connected to mains supply with voltage of 230/400V. Also, check that the fuses have not blown; if they have, identify the cause of the failure and then replace them with others of the same type.
- **When a command is sent, no manoeuvre takes place and the flashing light is OFF:** check that the command is actually received; if the command reaches the SS input, the OK LED flashes twice to indicate that the command has been received.
- **The manoeuvre fails to start and the flashing light flashes a few times:** count the number of flashes and check the meaning of the flashes with the diagnostics table in paragraph 10.2
- **The motor turns in the opposite direction:**
 - for a three-phase motor, you need to invert the "V" and "W" phases of the motor
 - for a single-phase motor, you need to invert the "V" and "W" phases of the motor
- **The manoeuvre starts but stops shortly after:** identify the cause using the diagnostics of the Leds on the control unit.
- **The red WARNING L1 led flashes 9 times followed by a pause:** there was an error in the recognition procedure of the Opening and Closing positions. You must delete the memory (see 7.9) and repeat the position recognition procedure (see 7.10).

12 PRODUCT DISPOSAL

This product constitutes an integral part of the automation and, therefore, must be disposed of together with it.

Similarly to the installation phase, once the product reaches the end of its useful life, the disassembly and scrapping operations must be performed by qualified personnel.

This product is made of various types of materials, some of which can be recycled while others must be scrapped. Seek information on the recycling and disposal systems envisaged by local regulations in your area for this product category.

CAUTION! – Some parts of the product may contain polluting or hazardous substances which, if released into the environment, constitute serious environmental and health risks.



As indicated by the adjacent symbol, the product may not be disposed of together with domestic waste. Sort the materials for disposal, according to the methods envisaged by current legislation in your area, or return the product to the retailer when purchasing an equivalent product.

CAUTION! – Local legislation may include the application of heavy fines in the event of improper disposal of this product.

13 TECHNICAL SPECIFICATIONS

WARNINGS: • All technical specifications stated herein refer to an ambient temperature of 20° C (± 5° C). • Nice S.p.A. reserves the right to apply modifications to products at any time when deemed necessary, maintaining the same intended use and functionality.

Type	Electromechanical self-braking gear motor for the automatic movement of sliding gates for industrial use, complete with electronic control unit DPRO500
Pinion	Z = 18; Module = 6; Pitch = 18.8
Peak thrust	216 Nm
Nominal torque	65 Nm
Nominal torque speed	0.16m/s (9,50m/min)
Operating limits	TUB4000 is generally capable of automating gates up to 4000 Kg in weight and 30 m in length.
Power supply	3~ 400V ac +/-10%; 50Hz.
Max. absorbed power	580 W
Nominal absorption	1,6 A
Insulation class	1 (a safety earthing system is required)
Operating temperature	-20°C ... 55°C
Protection level	IP 54
Dimensions (mm)	580 x 480 x 240
Weight	60 kg

KOVOPOLOTOVARY.CZ

EU Declaration of Conformity (N. 624/TUB4) and declaration of incorporation of “partly completed machinery”

Note: the contents of this declaration correspond to that stated in the official document filed in the offices of Nice S.p.A. and, in particular, the latest version thereof available prior to the printing of this manual. The text herein has been re-edited for editorial purposes. A copy of the original declaration can be requested from Nice S.p.A. (TV) Italy.

Revision: 2

Language: EN

Manufacturer's name: NICE S.p.A.

Address: Via Pezza Alta N°13, 31046 Rustignè di Oderzo (TV) Italy

Person authorised to compile the technical documentation: NICE S.p.A.

Address: Via Pezza Alta N°13, 31046 Rustignè di Oderzo (TV) Italy

Product type: Electromechanical gearmotor 400V three-phase

Model / Type: TUB4000

Accessories: Radio receivers mod. SMXI, SMXIS and ONEXI, OXI, OXIBD, OXILR, OVIEW
Optical safety edge TMF, NDA040
Photocells ERA family S, M, L

The undersigned, Roberto Griffa, as Chief Executive Officer, hereby declares under his own responsibility that the product identified above complies with the provisions of the following directives:

- Directive 2014/30/UE (EMC) EN 61000-6-2:2005 - EN 61000-6-3:2007+A1:2011

In addition, the product conforms to the following directive in accordance with the provisions applicable to “partly completed machinery”:
(Annex II, part 1, section B):

- In addition, the product conforms to the following directive in accordance with the provisions applicable to “partly completed machinery”:
Directive 2006/42/EC OF THE EUROPEAN PARLIAMENT AND COUNCIL of May 17 2006 regarding machines and amending Directive 95/16/EC (consolidated text).
 - It is hereby declared that the relevant technical documentation has been compiled in accordance with Annex VII Part B of Directive 2006/42/EC and that the following essential requirements have been applied and fulfilled: 1.1.1- 1.1.2- 1.1.3- 1.2.1-1.2.6- 1.5.1-1.5.2- 1.5.5- 1.5.6- 1.5.7- 1.5.8- 1.5.10- 1.5.11
 - The manufacturer agrees to transmit to the national authorities any pertinent information on “partly completed machinery”, in response to a motivated request, without prejudice to its intellectual property rights.
 - Should the “partly completed machinery” be commissioned in a European country with an official language different to the one used in this declaration, a translation into that language accompanying this declaration must be provided by the importer.
 - The “partly completed machinery” may not be commissioned until the final machinery into which it is to be incorporated has been declared to conform to the provisions of Directive 2006/42/EC, where appropriate.

The product also complies with the following standards: EN 60335-1:2012+A11:2014, EN 62233:2008, EN 60335-2-103:2015

Place and Date: Oderzo, 19/12/2017

Ing. **Roberto Griffa**
(Chief Executive Officer)



▲ This user guide should be stored and handed to all users of the automation.

WARNINGS

- Keep at a safe distance from the moving gate until it is completely open or closed; do not transit through the gate until it is completely open and has come to a standstill.
- Do not let children play near the gate or with its commands.
- Keep the transmitters away from children.
- Suspend the use of the automation immediately as soon as you notice something abnormal in the operation (noises or jolting movements); failure to follow this warning may cause serious danger and accidents.
- Do not touch moving parts.
- Regular maintenance checks must be carried out by qualified personnel according to the maintenance plan.
- Maintenance or repairs must only be carried out by qualified technical personnel.
- Send a command with the safety devices disabled:

If the safety devices do not work properly or are out of order, the gate can still be operated.

When the safety devices have intervened, the automation can be controlled with a person present through the wired controls. It is not possible to send commands via radio.

If the safety devices are out of order, arrange to repair the automation as soon as possible.

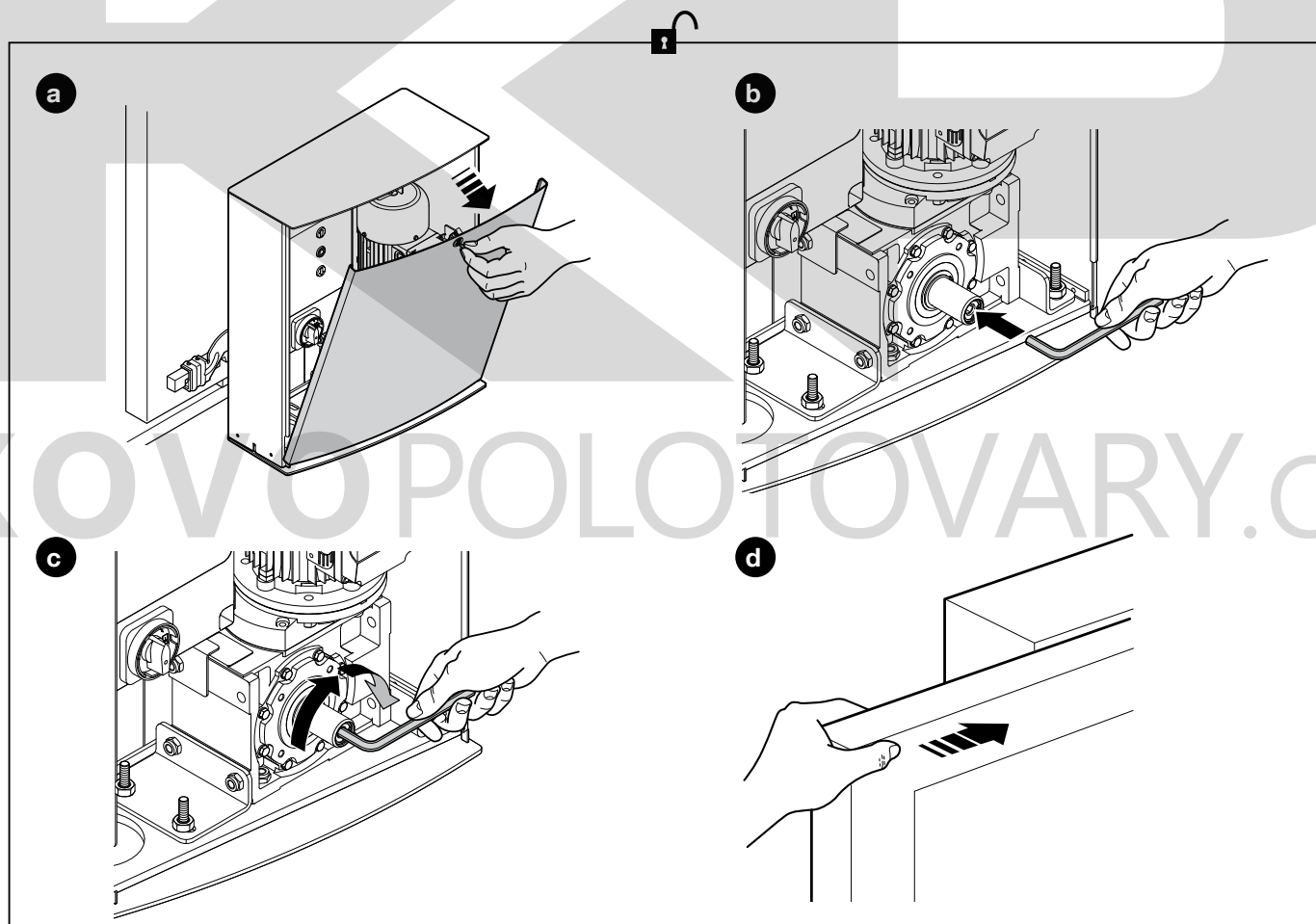
Releasing  and locking  the gearmotor (manual manoeuvre)

The gearmotor is equipped with a mechanical system that allows for opening and closing the gate manually.

Manual operation must be performed in the case of a power outage or in the event of anomalies affecting the system.

In the event of a gearmotor fault, it is still possible to try release the motor to check whether the fault lies in the release mechanism.

To lock the gearmotor, carry out the following operations in reverse order.



User-admissible maintenance operations

The operations that the user must carry out periodically are listed below:

- **Cleaning of the surfaces of the devices:** use a slightly damp (not wet) cloth. Do not use substances containing alcohol, benzene, thinners or other flammable substances; the use of these substances may damage the devices and cause fires or electric shocks.
- **Removal of leaves and stones:** disconnect the power supply before proceeding, so as to prevent anyone from moving the gate. If a back-up battery is fitted, disconnect it.



KOVOPOLOTOVARY.cz

▲ Le seguenti avvertenze sono trascritte direttamente dalle Norme e per quanto possibile applicabili al prodotto in oggetto

ATTENZIONE Istruzioni importanti per la sicurezza. Seguire tutte le istruzioni poiché l'installazione non corretta può causare gravi danni

ATTENZIONE Istruzioni importanti per la sicurezza. Per la sicurezza delle persone è importante seguire queste istruzioni. Conservare queste istruzioni

- Prima di iniziare l'installazione verificare le "Caratteristiche tecniche del prodotto", in particolare se il presente prodotto è adatto ad automatizzare la vostra parte guidata. Se non è adatto, NON procedere all'installazione

ATTENZIONE Secondo la più recente legislazione europea, la realizzazione di un'automazione deve rispettare le norme armonizzate previste dalla Direttiva Macchine in vigore, che consentono di dichiarare la presunta conformità dell'automazione. In considerazione di ciò, tutte le operazioni di allacciamento alla rete elettrica, di collaudo, di messa in servizio e di manutenzione del prodotto devono essere effettuate esclusivamente da un tecnico qualificato e competente!

- Prima di procedere con l'installazione del prodotto, verificare che tutto il materiale da utilizzare sia in ottimo stato ed adeguato all'uso
- Il prodotto non è destinato a essere usato da persone (bambini compresi) le cui capacità fisiche, sensoriali o mentali siano ridotte, oppure con mancanza di esperienza o di conoscenza
- I bambini non devono giocare con l'apparecchio
- Non permettere ai bambini di giocare con i dispositivi di comando del prodotto. Tenere i telecomandi lontano dai bambini

ATTENZIONE Al fine di evitare ogni pericolo dovuto al riarmo accidentale del dispositivo termico di interruzione, questo apparecchio non deve essere alimentato con un dispositivo di manovra esterno, quale un temporizzatore, oppure essere connesso a un circuito che viene regolarmente alimentato o disalimentato dal servizio

- Nella rete di alimentazione dell'impianto prevedere un dispositivo di disconnessione (non in dotazione) con una distanza di apertura dei contatti che consenta la disconnessione completa nelle condizioni dettate dalla categoria di sovratensione III
- Durante l'installazione maneggiare con cura il prodotto evitando schiacciamenti, urti, cadute o contatto con liquidi di qualsiasi natura. Non mettere il prodotto vicino a fonti di calore, né esporlo a fiamme libere. Tutte queste azioni possono danneggiarlo ed essere causa di malfunzionamenti o situazioni di pericolo. Se questo accade, sospendere immediatamente l'installazione e rivolgersi al Servizio Assistenza
- Il produttore non si assume alcuna responsabilità per danni patrimoniali, a cose o a persone derivanti dalla non osservanza delle istruzioni di montaggio. In questi casi è esclusa la garanzia per difetti materiali
- Il livello di pressione acustica dell'emissione ponderata A è inferiore a 70 dB(A)
- La pulizia e la manutenzione destinata ad essere effettuata dall'utilizzatore non deve essere effettuata da bambini senza sorveglianza
- Prima degli interventi sull'impianto (manutenzione, pulizia), disconnettere sempre il prodotto dalla rete di alimentazione
- Verificare frequentemente l'impianto, in particolare controllare i cavi, le molle e i supporti per rilevare eventuali sbilanciamenti e segni di usura o danni. Non usare se è necessaria una riparazione o una regolazione, poiché un guasto all'installazione o un bilanciamento della porta non corretto possono provocare lesioni
- Il materiale dell'imballo del prodotto deve essere smaltito nel pieno rispetto della normativa locale
- Tenere le persone lontane dalla porta quando questa viene movimentata mediante gli elementi di comando
- Durante l'esecuzione della manovra controllare l'automazione e mantenere le persone lontano da essa, fino al termine del movimento
- Non comandare il prodotto se nelle sue vicinanze ci sono persone che svolgono lavori sull'automazione; scollegate l'alimentazione elettrica prima di far eseguire questi lavori
- Se il cavo di alimentazione è danneggiato, esso deve essere sostituito dal costruttore o dal suo servizio di assistenza tecnica o comunque da una persona con qualifica simile, in modo da prevenire ogni rischio

AVVERTENZE INSTALLAZIONE

- Prima di installare il motore di movimentazione, controllare che tutti gli organi meccanici siano in buone condizioni, regolarmente bilanciati e che l'automazione possa essere manovrata correttamente
- Se il cancello da automatizzare è dotato di una porta pedonale occorre predisporre l'impianto con un sistema di controllo che inibisca il funzionamento del motore quando la porta pedonale è aperta
- Assicurarsi che gli elementi di comando siano tenuti lontani dagli organi in movimento consentendone comunque una visione diretta. A meno che non si utilizzi un selettore, gli elementi di comando vanno installati ad un'altezza minima di 1,5 m e non devono essere accessibili

Avvertenze particolari in relazione alle Direttive Europee applicabili al prodotto

- Regolamento "Prodotti da Costruzione": Avvertenze particolari per questo prodotto in relazione al Regolamento 305/2011:
 - L'installazione completa di questo prodotto, così come descritta in questo manuale di istruzioni e per alcuni tipi di uso (ad esempio escluso l'uso solo per veicoli), possono farlo rientrare nel campo di applicazione del Regolamento 305/2011 e della relativa norma armonizzata EN 13241-1.
 - È necessario applicare i criteri di installazione necessari affinché il prodotto risponda ai requisiti essenziali del Regolamento 305/2011; chi esegue l'installazione dovrà verificare ed assicurarsi che tutti questi criteri siano stati scrupolosamente rispettati.
 - Potrebbero non essere garantiti i requisiti essenziali se il prodotto è installato e usato senza il rispetto di uno o più di questi criteri. È vietato l'uso del prodotto in queste situazioni finché chi esegue l'installazione non abbia verificato la rispondenza ai requisiti previsti dalla direttiva; in questo caso l'etichetta "ES13241-1.4870" applicata sul prodotto dovrà essere immediatamente rimossa e non potrà essere utilizzata la "Dichiarazione CE di Conformità" dell'allegato I presente in questo manuale. Come conseguenza chi esegue l'installazione diventa, a sua volta il fabbricante del prodotto e dovrà rispettare quanto previsto dal Regolamento 305/2011 e della relativa norma armonizzata EN 13241-1. In questo caso il prodotto deve essere considerato come "quasi macchina" e potrà essere utilizzato (per essere inserita nel fascicolo tecnico), la "Dichiarazione di Conformità" dell'allegato II.
- Direttiva "Bassa Tensione":
Avvertenze particolari sull'idoneità all'uso di questo prodotto in relazione alla Direttiva "Bassa Tensione". Questo prodotto risponde ai requisiti previsti dalla Direttiva "Bassa Tensione" se impiegato per l'uso e nelle configurazioni previste in questo manuale di istruzioni ed in abbinamento con gli articoli presenti nel catalogo prodotti di Nice S.p.A.
Potrebbero non essere garantiti i requisiti se il prodotto è usato in configurazioni o con altri prodotti non previsti; è vietato l'uso del prodotto in queste situazioni finché chi esegue l'installazione non abbia verificato la rispondenza ai requisiti previsti dalla direttiva.

- Direttiva “Compatibilità Elettromagnetica”:
Avvertenze particolari sull’idoneità all’uso di questo prodotto in relazione alla Direttiva “Compatibilità Elettromagnetica”.
Questo prodotto è stato sottoposto alle prove relative alla compatibilità elettromagnetica nelle situazioni d’uso più critiche, nelle configurazioni previste in questo manuale di istruzioni ed in abbinamento con gli articoli presenti nel catalogo prodotti di Nice S.p.A.
Potrebbe non essere garantita la compatibilità elettromagnetica se il prodotto è usato in configurazioni o con altri prodotti non previsti; è vietato l’uso del prodotto in queste situazioni finché chi esegue l’installazione non abbia verificato la rispondenza ai requisiti previsti dalla direttiva.

Criteria d’installazione e avvertenze particolari in relazione ai requisiti essenziali

- Questo prodotto, se installato correttamente, rispetta i requisiti essenziali previsti dal Regolamento 305/2011 secondo quanto richiesto della norma armonizzata EN 13241-1, così come indicato nella Tabella 1 e dalla Direttiva europea sulle “macchine” 2006/42/CE.
- Rilascio di sostanze pericolose:
Il prodotto non contiene e/o non rilascia sostanze pericolose in conformità a quanto previsto dalla norma EN 13241-1, punto 4.2.9 e secondo l’elenco delle sostanze presente nel sito internet della Comunità Europea.
Avvertenza particolare per garantire il mantenimento del requisito – È fondamentale che anche gli altri materiali utilizzati nell’installazione, ad esempio i cavi elettrici, siano conformi a questo requisito.
- Apertura sicura per porte a movimento orizzontale: il prodotto non provoca movimenti incontrollati.
Avvertenze particolari per garantire il mantenimento dei requisiti:
 - Eseguire l’installazione seguendo scrupolosamente tutte le indicazioni descritte nei capitoli “2 - Installazione” e “4 - Collaudo e messa in servizio”.
 - Assicurarsi che venga organizzato un piano di manutenzione nel quale, venga scrupolosamente eseguito quanto previsto nel capitolo “Piano di manutenzione”.
- Le chiusure scorrevoli, relativamente ai rischi di schiacciamento e impatto sono protetti mediante uno di questi tre metodi:
 - 1** - Per il funzionamento con “comando senza autoritenuta” (uomo presente): come specificato in EN 12453, punto 5.1.1.4. In questo caso il pulsante di comando deve essere posto a vista dell’automazione e se accessibile al pubblico il comando non deve essere loro disponibile, ad esempio utilizzando un selettore a chiave.
 - 2** - Per il funzionamento “semiautomatico”: attraverso l’uso di un bordo sensibile attivo per la limitazione delle forze come specificato nella EN 12453, punti 5.1.1.5 e 5.1.3.
 - 3** - Per il funzionamento “automatico”: attraverso l’uso di un bordo sensibile attivo per la limitazione delle forze come specificato nella EN 12453, punti 5.1.1.5 e 5.1.3; in questo caso deve essere obbligatoriamente installato almeno una coppia di fotocellule come indicato in fig. 2.

KOVOPOLOTOVARY.cz

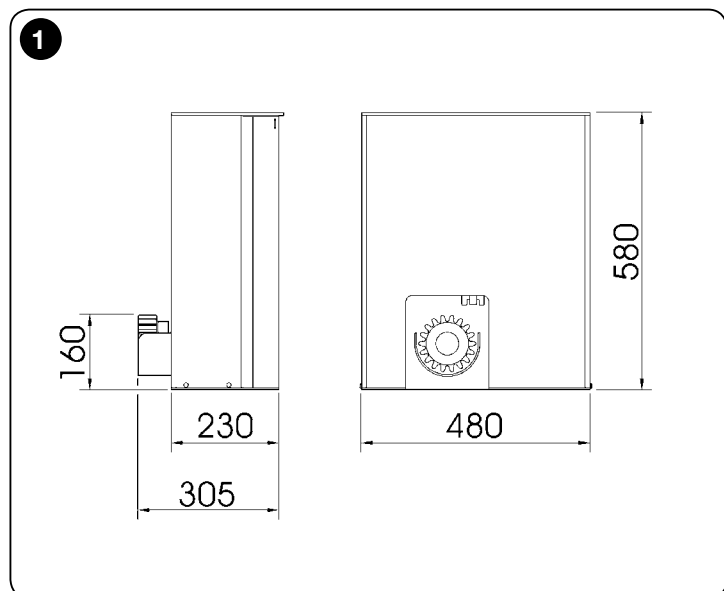
TUB4000

ITALIANO

Istruzioni originali

Sommario

AVVERTENZE GENERALI: SICUREZZA - INSTALLAZIONE - USO	1
1 - DESCRIZIONE DEL PRODOTTO E DESTINAZIONE D'USO	3
2 - INSTALLAZIONE	3
2.1 - Verifiche preliminari all'installazione.....	3
2.2 - Limiti d'impiego del prodotto	3
2.3 - Impianto tipico	4
2.4 - Fissaggio del motoriduttore	4
2.5 - Installazione dei vari dispositivi alla centrale	4
3 - COLLEGAMENTI ELETTRICI.....	5
4 - COLLAUDO E MESSA IN SERVIZIO	7
4.1 - Collaudo	7
5 - CENTRALE DI COMANDO INTEGRATA DPRO500.....	8
5.1 - Descrizione del prodotto e destinazione d'uso.....	8
6 - INSTALLAZIONE	8
6.1 - Verifiche preliminari all'installazione.....	8
6.2 - Limiti d'impiego del prodotto	8
6.3 - Installazione della centrale di comando	8
7 - COLLEGAMENTI ELETTRICI.....	9
7.1 - Collegamento del cavo di alimentazione trifase	9
7.2 - Collegamento del cavo di alimentazione monofase	9
7.3 - Cambio di alimentazione tramite jumper	9
7.4 - Descrizione dei collegamenti elettrici: alimentazione, dispositivi di sicurezza, comando e accessori.....	9
7.5 - Collegamenti elettrici della centrale di comando.....	10
7.6 - Ingresso STOP SAFETY EDGE	12
7.7 - Collegamento di un ricevitore radio.....	12
7.8 - Prima accensione e verifica collegamenti	12
7.9 - Cancellazione totale della memoria della centrale di comando.....	12
7.10 - Apprendimento dei dispositivi collegati e delle posizioni di Apertura e Chiusura.....	12
7.10.1 - Apprendimento delle posizioni di Apertura e Chiusura con finecorsa meccanico	13
7.11 - Modalità di funzionamento	13
7.12 - Unità di programmazione OView.....	13
8 - COLLAUDO E MESSA IN SERVIZIO	14
8.1 - Collaudo	14
8.2 - Messa in servizio.....	14
9 - INSTALLAZIONE E COLLEGAMENTO ELETTRICO DI DUE CENTRALI PER FUNZIONAMENTO AD ANTE CONTRAPPOSTE	14
10 - APPROFONDIMENTI E DIAGNOSTICA	15
10.1 - Approfondimenti	15
10.1.1 - Segnalazioni all'accensione	15
10.1.2 - Altre funzioni	15
10.2 - Diagnostica	16
11 - COSA FARE SE.....	16
12 - SMALTIMENTO DEL PRODOTTO	17
13 - CARATTERISTICHE TECNICHE DEL PRODOTTO	17
DICHIARAZIONE CE DI CONFORMITÀ.....	18
GUIDA ALL'USO (inserto staccabile)	19



▲ IMPORTANTE!
Prima di eseguire qualsiasi tipo di operazione o procedura, leggere attentamente le avvertenze generali (pag. 1) e i limiti d'impiego (paragrafo 2.2)

1 DESCRIZIONE DEL PRODOTTO E DESTINAZIONE D'USO

TUB4000 è un motoriduttore per cancelli scorrevoli di grandi dimensioni per uso industriale, con centrale DPRO500 incorporata e predisposta per l'inserimento dei ricevitori NICE.

Funziona mediante energia elettrica, in caso di mancanza di alimentazione elettrica, è possibile effettuare lo sblocco del motoriduttore mediante apposita chiave e muovere manualmente il cancello.

ATTENZIONE! – Qualsiasi altro uso diverso da quello descritto e in condizioni ambientali diverse da quelle riportate in questo manuale è da considerarsi improprio e vietato!

2 INSTALLAZIONE

▲ L'installazione di TUB4000 deve essere effettuata solo da personale tecnico qualificato, nel rispetto di leggi, norme e regolamenti e di quanto riportato nel presente manuale istruzioni.

2.1 - Verifiche preliminari all'installazione

Prima di procedere all'installazione è necessario verificare l'integrità dei componenti del prodotto, l'adeguatezza del modello scelto e l'idoneità dell'ambiente destinato all'installazione:

- Verificare che tutto il materiale da utilizzare sia in ottimo stato e adatto all'uso previsto.
- Verificare che tutte le condizioni di utilizzo rientrino nei limiti d'impiego del prodotto (paragrafo 2.2) e nei limiti dei valori riportati nelle "Caratteristiche tecniche del prodotto".
- Verificare che l'ambiente scelto per l'installazione sia compatibile con l'ingombro totale del prodotto (fig. 1).
- Verificare che la superficie scelta per l'installazione del prodotto sia solida e possa garantire un fissaggio stabile.
- Verificare che la zona di fissaggio non sia soggetta ad allagamenti; eventualmente prevedere il montaggio del prodotto adeguatamente sollevato da terra.
- Verificare che lo spazio intorno al prodotto consenta un accesso facile e sicuro.
- Verificare che tutti i cavi elettrici da utilizzare siano del tipo elencato nella Tabella 2.
- Verificare che nell'automazione siano presenti gli arresti meccanici sia in chiusura sia in apertura.

2.2 - Limiti d'impiego del prodotto

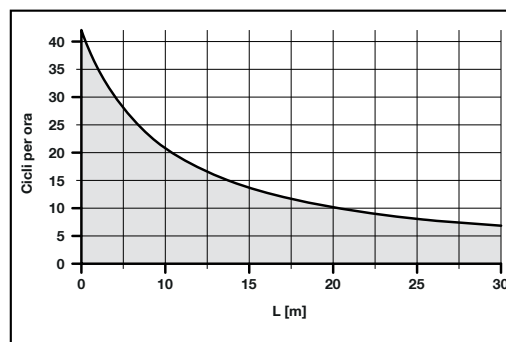
I dati relativi alle prestazioni di TUB4000 sono riportati nel capitolo "13 Caratteristiche tecniche" e sono gli unici valori che consentono la corretta valutazione dell'idoneità all'uso.

Generalmente TUB4000 è in grado di automatizzare cancelli con peso fino a 4000 kg oppure lunghezza fino a 30 m secondo quanto riportato nella Tabella 1.

TABELLA 1

Lunghezza anta metri	Cicli/ora massimi
Fino a 5	42
5÷10	21
10÷15	14
15÷20	10
20÷25	8
25÷30	7

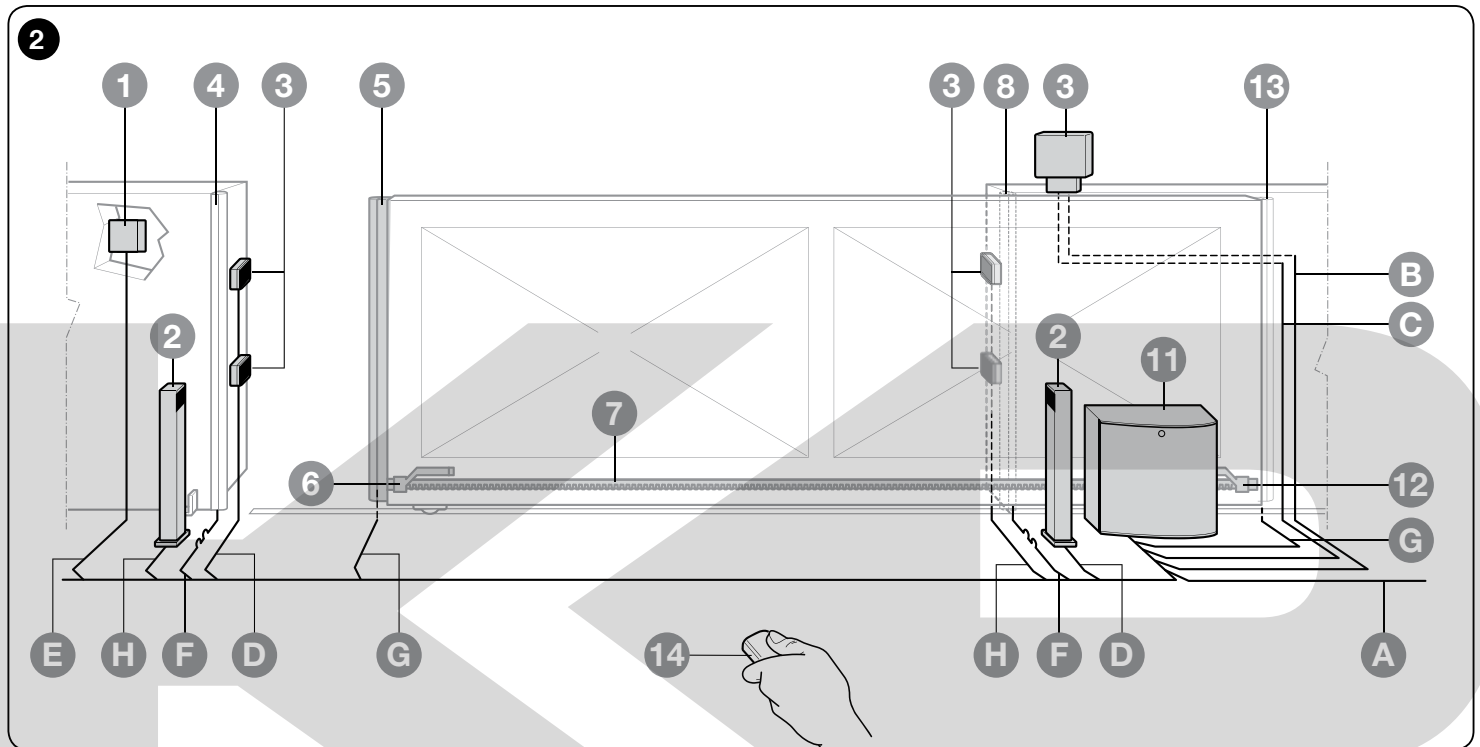
Rappresentazione grafica dei cicli ora in funzione della lunghezza dell'anta del cancello.



2.3 - Impianto tipico

In **fig. 2** è riportato l'impianto tipico dell'automazione di un cancello di tipo scorrevole utilizzando TUB4000.

- 1 Selettore a chiave
- 2 Fotocellule su colonnina
- 3 Fotocellule FOTO
- 4 Bordo primario fisso (opzionale)
- 5 Bordo primario mobile
- 6 Staffa di finecorsa "Aperto"
- 7 Cremagliera
- 8 Bordo secondario fisso (opzionale)
- 9 Lampeggiante
- 10 Antenna
- 11 Motore
- 12 Staffa di finecorsa "Chiuso"
- 13 Bordo secondario mobile (opzionale)
- 14 Radio trasmettitore



2.4 - Fissaggio del motoriduttore

Se la superficie di appoggio è già esistente il fissaggio del motoriduttore dovrà avvenire direttamente sulla superficie utilizzando adeguati mezzi ad esempio attraverso tasselli ad espansione.

Altrimenti, per fissare il motoriduttore:

01. Eseguire uno scavo di fondazione di adeguate dimensioni.
02. Predisporre uno o più tubi per il passaggio dei cavi elettrici come in **fig. 5**.
03. Assemblare le 4 zanche sulla piastra di fondazione ponendo un dado sotto ed uno sopra alla piastra come in **fig. 3** in modo che la parte filettata sporga il più possibile dalla piastra.
04. Effettuare la colata di calcestruzzo e, prima che inizi la presa, porre la piastra di fondazione; verificare che sia parallela all'anta e perfettamente in bolla come in **fig. 5**. Attendere la completa presa del calcestruzzo.
05. Togliere la scocca al motoriduttore eseguendo l'operazione inversa a quella rappresentata in **fig. 7**.
06. Appoggiare sopra alla piastra di fondazione il motoriduttore e posizionarlo perfettamente parallelo all'anta poi fissarlo con forza alle 4 zanche con i 4 dadi e le rispettive rondelle in dotazione come in **fig. 6**.
07. Sbloccare il pignone come indicato nel paragrafo "Sblocco e movimento manuale" sul capitolo "Istruzioni ed avvertenze destinate all'utilizzatore del motoriduttore TUB4000".
08. Aprire completamente l'anta, appoggiare sul pignone il primo tratto di cremagliera e verificare che l'inizio della cremagliera corrisponda all'inizio dell'anta. Verificare che tra pignone e cremagliera vi sia un gioco di 2÷3 mm, quindi fissare con mezzi adeguati la cremagliera sull'anta.
09. Far scorrere l'anta ed utilizzare sempre il pignone come riferimento per fissare gli altri elementi della cremagliera.
10. Tagliare l'ultimo tratto di cremagliera per la parte eccedente.
11. Provare a muovere l'anta varie volte in apertura e chiusura e verificare che la cremagliera scorra allineata sul pignone con un disallineamento massimo di 10-15 mm e che per tutta la lunghezza sia stato rispettato il gioco di 2-3 mm tra pignone e cremagliera.
12. Fissare con i relativi grani le staffe di finecorsa di "Apertura" e di "Chiusura" ai lati estremi della cremagliera come in **fig. 4**. Occorre considerare che quando intervengono i finecorsa, l'anta si muoverà per altri 2÷3 cm; è consigliabile quindi porre le staffe di finecorsa con opportuno margine sugli arresti meccanici.
13. Eseguire l'operazione inversa a quella eseguita nel punto 07 e bloccare il pignone.

14. Fissare la scocca a TUB4000 come indicato in **fig. 7** ed assicurarsi che la levetta del finecorsa posta sopra al pignone si muova liberamente.

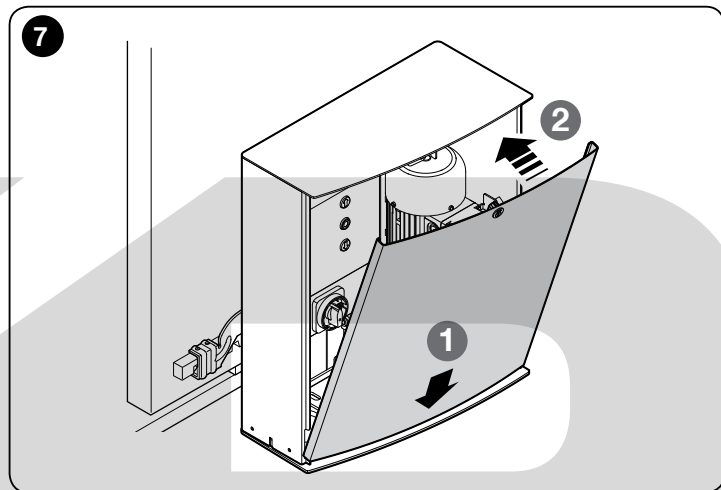
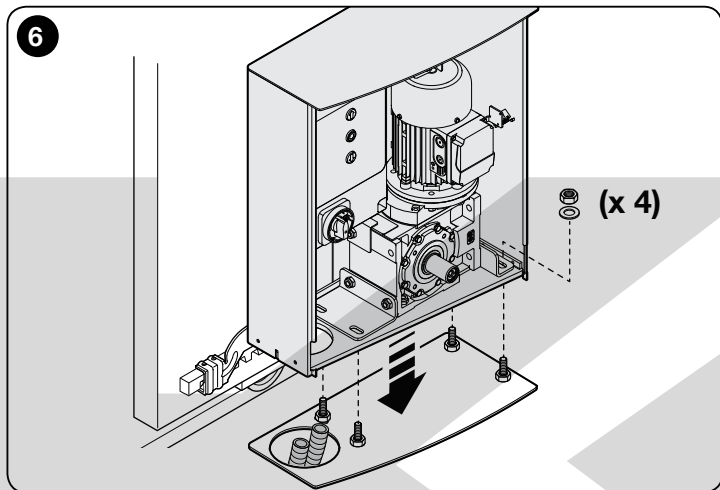
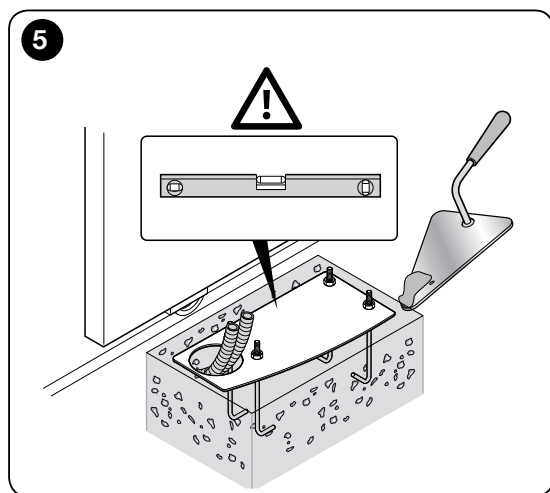
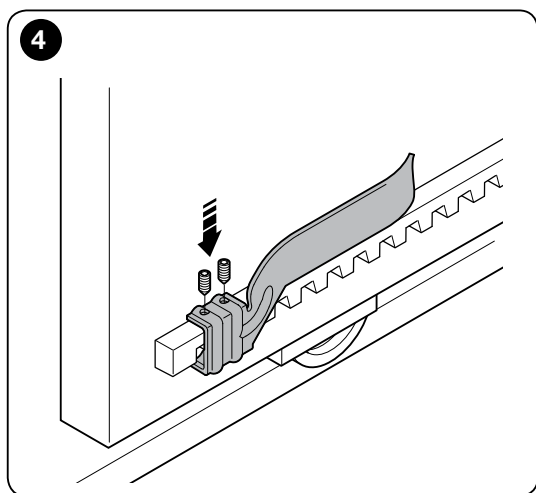
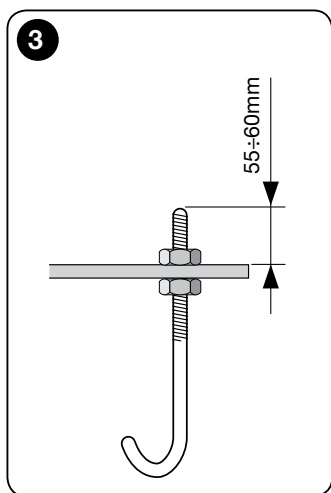
15. Chiedere la porta del motoriduttore ed assicurarsi che sia azionato il microinterruttore di sicurezza posto alla destra del motore elettrico.

▲ Per evitare che il peso dell'anta possa gravare sul motoriduttore è importante che tra cremagliera e pignone ci sia un gioco di 2÷3 mm.

2.5 - Installazione dei vari dispositivi alla centrale

Effettuare l'installazione di tutti i dispositivi previsti seguendo le rispettive istruzioni. Verificare nel capitolo 7 (DPRO500) i dispositivi che possono essere collegati a TUB4000.

ATTENZIONE! – Tutti i collegamenti elettrici devono essere eseguiti in assenza di tensione all'impianto e da personale esperto, qualificato, in possesso dei requisiti richiesti e nel pieno rispetto di leggi, norme e regolamenti.



3 COLLEGAMENTI ELETTRICI

Nell'impianto tipico di **fig. 3** sono indicati anche i cavi necessari per i collegamenti dei vari dispositivi; in tabella 2 sono indicate le caratteristiche dei cavi.

I cavi utilizzati devono essere adatti al tipo di installazione; ad esempio si consiglia un cavo tipo H05VV-F per posa in ambienti interni oppure H07RN-F se posato all'esterno.

TABELLA 2 - Caratteristiche tecniche dei cavi elettrici (fig. 2)

Collegamento	Tipo di cavo	Lunghezza massima consentita
A: Linea elettrica di alimentazione	N° 1 cavo 4 x 1,5 mm ²	30 m (nota 1)
B: Lampeggiante	N° 1 cavo 2 x 1mm ²	20 m (nota 7)
C: Antenna	N° 1 cavo schermato tipo RG58	(consigliato minore di 5 metri)
D: Fotocellule trasmettitore	N° 1 cavo 2 x 0,25 mm ²	30 m (nota 3)
E: Selettore a chiave	N° 2 cavi 2 x 0,25 mm ²	50 m (nota 2)
F: Bordi fissi	N° 1 cavo 2 x 0,5 mm ²	30 m (note 4 - 6)
G: Bordi mobili	N° 1 cavo 2 x 0,5 mm ²	30 m (note 4 - 5 - 6)
H: Fotocellule ricevitore	N° 2 cavi 2 x 0,25 mm ²	30 m (note 2 - 3)

Nota 1 – Se il cavo di alimentazione è più lungo di 30 m occorre un cavo con sezione maggiore, ad esempio 4 x 2,5 mm² ed è necessaria una messa a terra di sicurezza in prossimità dell'automazione.

Nota 2 – I due cavi 2 x 0,25 mm² possono essere sostituiti da un solo cavo 4 x 0,25 mm².

Nota 3 – Usare cavetti schermati se la lunghezza supera i 30 m collegando la calza a terra solo dal lato della centrale.

Nota 4 – In particolari applicazioni si può rendere necessario l'utilizzo di più bordi sensibili. Se presente più di un bordo vedere il manuale di istruzioni per il tipo di collegamento consigliato.

Nota 5 – Per il collegamento dei bordi mobili su ante scorrevoli occorre utilizzare opportuni dispositivi che permettono la connessione anche con l'anta in movimento.

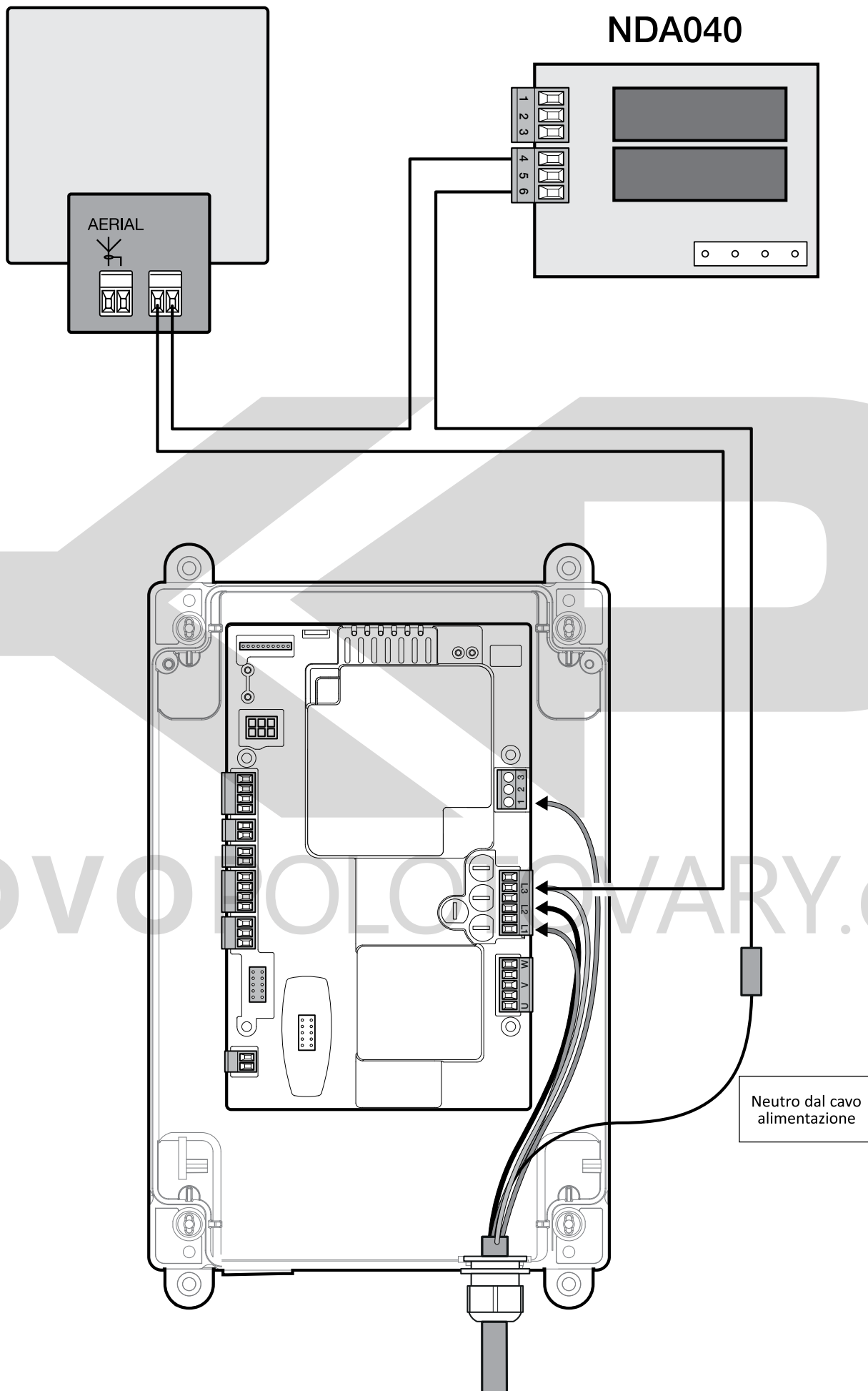
Nota 6 – Il numero di conduttori necessari per il collegamento dei bordi mobili o fissi dipende dalla tecnica usata per garantire la categoria di sicurezza richiesta. L'esempio si riferisce ai bordi TCB65 collegati alle interfacce TCE.

Nota 7 – È possibile collegare un lampeggiante a 230Vac. Per il collegamento vedere la fig. A.

ATTENZIONE! – I cavi utilizzati devono essere adatti al tipo di ambiente in cui avviene l'installazione.

Dopo aver eseguito i collegamenti elettrici consultare il capitolo 7 (DPRO500) dove sono spiegate le procedure per la prima accensione, il riconoscimento dei dispositivi di sicurezza e dei fincorsa.

A



4 COLLAUDO E MESSA IN SERVIZIO

Le fasi del collaudo e della messa in servizio sono le più importanti durante la realizzazione dell'automazione per garantirne la massima sicurezza. Il collaudo può essere usato anche per verificare periodicamente i dispositivi che compongono l'automazione.

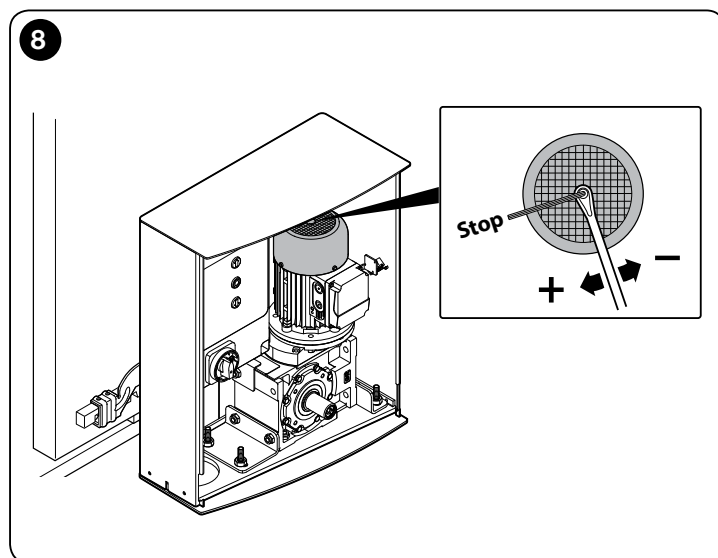
Queste fasi devono essere eseguite da personale qualificato ed esperto che dovrà farsi carico di stabilire le prove necessarie a verificare le soluzioni adottate nei confronti dei rischi presenti e, di verificare il rispetto di quanto previsto da leggi, normative e regolamenti: in particolare, di tutti i requisiti della norma EN 12445 che stabilisce i metodi di prova per la verifica degli automatismi per cancelli e porte. I dispositivi aggiuntivi devono essere sottoposti ad uno specifico collaudo, sia per quanto riguarda la funzionalità sia per quanto riguarda la loro corretta interazione con la centrale; quindi, fare riferimento ai manuali istruzioni dei singoli dispositivi.

4.1 - Collaudo

La sequenza di operazioni da eseguire per eseguire il collaudo, descritta di seguito, si riferisce ad un impianto tipico (fig. 2):

- 1 Verificare che sia stato rispettato rigorosamente tutto quello previsto nel capitolo "Avvertenze per l'installazione".
- 2 Utilizzando i dispositivi di comando (trasmettitore, pulsante di comando, selettore a chiave, ecc.), effettuare delle prove di apertura, Chiusura ed Arresto del cancello, accertando che il movimento delle ante corrisponda a quanto previsto. Conviene eseguire diverse prove al fine di valutare il movimento del cancello ed accertare eventuali difetti di montaggio, di regolazione, nonché la presenza di particolari punti d'attrito.
- 3 Verificare uno ad uno il corretto funzionamento di tutti i dispositivi di sicurezza presenti nell'impianto (fotocellule, bordi sensibili ecc.).
- 4 Se le situazioni pericolose provocate dal movimento delle ante sono state salvaguardate mediante la limitazione della forza d'impatto si deve eseguire la misura della forza secondo quanto previsto dalla norma EN 12445.
- 5 Verificare che lo spazio d'arresto dell'anta sia di 2-3 cm altrimenti regolare il freno meccanico nel seguente modo (fig. 8):
 - a. Far girare in senso orario e per circa mezzo giro il dado presente nell'albero motore;
 - b. Se mezzo giro non fosse ancora sufficiente avvitare un altro po' il dado;
 - c. Fare attenzione a non stringere troppo il dado perché potrebbe bloccare completamente il motore elettrico.

⚠ Prima della regolazione del freno meccanico è indispensabile spegnere l'alimentazione elettrica ponendo su "OFF" interruttore principale presente nella centrale.



5 CENTRALE DI COMANDO INTEGRATA DPRO500



⚠ IMPORTANTE!

Prima di eseguire qualsiasi tipo di operazione o procedura, leggere attentamente le avvertenze generali (pag. 1) e i limiti d'impiego (paragrafo 6.2)

5.1 - Descrizione del prodotto e destinazione d'uso

La centrale **DPRO500** è destinata al comando di attuatori elettromeccanici per l'automazione di cancelli, porte sezionali o serrande.

ATTENZIONE! – Qualsiasi altro uso diverso da quello descritto e in condizioni ambientali diverse da quelle riportate in questo manuale è da considerarsi improprio e vietato!

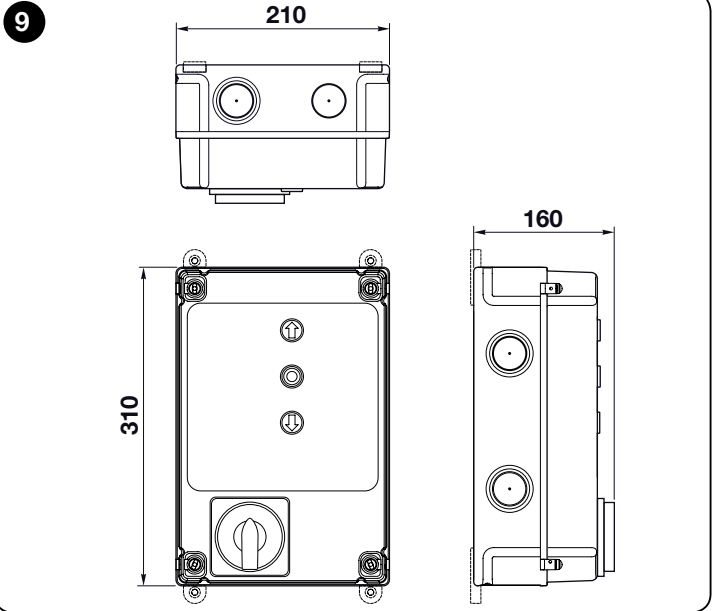
La centrale di comando può essere collegata a tutti i comuni elementi di sicurezza. Per l'apertura e la chiusura di un cancello, basta azionare il pulsante specifico installato sul coperchio o il pulsante esterno o tramite ricevitore radio.

6 INSTALLAZIONE

6.1 - Verifiche preliminari all'installazione

Prima di procedere all'installazione è necessario verificare l'integrità dei componenti del prodotto, l'adeguatezza del modello scelto e l'idoneità dell'ambiente destinato all'installazione:

- Verificare che tutto il materiale da utilizzare sia in ottimo stato e adatto all'uso previsto.
- Verificare che tutte le condizioni di utilizzo rientrino nei limiti d'impiego del prodotto (paragrafo 6.2) e nei limiti dei valori riportati nelle "Caratteristiche tecniche del prodotto".
- Verificare che l'ambiente scelto per l'installazione sia compatibile con l'ingombro totale del prodotto (**fig. 9**).
- Verificare che la superficie scelta per l'installazione del prodotto sia solida e possa garantire un fissaggio stabile.
- Verificare che la zona di fissaggio non sia soggetta ad allagamenti; eventualmente prevedere il montaggio del prodotto adeguatamente sollevato da terra.
- Verificare che lo spazio intorno al prodotto consenta un accesso facile e sicuro.
- Verificare che tutti i cavi elettrici da utilizzare siano del tipo elencato nella Tabella 1.
- Verificare che nell'automazione siano presenti gli arresti meccanici sia in chiusura sia in apertura.



6.2 - Limiti d'impiego del prodotto

Il prodotto può essere utilizzato esclusivamente come riportato nella tabella di seguito:

Alimentazione centrale	Tipologia motore*
Trifase 3x400 Vac - 50/60Hz	Trifase 3x400 Vac - 50/60 Hz con encoder Nice o finecorsa meccanici
Monofase 1x230 Vac - 50/60Hz	Monofase 1x230 Vac - 50/60 Hz con encoder Nice o finecorsa meccanici

(* Nel rispetto dei corrispondenti limiti d'impiego.

Per i motori monofase, vedere paragrafo 7.2.

⚠ ATTENZIONE! – La centrale di comando descritta nel presente manuale istruzione non può essere utilizzata nelle zone a rischio d'esplosione.

Importante – Prima di eseguire l'installazione, preparare i cavi elettrici necessari al vostro impianto, facendo riferimento alla "Tabella 1 - Caratteristiche tecniche dei cavi elettrici".

⚠ Attenzione! – Durante la posa in opera dei tubi per il passaggio dei cavi elettrici e l'entrata dei cavi nel contenitore della centrale, considerare che a causa di possibili depositi d'acqua presenti nei pozzetti di derivazione, i tubi di collegamento possono creare fenomeni di condensa all'interno della centrale che possono danneggiare i circuiti elettronici.

6.3 - Installazione della centrale di comando

Per eseguire il fissaggio della centrale di comando, procedere come descritto di seguito:

01. Aprire il box della centrale: svitare le apposite viti come mostrato in **fig. 10-A / fig. 10-B**;

02. Predisporre i fori per il passaggio dei cavi elettrici degli accessori di comando e/o di segnalazione. A questo scopo, anche per garantire il mantenimento del grado di protezione IP, si consiglia di utilizzare un utensile

TABELLA 1 - Caratteristiche tecniche dei cavi elettrici

Collegamento	Tipo di cavo	Lunghezza massima consentita
Cavo ALIMENTAZIONE CENTRALE DI COMANDO - trifase - monofase	4 x 1 mm ² 3 x 0,75 mm ²	5 m (nota 1) 2 m (nota 1)
Cavo MOTORE	per motoriduttori Nice, cavi dedicati in vendita come accessori per marchi diversi, richiedere al produttore del motoriduttore	5 - 7 - 11 m
Cavo LAMPEGGIANTE con antenna	2 x 1 mm ² (per lampeggiante 230Vac) cavo schermato tipo RG58 (per antenna)	10 m
Cavo FOTOCELLULE	4 x 0,5 mm ²	10 m
Cavo SELETTORE A CHIAVE	2 cavi 2 x 0,25 mm ²	10 m (nota 2)
Cavo SPIRALATO per bordo sensibile	cavo spiralato Nice disponibile come accessorio	50 m

Nota 1 – Se il cavo di alimentazione supera i massimi consentiti di lunghezza, occorre utilizzare un cavo con sezione maggiore

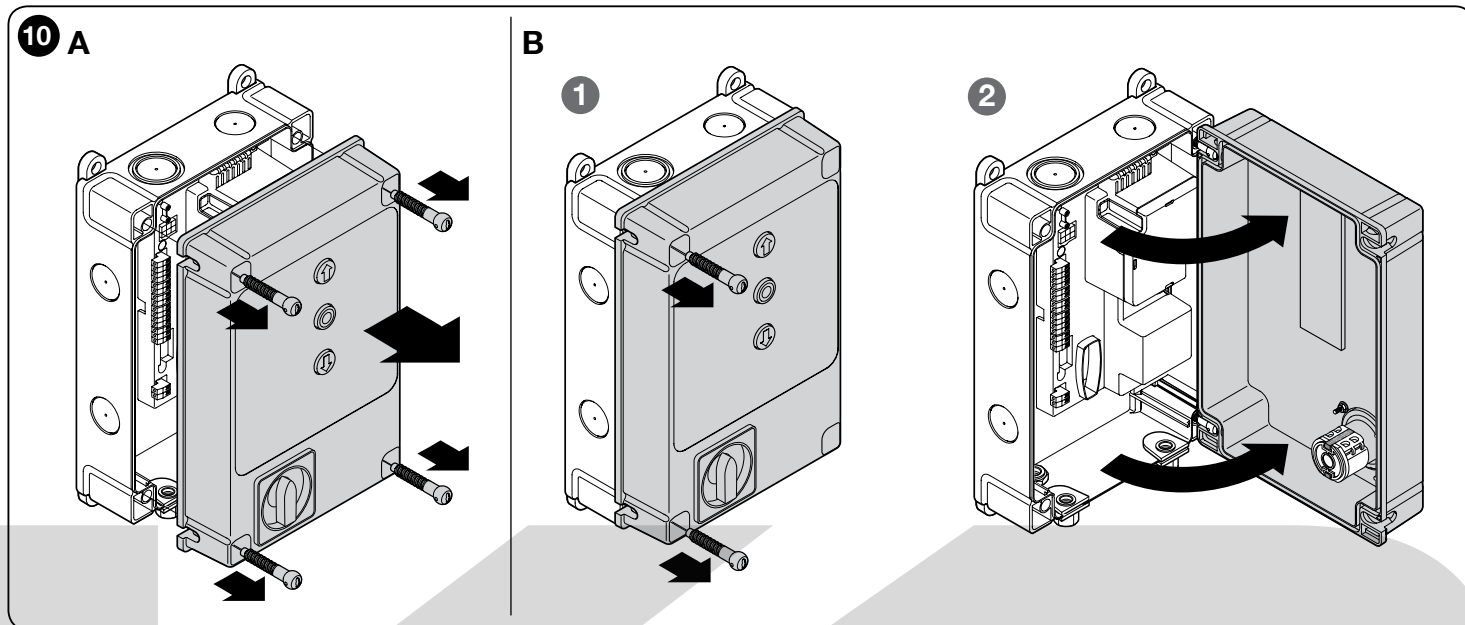
Nota 2 – Questi 2 cavi possono essere sostituiti da 1 unico cavo da 4 x 0,5 mm²

ATTENZIONE! – I cavi utilizzati devono essere adatti al tipo di ambiente in cui avviene l'installazione.

apposito (per esempio fresa a tazza) agendo nelle posizioni predisposte nella parte inferiore del box. Se necessario, è possibile utilizzare le entrate cavi laterali, ma solo con l'uso di idonei raccordi per tubi;

03. A questo punto, è possibile effettuare tutti i collegamenti elettrici: fare riferimento al capitolo 7.

Per eseguire l'installazione degli altri dispositivi presenti nell'automazione, fare riferimento ai rispettivi manuali d'istruzione.



7 COLLEGAMENTI ELETTRICI

ATTENZIONE!

- Tutti i collegamenti elettrici devono essere eseguiti in assenza di alimentazione elettrica;

- Le operazioni di collegamento devono essere eseguite esclusivamente da personale qualificato.

- Sulla linea elettrica di alimentazione, è necessario prevedere un dispositivo che assicuri la disconnessione completa dell'automazione dalla rete. Il dispositivo di disconnessione deve avere i contatti con distanza di apertura tale da consentire la disconnessione completa, nelle condizioni sancite dalla categoria di sovratensione III, conformemente alle regole di installazione. In caso di necessità, questo dispositivo garantisce una veloce e sicura sconnessione dell'alimentazione; pertanto deve essere posizionato in vista dell'automazione. Se invece è collocato in posizione non visibile, deve avere un sistema che blocca un'eventuale riconnessione accidentale o non autorizzata dell'alimentazione, al fine di scongiurare qualsiasi pericolo. Il dispositivo di sconnessione non è fornito con il prodotto.

- Selezione della tensione di alimentazione:

La centrale può funzionare correttamente in alimentazione trifase o monofase (vedere schemi di collegamento) con tensioni di 400V oppure 230V.

L'impostazione di default è per una tensione di alimentazione trifase 400V. Per selezionare l'alimentazione monofase 230V procedere seguendo l'istruzione al capitolo 7.2

7.1 - Collegamento del cavo di alimentazione trifase

Per eseguire il collegamento elettrico fare riferimento alla **fig. 11**. Ai morsetti L1, L2, L3 e al morsetto PE va collegata una spina CEE da 16A.

7.2 - Collegamento del cavo di alimentazione monofase

Per eseguire il collegamento elettrico fare riferimento alla **fig. 12**. Ai morsetti L1, L3 e al morsetto PE va collegata una spina Schuko.

7.3 - Cambio di alimentazione tramite jumper

L'alimentazione della centrale può essere modificata anche tramite jumper come segue (**fig. 13**)

01. Rimuovere il coperchio superiore

02. Estrarre il jumper (posizione di default 3x400V) tramite una pinza a becchi

03. Inserire il jumper (1x230V)

04. Reinserire il coperchio superiore

7.4 - Descrizione dei collegamenti elettrici (**fig. 14**): alimentazione, dispositivi di sicurezza, comando e accessori

Sugli ingressi 8, 9, 10, 11 è possibile collegare dispositivi di comando con contatti di tipo "Normalmente Aperto" (NA) o "Normalmente Chiuso" (NC). Si può quindi sfruttare uno di questi ingressi o una loro combinazione, oltre eventualmente agli ingressi di STOP/ALT, per collegare ad esempio una pulsantiera esterna o un interruttore con fune collegata al soffitto.

PUSH BUTTONS - ingresso per il collegamento della pulsantiera presente sul coperchio del box.

ENCODER - ingresso per il collegamento del cablaggio del finecorsa elettronico (encoder Nice). Non utilizzabile in questa versione.

COMMON (8) - ingresso a 24 Vdc che funge da comune per gli ingressi OPEN, CLOSE e ING1 e positivo per la tensione ai servizi.

OPEN (9) - ingresso per dispositivi che comandano il movimento di sola apertura; è possibile collegare contatti di tipo "Normalmente Aperto".

CLOSE (10) - ingresso per dispositivi che comandano il movimento di sola chiusura; è possibile collegare contatti di tipo "Normalmente Aperto".

ING1-photo- (11) - ingresso Normalmente Chiuso (NC) per dispositivi che comandano il movimento dell'automazione. Se questo ingresso viene opportunamente programmato con il programmatore Nice Oview, è possibile ottenere i seguenti modi di funzionamento:

- Passo-passo
- Apri parziale
- Apri
- Chiudi
- Foto (default)
- Foto 1
- Alt in apertura
- Alt in chiusura

Per istruzioni su come effettuare la programmazione e descrizione delle funzioni disponibili, consultare le schede funzioni Oview per DPRO500.

ALT - ingresso per dispositivi che arrestano la manovra in corso; collegare contatti di tipo "Normalmente Chiuso".

SAFE - ingresso per collegamento del dispositivo di protezione termica del motore. **ATTENZIONE!** - È usato solo per i motori con finecorsa meccanici. Lasciare "non connesso" nei motori con finecorsa elettronico.

LIMIT SWITCH - ingresso per il collegamento dei finecorsa meccanici.

- (1) Comune finecorsa
- (2) Apertura finecorsa
- (3) Chiusura pre-finecorsa
- (4) Chiusura finecorsa

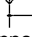
STOP - ingresso per il collegamento di bordi sensibili di tipo resistivi (8k2) oppure ottici (OSE), come descritto di seguito (**fig. 15**):
Collegamento OSE:

- 5 → positivo 12Vdc (+) (filì marroni)
- 6 → segnale (S) (filì verdi)
- 7 → negativo GND (-) (filì bianchi)

Collegamento 8k2:

- Collegare la resistenza da 8,2 kΩ tra i morsetto 6 (segnale - S) e 7 (negativo - GND)

IBT4N - ingresso per il collegamento del programmatore Oview, con l'apposito adattatore IBT4N. **ATTENZIONE** - togliere alimentazione prima collegare/ scollegare il programmatore.

ANTENNA  - ingresso di collegamento dell'antenna per ricevitore radio (nota: l'antenna è incorporata sui lampeggianti Nice LUCY B, MBL, MLBT).

OUT (CONNETTORE PER NDA040) - connettore per scheda accessoria NDA040 che aggiunge due uscite a contatti puliti. Queste uscite possono essere opportunamente programmate con il programmatore Nice Oview. Per istruzioni sulla programmazione e descrizione delle funzioni disponibili, vedere il manuale della scheda accessoria NDA040.

MOTOR - uscita per il collegamento del motore trifase e monofase.

Per motori monofase:

U - comune


V - apre

W - chiude

LINE - ingresso per il collegamento dell'alimentazione elettrica.

L1-L2-L3: collegamento TRIFASE

L1-L3: collegamento MONOFASE

 **PE** - ingresso per il collegamento di terra per centrale di comando e motori.

IMPORTANTE!

Si **SCONSIGLIA** il collegamento di qualsiasi tipo di dispositivo oppure accessorio non espressamente indicato in questo manuale istruzioni.

Il costruttore declina qualsiasi responsabilità per eventuali danni provocati da un uso improprio dei vari dispositivi del sistema, non conforme a quanto indicato nel presente manuale istruzioni.

Per maggiori informazioni rivolgersi al servizio assistenza Nice.

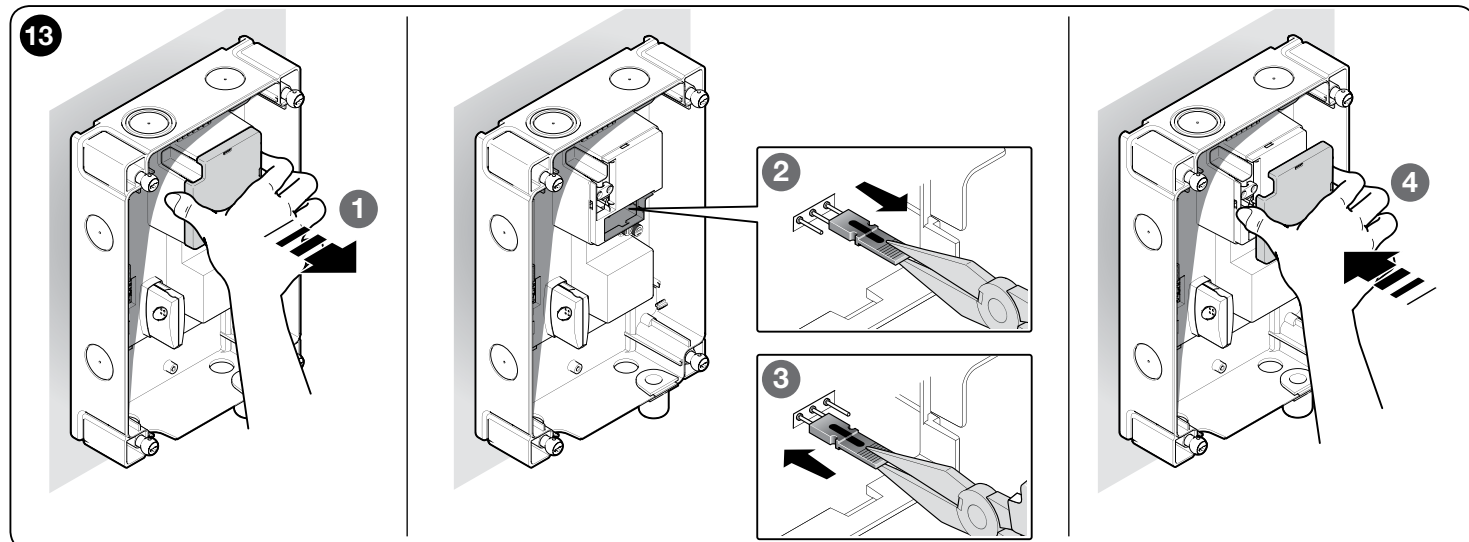
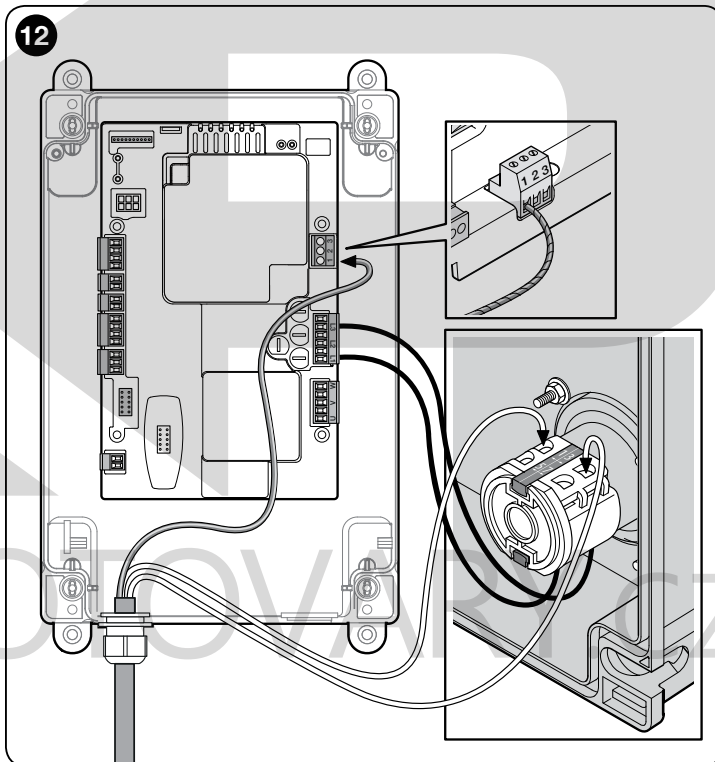
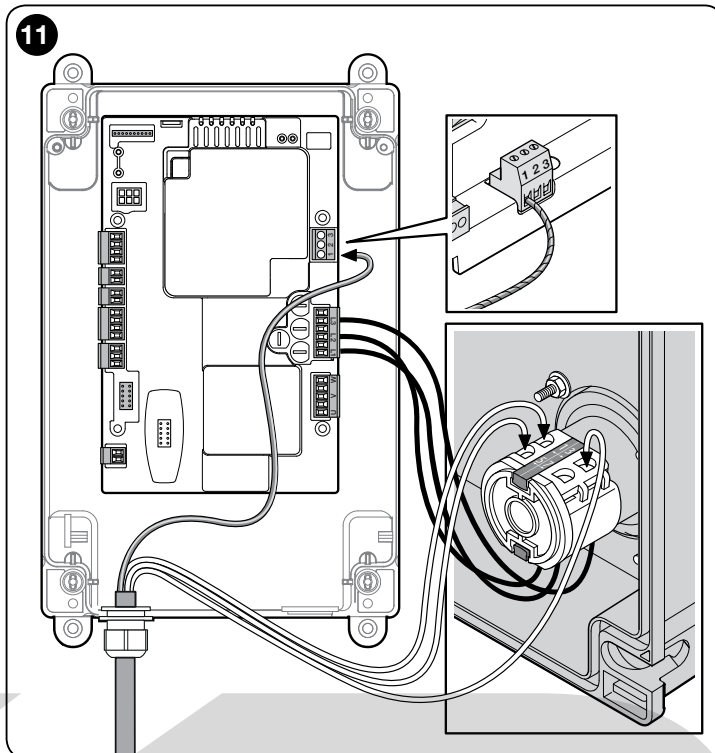
7.5 - Collegamenti elettrici della centrale di comando



ATTENZIONE! - Tutti i collegamenti elettrici devono essere eseguiti in assenza di alimentazione elettrica di rete.

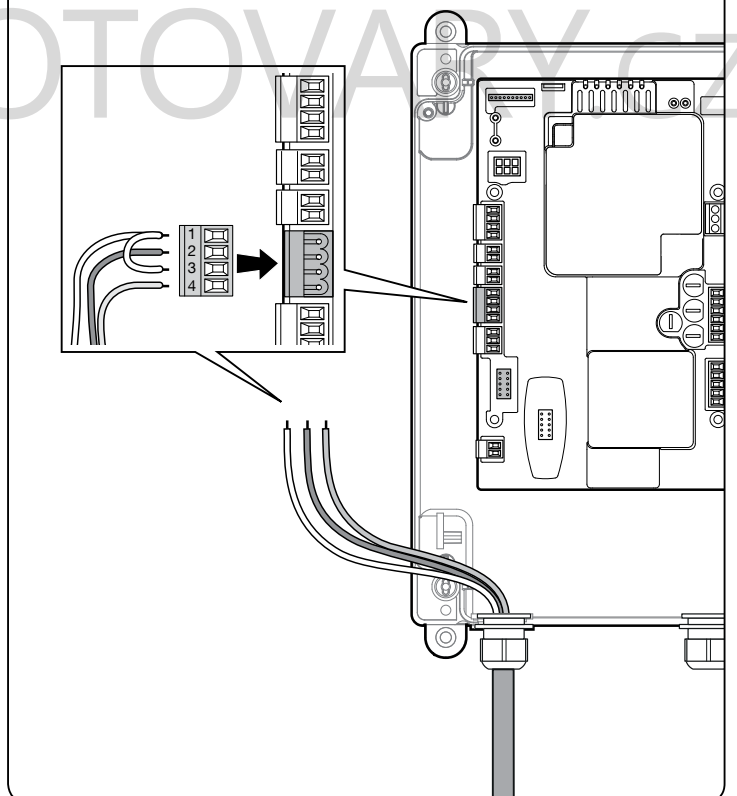
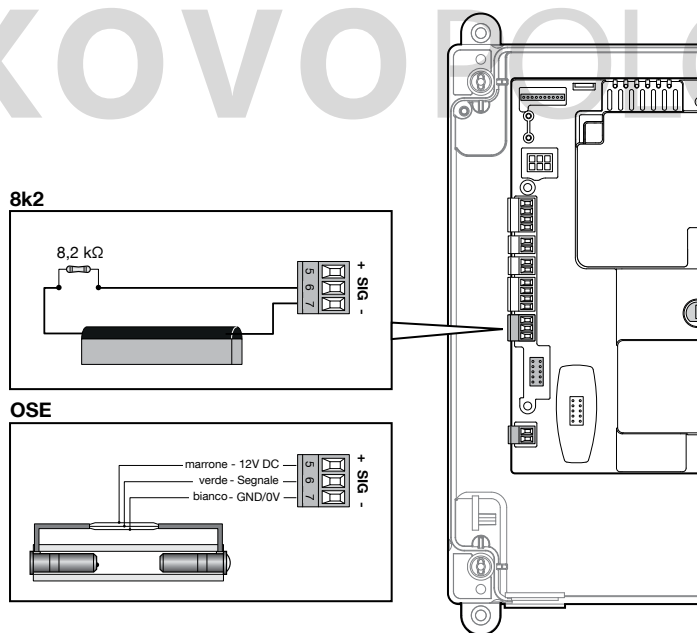
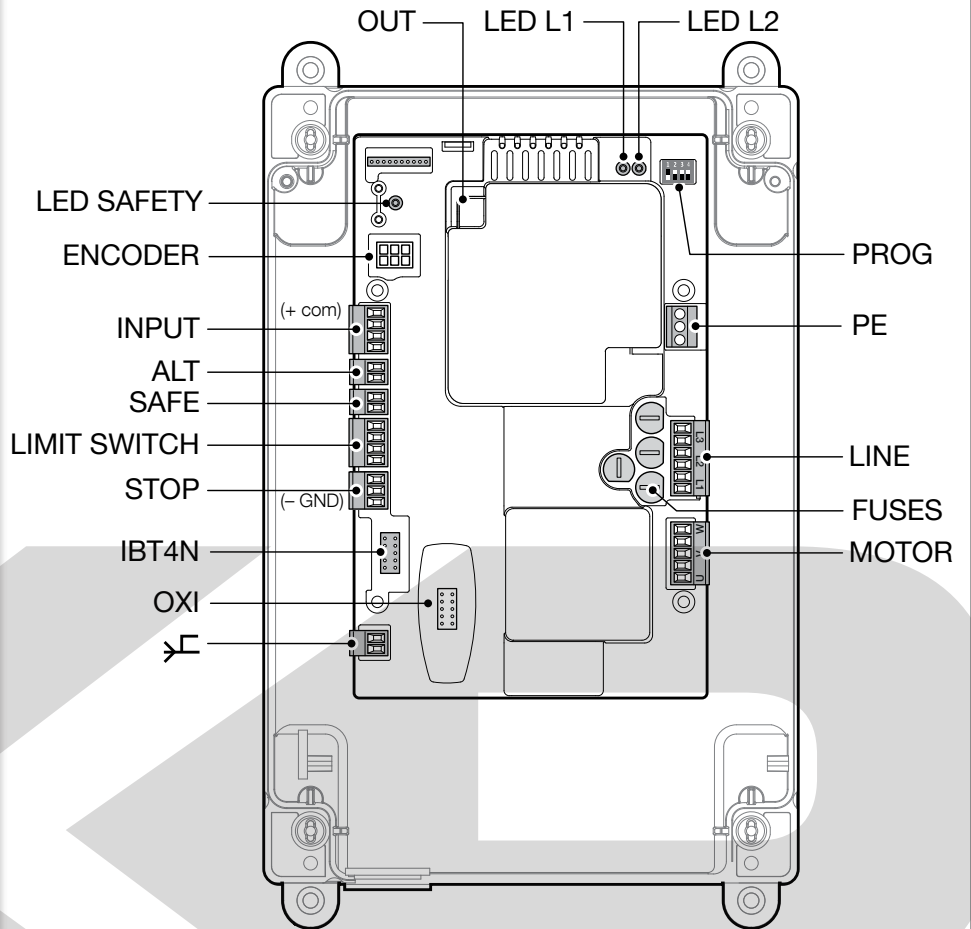
Dopo aver fissato il box della centrale di comando e predisposto i fori per il passaggio dei cavi elettrici (vedere paragrafo 6.3), effettuare i collegamenti elettrici nel modo seguente:

- 01.** Collegare prima il cavo di alimentazione elettrica:
 - per la linea **trifase** vedere paragrafo 7.1 e **fig. 11**
 - per la linea **monofase** vedere paragrafo 7.2 e **fig. 12**
- 02.** Poi, collegare il cavo elettrico proveniente dal motore:
 - Motore con fincorsa meccanica (**fig. 16**)
- 03.** Infine, collegare i cavi elettrici dei vari accessori presenti, facendo riferimento alla **fig. 13** e paragrafo 7.3.

Nota - Per facilitare i collegamenti dei cavi, è possibile estrarre i morsetti dalle proprie sedi.



LED SAFETY	= LED catena di sicurezza
LED L2	= LED OK (verde)
LED L1	= LED Warning (rosso)
OUT	= slot per inserimento scheda accessorio NDA040 espansione uscite
PROG	= DIP switch per programmazione
ENCODER	= finecorsa elettronico
INPUT	= ingressi esterni (Comune,Apri, Chiudi, Ing1(PHOTO) 8 - com (+24Vdc comune) 9 - open (Apri) 10 - close (Chiudi) 11 - photo (ing1)
ALT	= morsetto ALT
SAFE	= solo per i motori con finecorsa meccanici (lasciare non connesso nei motori con finecorsa elettronico)
LIMIT SWITCH	= finecorsa meccanico
STOP	= morsetto STOP usato per bordo di sicurezza 8K2 o OSE 5 - positivo (+) bordo sensibile 6 - segnale bordo sensibile 7 - negativo GND (-)
IBT4N	= connettore per interfaccia IBT4N (non fornito)
OXI	= connettore per il collegamento delle riceventi radio con innesto SM (SMXI/OXI)
	= antenna
	= collegamento di messa a terra
LINE	= connettore per il collegamento della linea di alimentazione trifase o monofase
FUSES	= F1, F2,F3,F4: vedere le Caratteristiche Tecniche"
MOTOR	= motore



7.6 - Ingresso STOP SAFETY EDGE

La funzione dell'ingresso SAFETY EDGE è provocare l'arresto immediato della manovra in atto seguita da una manovra di breve inversione.

A questo ingresso possono essere collegati dispositivi come bordi sensibili ottici (OSE) oppure con uscita a resistenza costante 8.2 kΩ.

La centrale, durante la fase di apprendimento, riconosce il tipo di dispositivo collegato e provoca uno "STOP" quando si verifica una qualsiasi variazione rispetto allo stato appreso.

Con opportuni accorgimenti, è possibile collegare all'ingresso STOP SAFETY EDGE più di un dispositivo, anche di tipo diverso:

- dispositivi NA: collegare la resistenza da 8.2 kΩ in parallelo al dispositivo;
- dispositivi NC: collegare la resistenza da 8.2 kΩ in serie al dispositivo;
- è possibile collegare più dispositivi NC "in serie" tra loro senza limiti di quantità;
- se sono presenti più dispositivi, tutti devono essere collegati "in cascata" con una sola resistenza di terminazione da 8.2 kΩ;
- è possibile creare anche una combinazione di tipo NA ed NC, disponendo i due contatti "in parallelo". In questo caso, occorre porre "in serie" al contatto NC una resistenza da 8.2 kΩ; questo, rende possibile anche la combinazione di tre dispositivi: NA, NC e 8.2 kΩ.

7.7 - Collegamento di un ricevitore radio

La centrale di comando presenta un connettore tipo SM per il collegamento di un ricevitore radio (accessorio opzionale, non fornito) modello SMXI, SMXIS, OXI oppure OXIT e simili.

Per inserire il ricevitore radio, occorre togliere l'alimentazione elettrica di rete alla centrale ed inserire il ricevitore come mostrato in **fig. 17**.

Nella Tabella 2, sono riportate le azioni eseguite dalla centrale di comando in funzione delle uscite attivate oppure dai comandi inviati dal ricevitore radio.

Nota - Per qualsiasi altra informazione, fare riferimento al manuale istruzioni del ricevitore.

TABELLA 2

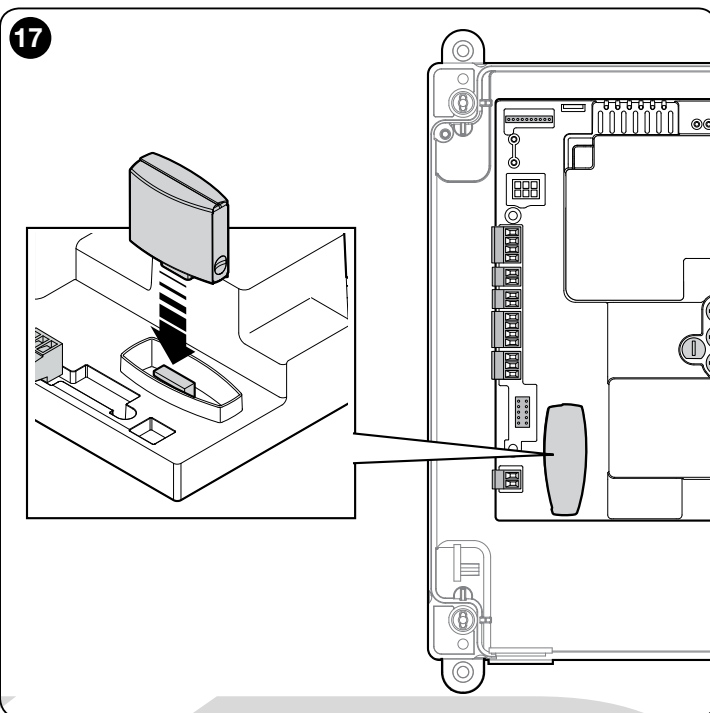
Ricevitore SMXI, SMXIS in "Modo 1 o 2"	
uscita	descrizione
Uscita N°1	Passo-Passo
Uscita N°2	Apre parziale; <u>valore di fabbrica</u> : apre per metà corsa (può essere modificato in fase di acquisizione quote oppure utilizzando il programmatore Oview)
Uscita N°3	Apre
Uscita N°4	Chiude
Ricevitore OXI, OXIT programmato nel "Modo 2 esteso"	
comando	descrizione
Comando n°1	Passo-Passo
Comando n°2	Apre parziale; <u>valore di fabbrica</u> : apre per metà corsa (può essere modificato in fase di acquisizione quote oppure utilizzando il programmatore Oview)
Comando n°3	Apre
Comando n°4	Chiude
Comando n°5	Stop
Comando n°6	Passo-Passo Condominiale
Comando n°7	Passo-Passo Alta priorità
Comando n°8	Apre parziale 2
Comando n°9	Apre parziale 3
Comando n°10	Apre e Blocca automazione
Comando n°11	Chiude e Blocca automazione
Comando n°12	Blocca automazione
Comando n°13	Sblocca automazione
Comando n°14	Luce di cortesia Timer
Comando n°15	Luce di cortesia ON/OFF

7.8 - Prima accensione e verifica dei collegamenti

Dopo aver dato alimentazione elettrica alla centrale di comando, eseguire le seguenti verifiche:

- Verificare che il led verde L2 (vicino ai DIP switch) lampeggi regolarmente con frequenza di 1 lampeggio al secondo.
- Se nell'impianto sono presenti le fotocellule, verificare che i loro led lampeggino (RX); il tipo di lampeggio non è significativo perchè dipende da altri fattori.
- Verificare che il led LED SAFETY rosso vicino al connettore del cavo della tastiera sia permanentemente acceso (vedi Tabella diagnostica Led Safety paragrafo 10.2).

Se almeno una di queste verifiche non corrisponde a quanto richiesto, è necessario togliere l'alimentazione elettrica alla centrale di comando e verificare i vari collegamenti elettrici effettuati precedentemente.



7.9 - Cancellazione totale della memoria della centrale di comando

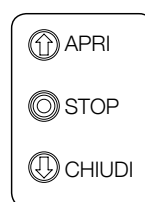
Nella centrale di comando è possibile cancellare tutti i dati memorizzati e riportarla allo stato iniziale con i valori di fabbrica.

- Impostare dip switch 1-2-3-4 su ON = i led verde e rosso iniziano a emettere lampeggi veloci
- Mantenere premuto il tasto STOP per 3 sec. fino a quando i led verde e rosso si accendono con luce fissa
- Rilasciare il tasto STOP
- A questo punto la centrale esegue un RESET = i led verde e rosso iniziano a emettere lampeggi veloci
- Impostare dip switch 1-2-3-4 su OFF

7.10 - Apprendimento dei dispositivi di sicurezza e delle posizioni di Apertura e Chiusura

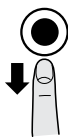
Dopo aver effettuato la prima accensione (paragrafo 7.8), prima di impostare le posizioni di Apertura e Chiusura del cancello, è necessario eseguire il riconoscimento dei dispositivi di sicurezza collegati sull'ingresso "STOP Safety Edge" da parte della centrale di comando.

ATTENZIONE! - Nella fase di apprendimento, deve essere presente almeno un dispositivo di sicurezza collegato alla centrale di comando.



- Impostare dip switch 1 su ON =
- Led verde inizia a emettere lampeggi veloci
- Led rosso è spento
- Mantenere premuto il tasto STOP fino a quando il led rosso si accende con luce fissa (dopo 3 sec. circa)

03. Rilasciare il tasto STOP



Questa procedura deve essere ripetuta se viene eseguita una modifica ai dispositivi collegati al morsetto "STOP Safety Edge" (ad esempio, dopo aver collegato un nuovo dispositivo alla centrale di comando).

Dopo aver eseguito l'apprendimento dei dispositivi di sicurezza presenti nell'automazione, è necessario far riconoscere alla centrale le posizioni di Apertura e Chiusura del cancello.

ATTENZIONE! - La procedura di apprendimento dei dispositivi di sicurezza e delle posizioni di Apertura e Chiusura del cancello, è da farsi di seguito, senza interruzioni. Non è possibile eseguire l'apprendimento dei dispositivi di sicurezza in un momento e l'apprendimento delle posizioni in un secondo.

7.10.1 - Apprendimento delle posizioni di Apertura e di Chiusura con finecorsa meccanico

È possibile programmare 2 posizioni, come descritto di seguito:

Posizione	Significato
Apertura	Quota di massima apertura. Quando il cancello arriva in questa posizione si ferma.
Chiusura	Quota di massima chiusura. Quando il cancello arriva in questa posizione si ferma.

Attenzione! - Se il senso di rotazione non corrisponde alla direzione impostata (tasto Open = direzione apertura), è necessario invertire i collegamenti "V" e "W" (inversione di fase) nel connettore motore (fig. 18).

Per eseguire la procedura, operare come descritto di seguito:

01. Portare il DIP switch 1 in posizione OFF

02. Premere il tasto "Apri" per portare il cancello nella posizione di massima apertura

03. Premere il tasto "Chiudi" per portare il cancello nella posizione di massima chiusura

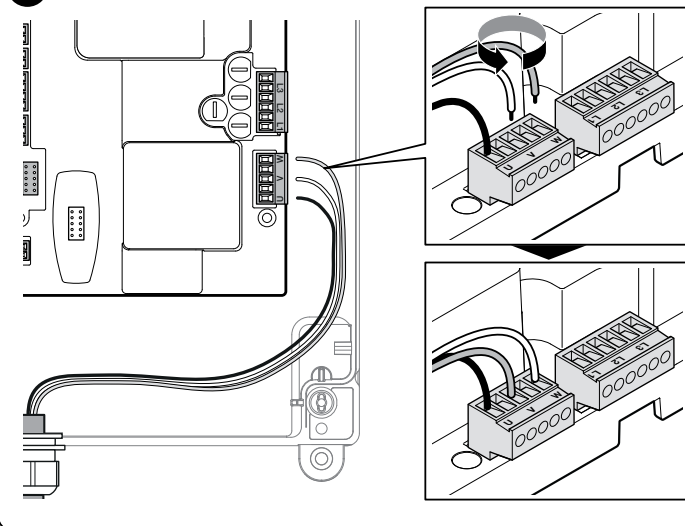
ATTENZIONE! - Le fasi di apprendimento non devono essere interrotte. Se questo avviene, occorre ripetere l'intera procedura di apprendimento. Se al termine della fase di apprendimento il led rosso lampeggia 9 volte-pausa-9 volte, significa che si è verificato un errore. Se invece lampeggia 3 volte-pausa-3 volte resettare l'errore premendo il tasto STOP ed invertire il collegamento del finecorsa di apertura con quello di chiusura al morsetto LIMIT SWITCH (fig. 14). La fase di apprendimento delle posizioni può essere ripetuta in qualsiasi momento anche successivamente all'installazione.

7.11 - Modalità di funzionamento

ATTENZIONE! - Se le funzioni di tabella 3 sono programmate con il programmatore Oview, è necessario impostare i Dip switch = OFF.

TABELLA 3				
DIP1	DIP2	DIP3	DIP4	Funzione
OFF	OFF	OFF	OFF	Movimento a uomo presente
ON	x	OFF	OFF	Acquisizione quote e stato ingresso ALT
OFF	ON	OFF	OFF	Senso di rotazione encoder invertito
OFF	x	OFF	ON	Modo Industriale (apre semiautomatico - chiude uomo presente), se quote apprese
OFF	x	ON	OFF	Modo semiautomatico, se quote apprese
OFF	x	ON	ON	Modo automatico con tempo pausa impostabile, se quote apprese (per le memorizzazioni del tempo pausa, vedere sezione 10.1.2 "Altre funzioni")

18



7.12 - Unità di programmazione Oview

L'utilizzo dell'unità di programmazione Oview consente una completa e rapida gestione della fase d'installazione, di manutenzione e di diagnosi dell'intera automazione.

È possibile collegare Oview alla centrale, tramite l'interfaccia IBT4N utilizzando un cavo bus con 4 fili elettrici all'interno.

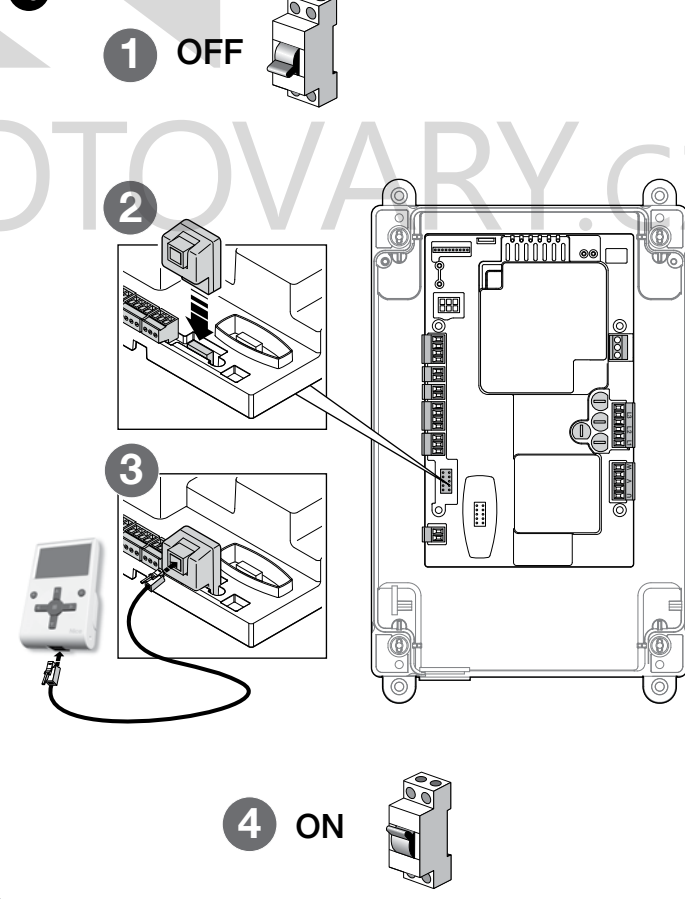
Per accedere al connettore BusT4, è necessario aprire il box della centrale, inserire il connettore IBT4N nell'apposita sede e poi collegare il programmatore Oview (fig. 19).

Oview può essere utilizzato, rispetto alla centrale, ad una distanza massima pari a 100 metri di cavo; può essere collegato simultaneamente a più centrali (fino a 16) e può restare collegato anche durante il normale funzionamento dell'automazione. Per operare con Oview, è molto importante osservare le avvertenze riportate nel manuale istruzioni di Oview.

Se nella centrale di comando è presente un ricevitore radio della serie OXI, utilizzando Oview è possibile avere l'accesso ai parametri dei trasmettitori memorizzati nel ricevitore. Per approfondimenti fare riferimento al manuale istruzioni Oview o la scheda delle funzioni della centrale disponibile sul sito www.niceforyou.com

ATTENZIONE! - Se le funzioni di tabella 3 sono programmate con il programmatore Oview, è necessario impostare i Dip switch = OFF.

19



8 COLLAUDO E MESSA IN SERVIZIO

Le fasi del collaudo e della messa in servizio sono le più importanti durante la realizzazione dell'automazione per garantirne la massima sicurezza. Il collaudo può essere usato anche per verificare periodicamente i dispositivi che compongono l'automazione.

Queste fasi devono essere eseguite da personale qualificato ed esperto che dovrà farsi carico di stabilire le prove necessarie a verificare le soluzioni adottate nei confronti dei rischi presenti e, di verificare il rispetto di quanto previsto da leggi, normative e regolamenti: in particolare, di tutti i requisiti della norma EN 12445 che stabilisce i metodi di prova per la verifica degli automatismi per cancelli e porte. I dispositivi aggiuntivi devono essere sottoposti ad uno specifico collaudo, sia per quanto riguarda la funzionalità sia per quanto riguarda la loro corretta interazione con la centrale; quindi, fare riferimento ai manuali istruzioni dei singoli dispositivi.

8.1 - Collaudo

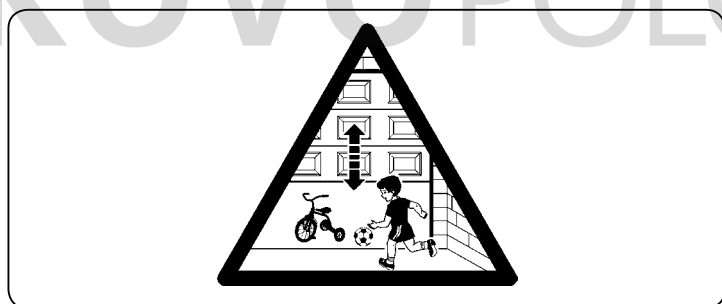
La sequenza di operazioni da eseguire per eseguire il collaudo, descritta di seguito, si riferisce ad un impianto tipico:

- 1 Verificare che sia stato rispettato rigorosamente tutto quello previsto nel capitolo "Avvertenze per l'installazione".
- 2 Sbloccare il motore. Verificare che sia possibile muovere manualmente il cancello in apertura e in chiusura con una forza non superiore a 225N.
- 3 Bloccare il motore.
- 4 Utilizzando i dispositivi di comando (trasmettitore, pulsante di comando, selettore a chiave, ecc.), effettuare delle prove di Apertura, Chiusura ed Arresto del cancello, accertando che il movimento delle ante corrisponda a quanto previsto. Conviene eseguire diverse prove al fine di valutare il movimento del cancello ed accertare eventuali difetti di montaggio, di regolazione, nonché la presenza di particolari punti d'attrito.
- 5 Verificare uno ad uno il corretto funzionamento di tutti i dispositivi di sicurezza presenti nell'impianto (fotocellule, bordi sensibili ecc.).
- 6 Se le situazioni pericolose provocate dal movimento delle ante sono state salvaguardate mediante la limitazione della forza d'impatto si deve eseguire la misura della forza secondo quanto previsto dalla norma EN 12445.

8.2 - Messa in servizio

La messa in servizio può avvenire solo dopo aver eseguito con esito positivo tutte le fasi del collaudo (paragrafo 8.1) della centrale di comando e degli altri dispositivi presenti. **È vietata la messa in servizio parziale o in situazioni "provvisorie".**

- 1 Realizzare e conservare per almeno 10 anni il fascicolo tecnico dell'automazione che dovrà comprendere almeno: disegno complessivo dell'automazione, schema dei collegamenti elettrici, analisi dei rischi e relative soluzioni adottate, dichiarazione di conformità del fabbricante di tutti i dispositivi utilizzati (per la centrale utilizzare la Dichiarazione CE di conformità allegata); copia del manuale di istruzioni per l'uso e del piano di manutenzione dell'automazione.
- 2 Apporre sul cancello una targhetta contenente almeno i seguenti dati: tipo di automazione, nome e indirizzo del costruttore (responsabile della "messa in servizio"), numero di matricola, anno di costruzione e marchio "CE".
- 3 Fissare in maniera permanente in prossimità del cancello un'etichetta o una targa con indicate le operazioni per lo sblocco e la manovra manuale.
- 4 Fissare in maniera permanente sul cancello una etichetta o targa con questa immagine (altezza minima 60 mm).



- 5 Realizzare e consegnare al proprietario la dichiarazione di conformità dell'automazione.
- 6 Realizzare e consegnare al proprietario il manuale di "Istruzioni ed avvertenze per l'uso dell'automazione".
- 7 Realizzare e consegnare al proprietario il piano di manutenzione dell'automazione (che deve raccogliere tutte le prescrizioni sulla manutenzione dei singoli dispositivi).

9 INSTALLAZIONE E COLLEGAMENTO ELETTRICO DI DUE CENTRALI ELETTRICHE DI DUE CENTRALI PER FUNZIONAMENTO AD ANTE CONTRAPPOSTE

Per realizzare un'automazione composta da due ante che si muovono in modo contrapposto, è necessario usare due centrali collegate come indicato nella **fig. 20**.

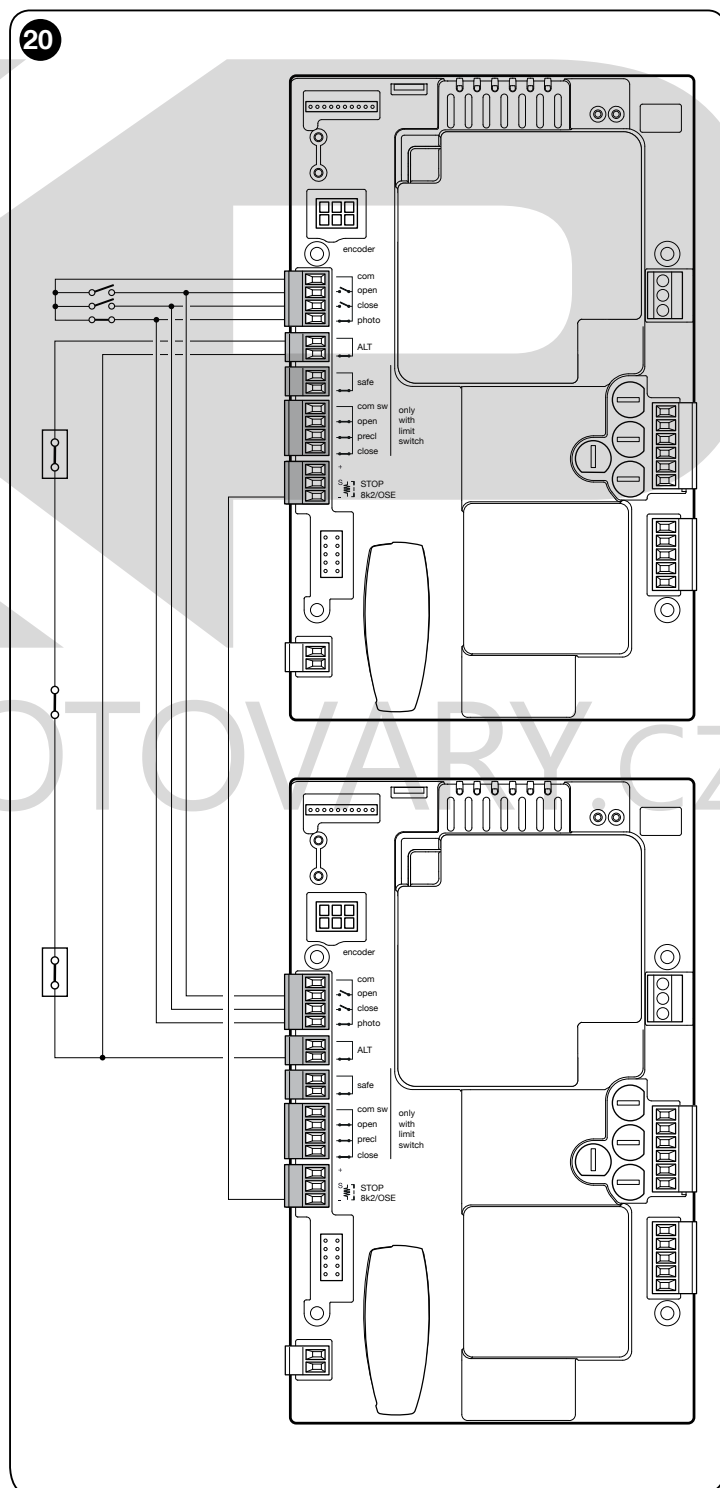
I motori e i fincorsa devono essere collegati ad ogni centrale. Il lampeggiante e l'uscita SCA (Spia Cancelli Aperti) possono essere collegati indifferentemente ad una delle due centrali oppure essere installati uno per ogni centrale (**fig. A** pag. 6).

Gli ingressi devono essere posti in parallelo tra loro; l'ingresso "Comune" può essere collegato ad una delle due centrali.

Collegare in parallelo i morsetti "-" del bordo Sensibile (8k2/OSE) delle due centrali. Configurare l'ingresso di "Aprire" come "Condominiale", usando il programmatore O-View che permette di risincronizzare le ante qualora le due centrali perdano il sincronismo.

Con questa configurazione si ricorda che:

- l'intervento del bordo sensibile ha effetto solo sulla singola anta;
- il tasto rosso STOP ha effetto solo sulla singola anta;
- l'intervento della protezione termica ha effetto solo sulla singola anta.



10.1 - Approfondimenti

10.1.1 - Segnalazioni all'accensione

All'accensione della centrale DPRO500, il comportamento dei led L2 OK verde e L1 WARNING rosso, è significativo, come illustrato in Tabella 4. In particolare, le informazioni segnalate sono:

- Se l'acquisizione delle posizioni di apertura e chiusura è corretta;
- Se l'acquisizione della sicurezza (bordo sensibile) è corretta e che tipo di sicurezza è stato riconosciuto.

TABELLA 4

Segnalazioni all'accensione	Segnalazione	
	Led L2 OK VERDE	Led L1 WARNING ROSSO
Memoria bianca (nessuna posizione e sicurezza acquisita)	Lampeggio veloce per 5 secondi	Lampeggio veloce per 5 secondi
Posizioni acquisite correttamente e sicurezza "8k2" riconosciuta	Lampeggio veloce per 2 secondi	Un solo lampeggio lento
Posizioni acquisite correttamente e sicurezza "OSE" riconosciuta	Lampeggio veloce per 2 secondi	Due lampeggi lenti

Dopo le segnalazioni come in Tabella 4, la centrale DPRO500 mostra eventuali errori attraverso la diagnostica fatta tramite i led L2 OK e L1 WARNING.

10.1.2 - Altre funzioni

Spia di stato e diagnostica (morsetto sulla tastiera)

La centrale prevede la possibilità di collegare una spia da 24 V - 5 W max al morsetto "spia" della scheda pulsantiera che si trova all'interno del coperchio del box (fig. 21: morsetto 1 -, 2 +). La "spia" può essere installata sullo stesso coperchio, forandolo oppure esternamente alla centrale con una distanza massima di 2 m da quest'ultima.

ATTENZIONE! - L'uscita non è protetta da cortocircuito.

Questa "spia" funziona nel modo seguente:

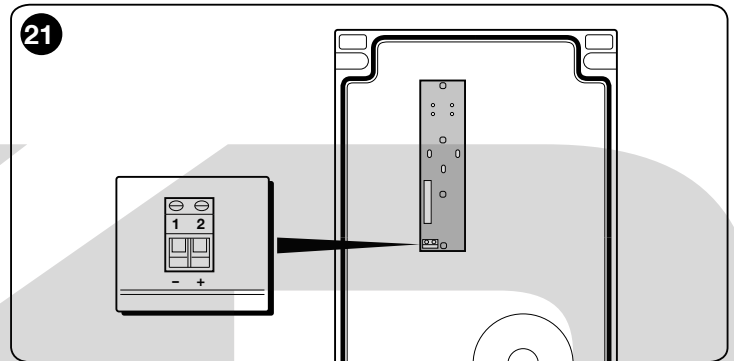
- spenta quando la catena di sicurezza è aperta (ing ALT, pulsante STOP rosso, termica o sblocco)
- lampeggia 0.5s ON, 0.5s OFF quando funziona correttamente
- riporta la stessa diagnostica del led L1 WARNING rosso quando ci sono degli "errori gravi" (paragrafo 10.2).

Impostazione del tempo pausa di chiusura automatica

- 1 Portare il DIP switch 3 e 4 in posizione ON.
- 2 Con un comando di apertura, portare la porta in posizione di massima apertura.
- 3 Una volta raggiunta questa posizione, aspettare il tempo pari al tempo pausa di chiusura automatica desiderato e dare un comando di chiusura. Il tempo pausa della chiusura automatica è ora memorizzato.

Per modificare il valore del tempo pausa portare il dip 3 e 4 on OFF e poi nuovamente in ON. A questo punto è necessario ripetere la sequenza di apertura, tempo pausa, chiusura.

ATTENZIONE! - Quando il DIP switch 4 viene portato in posizione OFF, il tempo pausa è cancellato.



10.2 - Diagnostica

Alcuni dispositivi sono predisposti per emettere delle segnalazioni con il quale è possibile riconoscere lo stato di funzionamento oppure di eventuali anomalie. La tabella seguente descrive le varie segnalazioni per tipo di problema. Le segnalazioni vengono eseguite attraverso opportuni lampeggi dei led L2 OK verde e L1 WARNING rosso e di un eventuale lampeggiante collegate alle uscite della centrale, appositamente programmate.

DIAGNOSTICA LED L2 OK VERDE

Segnalazione	Causa	Soluzione	Lampeggiante
2 lampeggi - pausa corta 2 lampeggi - pausa lunga	Intervento di una fotocellula	All'inizio della manovra una o più fotocellule non danno il consenso al movimento; verificare se sono presenti ostacoli o se le fotocellule si interferiscono a vicenda con l'infrarosso. Quando le sicurezze sono intervenute è possibile comandare l'automazione a uomo presente tramite i comandi filari. Non è possibile inviare i comandi via radio.	Lampeggio
4 lampeggi - pausa corta 4 lampeggi - pausa lunga	Intervento dell'ingresso STOP	All'inizio della manovra o durante il movimento c'è stato un intervento dell'ingresso di STOP o ALT; verificare la causa. Quando le sicurezze sono intervenute è possibile comandare l'automazione a uomo presente tramite i comandi filari. Non è possibile inviare i comandi via radio.	Lampeggio
6 lampeggi - pausa corta 6 lampeggi - pausa lunga	Limitatore di manovre	---	Lampeggio
9 lampeggi - pausa corta 9 lampeggi - pausa lunga	Automazione bloccata	Inviare il comando "Sblocca automazione" oppure comandare la manovra con "Passo Passo Alta priorità".	Lampeggio
Accensione dei led per 3 secondi	Blocco automazione	---	Lampeggio
2 lampeggi di 1 secondo pausa 1.5 secondi	Automazione sbloccata	---	Lampeggio

DIAGNOSTICA LED L1 WARNING ROSSO

⚠ Alcune segnalazioni sono cancellabili premendo il pulsante rosso di STOP

Segnalazione	Causa	Soluzione	Lampeggiante
5 lampeggi - pausa corta 5 lampeggi - pausa lunga	Errore EEPROM - Errore nei parametri interni della centrale di comando	Togliere e ridare alimentazione. Se l'errore persiste eseguire la "Cancellazione totale della memoria" come descritto nel paragrafo 7.8 e rifare l'installazione; se lo stato rimane, potrebbe esserci un guasto grave ed occorre sostituire la scheda elettronica.	Lampeggio
2 lampeggi - pausa corta 2 lampeggi - pausa lunga	Errore Test Sicurezze	Eseguire nuovamente la procedura di apprendimento dei dispositivi di sicurezza collegati alla centrale (paragrafo 7.9).	---
3 lampeggi - pausa corta 3 lampeggi - pausa lunga	Errore senso di rotazione Encoder o finecorsa invertito	Invertire il senso di rotazione dell'encoder posizionando su ON il DIP switch 2 (vedere paragrafo 7.10). Se il motore è con finecorsa meccanico, resettare l'errore premendo il tasto STOP ed invertire il collegamento del finecorsa di apertura con quello di chiusura al morsetto LIMIT SWITCH (fig. 14).	

4 lampeggi - pausa corta 4 lampeggi - pausa lunga	Errore finecorsa di sicurezza	Il cancello ha oltrepassato i finecorsa di sicurezza, in Apertura o Chiusura. Riportare manualmente il cancello a circa metà altezza con il sistema di manovra d'emergenza (vedere il manuale del motore) e premere il pulsante STOP sul coperchio per ripristinare il funzionamento. Valutare se è necessario modificare le posizioni di Apertura/Chiusura apprese in precedenza.	---
6 lampeggi - pausa corta 6 lampeggi - pausa lunga	Errore teleruttore	Scollegare per qualche secondo tutti i circuiti di alimentazione, poi riprovare a inviare un comando; se lo stato rimane, potrebbe esserci un guasto grave sulla scheda oppure sui collegamenti del motore. Fare le verifiche ed eventuali sostituzioni.	---
7 lampeggi - pausa corta 7 lampeggi - pausa lunga	Errore comunicazione RS485 Encoder	Verificare la corretta connessione del cavo motore-centrale, in particolare quella del cavo encoder (6 fili colorati).	---
8 lampeggi - pausa corta 8 lampeggi - pausa lunga	Errore encoder	Verificare la corretta connessione del cavo motore-centrale, in particolare quella del cavo encoder (6 fili colorati). Eseguire nuovamente la procedura di apprendimento delle posizioni di Apertura e Chiusura.	---
9 lampeggi - pausa corta 9 lampeggi - pausa lunga	Errore acquisizione finecorsa	Ripetere nuovamente la procedura di apprendimento delle posizioni di Apertura e Chiusura.	---
10 lampeggi - pausa corta 10 lampeggi - pausa lunga	Errore time-out manovra	Il valore di default del time-out manovra è 60 secondi. Verificare che non ci siano impedimenti al movimento del cancello e che il cancello abbia effettivamente eseguito il movimento. Verificare (col programmatore Oview se disponibile) se il durata del timer è stata modificata. Eseguire nuovamente l'apprendimento delle posizioni di Apertura e Chiusura.	---

Nota – la segnalazione diagnostica con lampeggio dei led si interrompe nel momento in cui viene dato un comando alla centrale. La segnalazione diagnostica utilizzando un lampeggiante esterno* continua per due sequenze di lampeggi (es. una sequenza di “3 lampeggi - pausa corta - 3 lampeggi - pausa lunga” ripetuta due volte).

IMPORTANTE: per collegare il lampeggiante esterno è necessario l'utilizzo della scheda aggiuntiva NDA040 (non fornita).

*** Configurato con programmatore Oview come “Lampeggiante 1”.**

DIAGNOSTICA LED L1 e L2

Segnalazione	Causa
Lampeggio veloce alternato led rosso e led verde	Fase di aggiornamento firmware in corso
4 lampeggi - pausa - 4 lampeggi contemporaneamente dei led	In attesa di aggiornamento firmware

DIAGNOSTICA LED SAFETY

Segnalazione	Causa	Soluzione
Acceso	Funzionamento corretto	---
Spento	Catena di sicurezza aperta	La catena di sicurezza è composta dalla serie degli ingressi (ALT, Stop da tasto, termica motore, sblocco motore). Chiudere il circuito

11 COSA FARE SE...

(guida alla risoluzione dei problemi)

Di seguito, sono riportati gli eventuali casi di malfunzionamento che possono verificarsi durante la fase d'installazione oppure in caso di guasto e i rimedi possibili:

- **Il motore è fermo, non si comanda nessuna manovra ed il led rosso esegue dei lampeggi:** verificare il tipo di lampeggio controllando la tabella di Diagnostica led L1 warning (paragrafo 10.2) e premere il pulsante rosso STOP per cancellare la diagnostica.
- **Il trasmettitore radio non comanda il movimento ed il led sul trasmettitore non si accende:** verificare se le pile del trasmettitore sono scariche ed eventualmente sostituirle.
- **Il trasmettitore radio non comanda il movimento ma il led sul trasmettitore si accende:** verificare se il trasmettitore è correttamente memorizzato nel ricevitore radio. Inoltre, verificare sul trasmettitore la corretta emissione del segnale radio, eseguendo la seguente prova empirica: premere un tasto qualsiasi del trasmettitore e appoggiare il suo led sull'antenna di un comune apparecchio radio in funzione e sintonizzato sulla banda FM alla frequenza di 108,5 Mhz oppure la più prossima; in questo modo, si dovrebbe sentire un leggero rumore con pulsazione gracchiate.
- **Inviando un comando non viene eseguita nessuna manovra e il led OK non lampeggia:** verificare che la centrale sia alimentata con la tensione di rete a 230/400V. Inoltre, verificare che i fusibili non siano interrotti; in questo caso, verificare la causa del guasto e poi sostituirli con altri con le stesse caratteristiche.
- **Inviando un comando non viene eseguita nessuna manovra e il lampeggiante è spento:** verificare che il comando venga effettivamente ricevuto; se il comando inviato arriva all'ingresso PP, il led OK esegue un doppio lampeggio per segnalare che il comando è stato ricevuto.
- **La manovra non parte e il lampeggiante emette alcuni lampeggi:** contare il numero di lampeggi e verificare il significato dei lampeggi nella tabella di diagnostica (paragrafo 10.2)
- **Il motore gira al contrario:**
 - per il motore trifase, è necessario invertire le fasi “V” e “W” del motore
 - per il motore monofase, è necessario invertire le fasi “V” e “W” del motore
- **La manovra parte e si ferma dopo poco:** verificare la causa tramite la diagnostica dei Led presenti sulla centrale di comando.
- **Il led L1 WARNING rosso, emette 9 lampeggi seguiti da una pausa:** si è verificato un errore nella procedura di apprendimento delle quote di apertura e chiusura. È necessario eseguire una cancellazione della memoria (vedi 7.9) e ripetere l'apprendimento delle quote (vedi 7.10).

12 SMALTIMENTO DEL PRODOTTO

Questo prodotto è parte integrante dell'automazione, e dunque deve essere smaltito insieme con essa.

Come per le operazioni d'installazione, anche al termine della vita di questo prodotto, le operazioni di smantellamento devono essere eseguite da personale qualificato.

Questo prodotto è costituito da vari tipi di materiali: alcuni possono essere riciclati, altri devono essere smaltiti. Informatevi sui sistemi di riciclaggio o smaltimento previsti dai regolamenti vigenti sul vostro territorio, per questa categoria di prodotto.

Attenzione! – Alcune parti del prodotto possono contenere sostanze inquinanti o pericolose che, se disperse nell'ambiente, potrebbero provocare effetti dannosi sull'ambiente stesso e sulla salute umana.



Come indicato dal simbolo a lato, è vietato gettare questo prodotto nei rifiuti domestici. Eseguire quindi la "raccolta separata" per lo smaltimento, secondo i metodi previsti dai regolamenti vigenti sul vostro territorio, oppure riconsegnare il prodotto al venditore nel momento dell'acquisto di un nuovo prodotto equivalente.

Attenzione! – i regolamenti vigenti a livello locale possono prevedere pesanti sanzioni in caso di smaltimento abusivo di questo prodotto.

13 CARATTERISTICHE TECNICHE DEL PRODOTTO

AVVERTENZE: • Tutte le caratteristiche tecniche riportate, sono riferite ad una temperatura ambientale di 20°C (± 5°C). • Nice S.p.A. si riserva il diritto di apportare modifiche al prodotto in qualsiasi momento lo riterrà necessario, mantenendone comunque la stessa funzionalità e destinazione d'uso.

Tipologia	Motoriduttore elettromeccanico autofrenante per il movimento automatico di cancelli scorrevoli per uso industriale completo di centrale elettronica di controllo DPRO500
Pignone	Z = 18; Modulo = 6; Passo = 18.8
Coppia massima allo spunto	216 Nm
Coppia nominale	65 Nm
Velocità alla coppia nominale	0.16m/s (9,50m/min)
Limiti d'impiego	Generalmente TUB4000 è in grado di automatizzare cancelli con peso fino a 4000 kg e lunghezza fino a 30 m
Alimentazione	3~ 400 Vac +/-10%; 50 Hz.
Potenza nominale assorbita	580 W
Corrente nominale assorbita	1,6 A
Classe di isolamento	1 (è necessaria la messa a terra di sicurezza)
Temperatura di funzionamento	-20°C ... 55°C
Grado di protezione	IP 54
Dimensioni (mm)	580 x 480 x 240
Peso	60 kg

KOVOPOLOTOVARY.CZ

Dichiarazione di Conformità UE (N. 624/TUB4) e dichiarazione di incorporazione di “quasi macchina”

Nota - Il contenuto di questa dichiarazione corrisponde a quanto dichiarato nel documento ufficiale depositato presso la sede di Nice S.p.A., e in particolare, alla sua ultima revisione disponibile prima della stampa di questo manuale. Il testo qui presente è stato riadattato per motivi editoriali. Copia della dichiarazione originale può essere richiesta a Nice S.p.A. (TV) Italy.

Revisione: 2

Lingua: IT

Nome produttore: NICE S.p.A.

Indirizzo: Via Pezza Alta N°13, 31046 Rustignè di Oderzo (TV) Italy

Persona autorizzata a costituire la documentazione tecnica: NICE S.p.A.

Indirizzo: Via Pezza Alta N°13, 31046 Rustignè di Oderzo (TV) Italy

Tipo di prodotto: Motoriduttore elettromeccanico trifase 400V

Modello / Tipo: TUB4000

Accessori: Ricevitori radio mod. SMXI, SMXIS e ONEXI, OXI, OXIBD, OXILR, OVIEW
Bordo sensibile ottico TMF, NDA040
Fotocellule ERA famiglia S, M, L

Il sottoscritto Roberto Griffa in qualità di Amministratore Delegato, dichiara sotto la propria responsabilità che il prodotto sopra indicato risulta conforme alle disposizioni imposte dalle seguenti direttive:

- Direttiva 2014/30/UE (EMC) EN 61000-6-2:2005 - EN 61000-6-3:2007+A1:2011

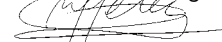
Inoltre il prodotto risulta essere conforme alla seguente direttiva secondo i requisiti previsti per le “quasi macchina” (Allegato II, parte 1, sezione B):

- Direttiva 2006/42/CE DEL PARLAMENTO EUROPEO E DEL CONSIGLIO del 17 maggio 2006 relativa alle macchine e che modifica la direttiva 95/16/CE (rifusione).
 - Si dichiara che la documentazione tecnica pertinente è stata compilata in conformità all'allegato VII B della direttiva 2006/42/CE e che sono stati rispettati i seguenti requisiti essenziali: 1.1.1- 1.1.2- 1.1.3- 1.2.1-1.2.6- 1.5.1-1.5.2- 1.5.5- 1.5.6- 1.5.7- 1.5.8- 1.5.10- 1.5.11
 - Il produttore si impegna a trasmettere alle autorità nazionali, in risposta ad una motivata richiesta, le informazioni pertinenti sulla “quasi macchina”, mantenendo impregiudicati i propri diritti di proprietà intellettuale.
 - Qualora la “quasi macchina” sia messa in servizio in un paese europeo con lingua ufficiale diversa da quella usata nella presente dichiarazione, l'importatore ha l'obbligo di associare alla presente dichiarazione la relativa traduzione.
 - Si avverte che la “quasi macchina” non dovrà essere messa in servizio finché la macchina finale in cui sarà incorporata non sarà a sua volta dichiarata conforme, se del caso, alle disposizioni della direttiva 2006/42/CE.

Inoltre il prodotto risulta conforme alle seguenti norme: EN 60335-1:2012+A11:2014, EN 62233:2008, EN 60335-2-103:2015

Luogo e Data: Oderzo, 19/12/2017

Ing. **Roberto Griffa**
(Amministratore delegato)



▲ Si consiglia di conservare questa guida all'uso e consegnarla a tutti gli utilizzatori dell'automatismo.

AVVERTENZE

- Sorvegliare il cancello in movimento e tenersi a distanza di sicurezza finché il cancello non si sia completamente aperto o chiuso; non transitare nel passaggio fino a che il cancello non sia completamente aperto e fermo.
- Non lasciare che i bambini giochino in prossimità del cancello o con i comandi dello stesso.
- Tenere i trasmettitori lontano dai bambini.
- Sospendere immediatamente l'uso dell'automatismo non appena notate un funzionamento anomalo (rumori o movimenti a scossoni); il mancato rispetto di questa avvertenza può comportare gravi pericoli e rischi di infortuni.
- Non toccare nessuna parte mentre è in movimento.
- Fate eseguire i controlli periodici secondo quanto previsto dal piano di manutenzione.
- Manutenzioni o riparazioni devono essere effettuate solo da personale tecnico qualificato.
- Inviare un comando con i dispositivi di sicurezza fuori uso:

Nel caso in cui le sicurezze non dovessero funzionare correttamente o dovessero essere fuori uso, è possibile comunque comandare il cancello.

Quando le sicurezze sono intervenute è possibile comandare l'automazione a uomo presente tramite i comandi filari. Non è possibile inviare i comandi via radio.

Con le sicurezze fuori uso è necessario far riparare quanto prima l'automatismo.

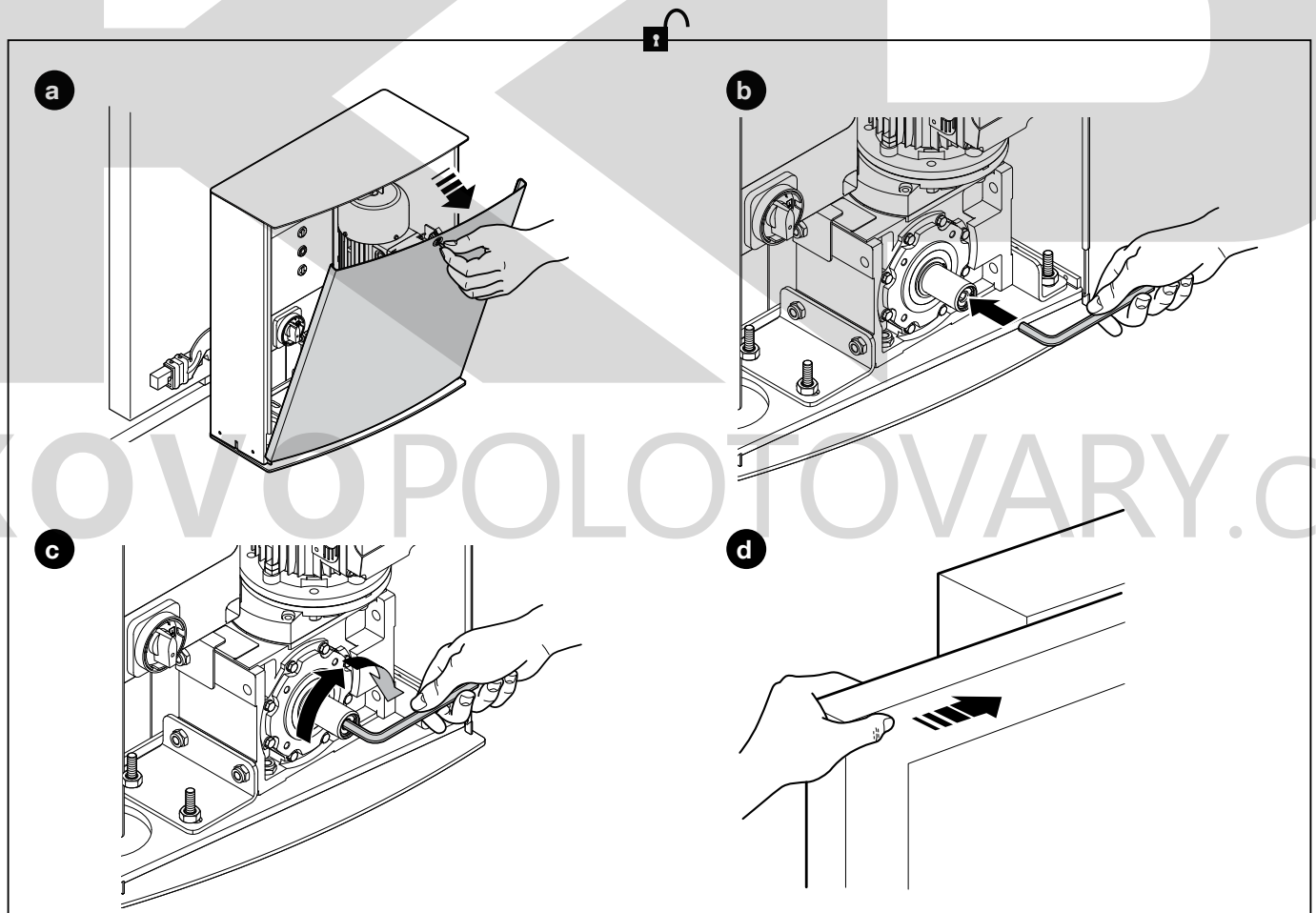
Sbloccare e bloccare il motoriduttore (manovra manuale)

Il motoriduttore è dotato di un sistema meccanico che consente di aprire e chiudere il cancello manualmente.

L'operazione manuale deve essere eseguita nel caso di mancanza di corrente o di anomalie dell'impianto.

In caso di guasto al motoriduttore è comunque possibile provare ad utilizzare lo sblocco del motore per verificare se il guasto non risiede nel meccanismo di sblocco.

Per bloccare il motoriduttore, eseguire al contrario le operazioni descritte di seguito.



Interventi di manutenzione concessi all'utilizzatore

Di seguito sono elencati gli interventi che l'utilizzatore deve eseguire periodicamente:

- Pulizia superficiale dei dispositivi: utilizzare un panno leggermente umido (non bagnato). Non utilizzare sostanze contenenti alcool, benzene, diluenti o altre sostanze infiammabili; l'uso di tali sostanze potrebbe danneggiare i dispositivi e generare incendi o scosse elettriche.
- Rimozione di foglie e sassi: togliere l'alimentazione all'automazione prima di procedere, per impedire che qualcuno possa azionare il cancello. Se è presente una batteria tampone, scollegare anche quella.



KOVOPOLOTOVARY.cz

RECOMMANDATIONS GÉNÉRALES : SÉCURITÉ - INSTALLATION - UTILISATION

(instructions traduites de l'italien)

▲ Les recommandations suivantes sont transcrites directement des réglementations et, dans la mesure du possible, applicables au produit en question

ATTENTION Instructions importantes pour la sécurité. Il est important de suivre toutes les instructions fournies étant donné qu'une installation incorrecte est susceptible de provoquer des dommages graves

ATTENTION Instructions importantes pour la sécurité. Pour la sécurité des personnes, il est important de suivre ces instructions. Conserver ces instructions

- Avant de commencer l'installation, vérifier les « Caractéristiques techniques du produit » en s'assurant notamment qu'il est bien adapté à l'automatisation de votre pièce guidée. Dans le cas contraire, NE PAS procéder à l'installation
- Le produit ne peut pas être utilisé avant d'avoir effectué la mise en service comme l'explique le chapitre « Essai et mise en service »

ATTENTION Conformément à la législation européenne actuelle, la réalisation d'un automatisme implique le respect des normes harmonisées prévues par la Directive Machines en vigueur, qui permettent de déclarer la conformité présumée de l'automatisme. De ce fait, toutes les opérations de branchement au secteur électrique, d'essai, de mise en service et d'entretien du produit doivent être effectuées exclusivement par un technicien qualifié et compétent !

- Avant l'installation du produit, s'assurer que tout le matériel à utiliser est en excellent état et adapté à l'usage prévu
- Le produit ne peut être utilisé par des personnes (y compris des enfants) dont les capacités physiques, sensorielles ou mentales sont limitées, ou ne disposant pas de l'expérience ou des connaissances nécessaires
- Les enfants ne doivent pas jouer avec l'appareil
- Ne pas laisser les enfants jouer avec les dispositifs de commande du produit. Conserver les télécommandes hors de la portée des enfants

ATTENTION Afin d'éviter tout danger dû au réarmement accidentel du disjoncteur, cet appareil ne doit pas être alimenté par le biais d'un dispositif de manœuvre externe, par ex : temporisateur, ou bien être connecté à un circuit régulièrement alimenté ou déconnecté par la ligne

- Sur le réseau d'alimentation de l'installation, prévoir un disjoncteur (vendu séparément) ayant un écart d'ouverture entre les contacts qui garantisse la coupure complète du courant électrique dans les conditions prévues pour la catégorie de surtension III
- Pendant l'installation, manipuler le produit avec soin en évitant tout écrasement, choc, chute ou contact avec des liquides de quelque nature que ce soit. Ne pas positionner le produit près de sources de chaleur, ni l'exposer à des flammes nues. Toutes ces actions peuvent l'endommager et créer des dysfonctionnements ou des situations de danger. Le cas échéant, suspendre immédiatement l'installation et s'adresser au service après-vente
- Le fabricant décline toute responsabilité en cas de dommages patrimoniaux causés à des biens ou à des personnes dérivant du non-respect des instructions de montage. Dans ces cas, la garantie pour défauts matériels est exclue
- Le niveau de pression acoustique d'émission pondérée A est inférieur à 70 dB(A)
- Le nettoyage et l'entretien qui doivent être effectués par l'utilisateur ne doivent pas être confiés à des enfants sans surveillance
- Avant toute intervention (entretien, nettoyage), il faut toujours débrancher le produit du secteur
- Contrôler fréquemment l'installation, en particulier les câbles, les ressorts et les supports pour repérer d'éventuels déséquilibres et signes d'usure ou de dommages. Ne pas utiliser l'installation en cas de réparations ou de réglages nécessaires étant donné qu'une panne ou un mauvais équilibre de la porte peut provoquer des blessures
- Les matériaux d'emballage du produit doivent être mis au rebut dans le plein respect des normes locales en vigueur
- Éloigner les personnes de la porte lors de son actionnement au moyen des éléments de commande
- Durant cette opération, contrôler l'automatisme et s'assurer que les personnes restent bien à une distance de sécurité jusqu'à la fin de la manœuvre
- Ne pas activer le produit lorsque des personnes effectuent des travaux sur l'automatisme ; débrancher l'alimentation électrique avant de permettre la réalisation de ces travaux
- Tout câble d'alimentation détérioré doit être remplacé par le fabricant, ou par son service d'assistance technique, ou par un technicien possédant son même niveau de qualification, de manière à prévenir tout risque

INSTRUCTIONS D'INSTALLATION

- Avant d'installer la motorisation, contrôler que tous les organes mécaniques sont en bon état, qu'ils sont correctement équilibrés et qu'aucun obstacle n'empêche le bon actionnement de l'automatisme
- Si le portail à automatiser est équipé d'une porte piétonne, préparer l'installation avec un système de contrôle qui désactive le fonctionnement du moteur lorsque la porte piétonne est ouverte
- S'assurer que les éléments de commande sont bien à l'écart des organes en mouvement tout en restant directement visibles. Sous réserve de l'utilisation d'un sélecteur, les éléments de commande doivent être installés à une hauteur minimale de 1,5 mètre et ne doivent pas être accessibles

Recommandations particulières sur les Directives européennes applicables au produit

- Règlement « Produits de construction » : Recommandations particulières relatives à ce produit et basés sur le Règlement 305/2011 :
 - L'installation complète de ce produit, conformément à ce manuel et pour certains types d'utilisation (exception faite de l'utilisation uniquement pour les véhicules), peut être soumise aux prescriptions du Règlement 305/2011 et de la norme harmonisée correspondante EN 13241-1.
 - Il faut appliquer les critères d'installation nécessaires pour que le produit réponde aux conditions essentielles du Règlement 305/2011. Quiconque procède à l'installation devra vérifier et s'assurer que tous ces éléments sont scrupuleusement respectés.
 - Les conditions de base pourraient ne pas être respectées si le produit est installé et utilisé contrairement aux règles stipulées dans ces documents. L'utilisation du produit est interdite dans ces situations tant que la personne chargée de l'installation n'aura pas vérifié si celle-ci est conforme à la directive. Le cas échéant, la mention « ES13241-1.4870 » devra être enlevée et la Déclaration CE de conformité faisant l'objet de l'Annexe I du manuel ne pourra être utilisée. L'installateur deviendra par conséquent le fabricant du produit et devra à ce titre respecter les conditions du Règlement 305/2011 et de la norme harmonisée correspondante EN 13241-1. Dans ce cas, le produit sera considéré comme étant une « quasi-machine » et la Déclaration de conformité de l'Annexe II pourra être utilisée (afin d'être intégrée au dossier technique).

- Directive « Basse tension » :
Recommandations particulières sur l'aptitude à l'emploi de ce produit en ce qui concerne la Directive « Basse tension ». Le produit respecte les normes imposées par la Directive Basse tension lorsqu'il est utilisé selon les configurations prévues dans le présent manuel et avec les articles composant le catalogue de Nice S.p.A.
Ces conditions pourraient ne pas être garanties si le produit est utilisé dans des configurations ou avec d'autres produits non prévus à cet effet. L'utilisation du produit dans ces situations est interdite tant que l'installateur n'a pas vérifié leur conformité à la Directive.
- Directive « Compatibilité électromagnétique » :
Recommandations particulières sur l'aptitude à l'emploi de ce produit en ce qui concerne la Directive « Compatibilité électromagnétique ». Le produit respecte les critères relatifs aux essais de compatibilité électromagnétique dans les conditions d'utilisation les plus critiques, dans des configurations prévues dans le présent manuel et avec les articles composant le catalogue de Nice S.p.A.
La compatibilité électromagnétique pourrait ne pas être garantie si le produit est utilisé dans des configurations ou avec d'autres produits non prévus à cet effet. L'utilisation du produit dans ces situations est interdite tant que l'installateur n'a pas vérifié si celles-ci sont conformes à la Directive.

Consignes d'installation et recommandations particulières sur les conditions requises

- En cas d'installation correcte, ce produit respecte les conditions stipulées dans le Règlement 305/2011 conformément aux prescriptions de la norme harmonisée EN 13241-1, comme l'indique le Tableau 1, et de la Directive européenne sur les « machines » 2006/42/CE.
- Émission de substances dangereuses :
Le produit ne contient ni n'émet de substances dangereuses, conformément à la norme EN 13241-1, par. 4.2.9 et selon la liste des substances reprise sur le site de la Communauté européenne.
Recommandations particulières pour garantir le respect des conditions : les autres produits utilisés lors de l'installation, comme les câbles électriques, doivent être conformes eux aussi.
- Ouverture sûre pour les portes à mouvement horizontal : le produit ne provoque pas de mouvements incontrôlés.
Recommandations particulières pour garantir le respect des conditions requises :
 - Effectuer l'installation en suivant scrupuleusement les indications des chapitres « 2 - Installation » et « 4 - Essai et mise en service ».
 - S'assurer qu'un plan d'entretien prévoyant l'exécution de toutes les opérations prévues dans le chapitre « Plan d'entretien » ait bien été établi.
- Les fermetures coulissantes sont protégées contre les risques d'écrasement et d'impact grâce à l'une des trois méthodes suivantes :
 - 1** - Pour le fonctionnement avec « commande sans retenue automatique » (dispositif homme mort) : conformément à la norme EN 12453, par. 5.1.1.4. Le cas échéant, le bouton de commande doit être positionné bien en vue de l'automatisme. S'il est accessible au public, la commande doit être protégée, par exemple à l'aide d'un sélecteur à clé.
 - 2** - Pour le fonctionnement « semi-automatique » : grâce à une barre palpeuse active pour la limitation des forces, conformément à la norme EN 12453, par. 5.1.1.5 et 5.1.3.
 - 3** - Pour le fonctionnement « automatique » : grâce à une barre palpeuse active pour la limitation des forces conformément au règlement EN 12453, par. 5.1.1.5 et 5.1.3. Ici, au moins deux photocellules doivent être installées conformément à la fig. 2.

KOVO POLOTOVARY.CZ

TUB4000

FRANÇAIS

Instructions traduites de l'italien

Sommaire

RECOMMANDATIONS GÉNÉRALES : SÉCURITÉ - INSTALLATION - UTILISATION 1

1 - DESCRIPTION DU PRODUIT ET APPLICATION.....3

2 - INSTALLATION.....3

2.1 - Contrôles à effectuer avant l'installation3

2.2 - Limites d'utilisation du produit.....3

2.3 - Installation standard.....4

2.4 - Fixation de l'opérateur4

2.5 - Installation des différents dispositifs à la logique de commande.....4

3 - RACCORDEMENTS ÉLECTRIQUES5

4 - ESSAI ET MISE EN SERVICE7

4.1 - Essai7

5 - CENTRALE DE COMMANDE INTÉGRÉE DPRO5008

5.1 - Description du produit et application.....8

6 - INSTALLATION.....8

6.1 - Contrôles à effectuer avant l'installation8

6.2 - Limites d'utilisation du produit.....8

6.3 - Installation de la logique de commande.....8

7 - RACCORDEMENTS ÉLECTRIQUES9

7.1 - Raccordement du câble d'alimentation triphasé9

7.2 - Raccordement du câble d'alimentation monophasé9

7.3 - Changement de l'alimentation par cavalier.....9

7.4 - Description des raccordements électriques : alimentation, dispositifs de sécurité, commande et accessoires9

7.5 - Raccordements électriques de la logique de commande.....10

7.6 - Entrée STOP SAFETY EDGE12

7.7 - Raccordement d'un récepteur radio12

7.8 - Premier allumage et vérification des raccordements.....12

7.9 - Effacement complet de la mémoire de la logique de commande12

7.10 - Reconnaissance des dispositifs raccordés et des positions d'ouverture et de fermeture12

7.10.1 - Reconnaissance des positions d'ouverture et de fermeture avec fin de course mécanique13

7.11 - Mode de fonctionnement.....13

7.12 - Unité de programmation Oview.....13

8 - ESSAI ET MISE EN SERVICE14

8.1 - Essai14

8.2 - Mise en service.....14

9 - INSTALLATION ET RACCORDEMENT ÉLECTRIQUE DES DEUX LOGIQUES DE COMMANDE POUR LE FONCTIONNEMENT AVEC VANTAUX COULISSANTS.....14

10 - APPROFONDISSEMENTS ET DIAGNOSTIC15

10.1 - Approfondissements.....15

10.1.1 - Signalisations à l'allumage15

10.1.2 - Autres fonctions15

10.2 - Diagnostic.....15

11 - QUE FAIRE SI.....17

12 - MISE AU REBUT.....17

13 - CARACTÉRISTIQUES TECHNIQUES DU PRODUIT.....17

DÉCLARATION CE DE CONFORMITÉ.....18

GUIDE DE L'UTILISATEUR (détachable)19

⚠ IMPORTANT !
Avant de lancer tout type d'opération ou de procédure, lire attentivement les recommandations générales (page 1) et les limites d'utilisation (paragraphe 2.2).

1 DESCRIPTION DU PRODUIT ET APPLICATION

TUB4000 est un opérateur pour grands portails coulissants industriels, avec logique de commande DPRO500 incorporée et préparée pour l'insertion des récepteurs NICE.

Il est alimenté par une source électrique mais il est possible, en cas de coupure de courant, d'effectuer le débrayage de l'opérateur à l'aide d'une clé spécifique et d'actionner manuellement le portail.

ATTENTION ! – Toute utilisation autre que celle décrite et dans des conditions ambiantes différentes de celles indiquées dans cette notice doit être considérée comme impropre et interdite !

2 INSTALLATION

⚠ L'installation de TUB4000 doit être effectuée uniquement par du personnel qualifié, dans le respect des lois, des normes et des règlements ainsi que de toutes les instructions fournies dans ce manuel.

2.1 - Contrôles à effectuer avant l'installation

Avant d'effectuer l'installation, il faut vérifier l'intégrité des composants du produit, l'adéquation du modèle choisi et son adaptation au lieu prévu pour son installation.

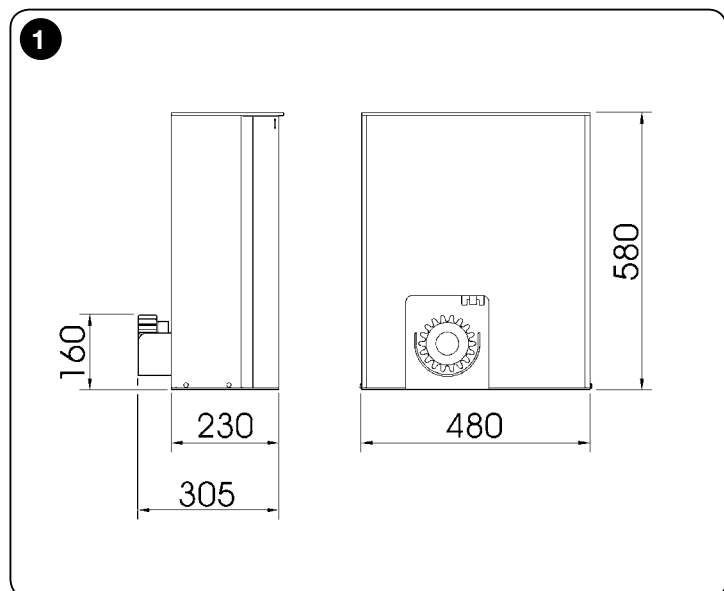
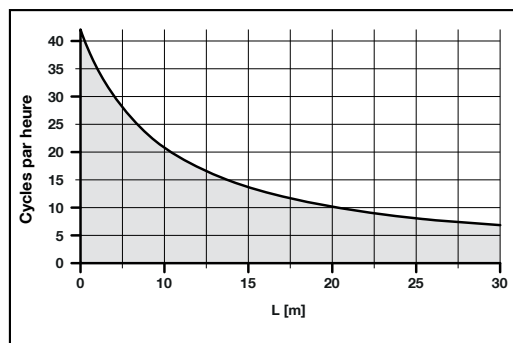
- Vérifier que tout le matériel à utiliser est en excellent état et adapté à l'usage.
- Vérifier que toutes les conditions d'utilisation rentrent dans les restrictions d'utilisation du produit (paragraphe 2.2) et respectent les limites prévues au paragraphe « Caractéristiques techniques du produit ».
- Vérifier que l'environnement choisi pour l'installation convient aux dimensions du produit (**fig. 1**).
- Vérifier que les surfaces choisies pour installer les divers dispositifs sont solides et peuvent garantir une fixation stable.
- Vérifier que la zone de fixation est à l'abri des inondations ; prévoir éventuellement le montage du produit à un endroit surélevé.
- Vérifier que l'espace entourant le produit autorise un accès facile et sûr.
- Vérifier que tous les câbles électriques correspondent aux indications figurant dans le Tableau 2.
- Vérifier que l'automatisme dispose des butées mécaniques à l'ouverture comme à la fermeture.

2.2 - Limites d'utilisation du produit

Les données relatives aux performances de TUB4000 sont indiquées dans le chapitre 13 « Caractéristiques techniques » et sont les seules valeurs qui permettent d'évaluer correctement l'adéquation du système. Généralement TUB4000 est en mesure d'automatiser des portails d'un poids jusqu'à 4000 kg ou d'une longueur jusqu'à 30 mètres selon les indications fournies dans le tableau 1.

Longueur du vantail en mètres	Cycles/heure max.
Jusqu'à 5	42
de 5 à 10	21
de 10 à 15	14
de 15 à 20	10
de 20 à 25	8
de 25 à 30	7

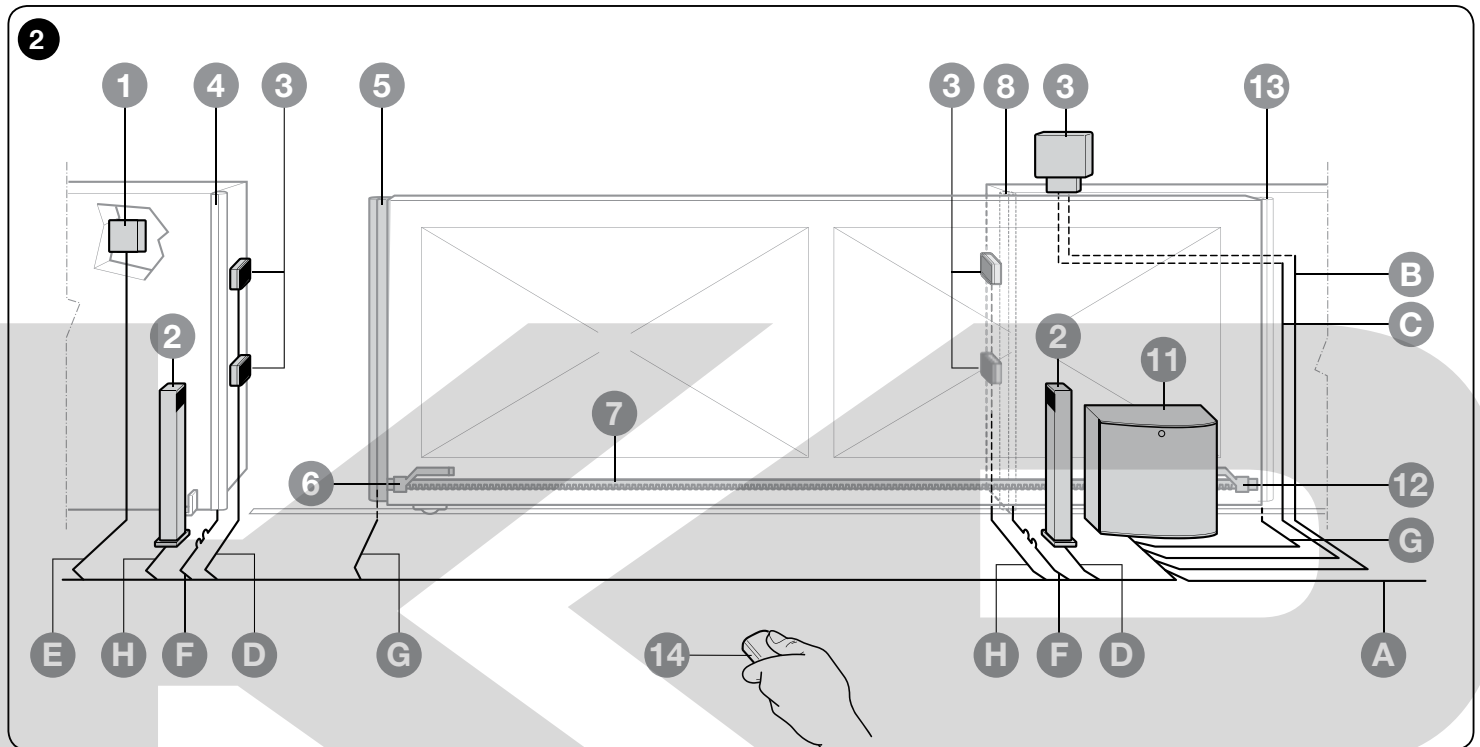
Représentation graphique des cycles/heure selon la longueur du vantail du portail.



2.3 - Installation standard

La **fig. 2** indique une installation typique de l'automatisme d'un portail de type coulissant en utilisant TUB4000.

- 1 Sélecteur à clé
- 2 Photocellules sur colonne
- 3 Photocellules PHOTO
- 4 Barre palpeuse primaire fixe (en option)
- 5 Barre palpeuse primaire mobile
- 6 Patte de fin de course « Ouvert »
- 7 Crémaillère
- 8 Barre palpeuse secondaire fixe (en option)
- 9 Clignotant
- 10 Antenne
- 11 Moteur
- 12 Patte de fin de course « Fermé »
- 13 Barre secondaire mobile (en option)
- 14 Émetteur radio



2.4 - Fixation du motoréducteur

S'il y a déjà une surface d'appui, il faudra fixer l'opérateur directement sur cette surface par l'intermédiaire de dispositifs de fixation adéquats tels que, par exemple, des chevilles à expansion.

Autrement, pour fixer l'opérateur :

01. Creuser des fondations aux dimensions appropriées.
02. Installer une ou plusieurs gaines pour le passage des câbles électriques comme illustré dans la **fig. 5**.
03. Assembler les 4 pattes de fixation sur la plaque de fondation en plaçant un écrou au-dessous et un écrou au-dessus de la plaque comme indiqué dans la **fig. 3**, de façon à ce que la partie filetée dépasse de la plaque le plus possible.
04. Effectuer la coulée de béton et, avant que le béton commence à prendre, placer la plaque de fondation. S'assurer qu'elle est bien parallèle au vantail et parfaitement à niveau, comme indiqué dans la **fig. 5**. Attendre la prise totale du béton.
05. Retirer la coque de l'opérateur en effectuant l'opération inverse de celle figurant sur la **fig. 7**.
06. Placer l'opérateur sur la plaque de fondation et le placer parfaitement parallèle au vantail puis bien le fixer avec 4 écrous, 4 pattes et les rondelles respectives fournies, comme indiqué dans la **fig. 6**.
07. Débrayer le pignon en suivant les indications du paragraphe « Débrayage et manoeuvre manuelle » dans le chapitre « Instructions et recommandations destinées à l'utilisateur de l'opérateur TUB4000 ».
08. Ouvrir complètement le vantail, placer la première partie de la crémaillère sur le pignon et s'assurer que le début de la crémaillère coïncide bien avec le début du vantail. S'assurer qu'il y a un jeu de 2-3 mm entre le pignon et la crémaillère, fixer ensuite au moyen de dispositifs adéquats la crémaillère au vantail.
09. Faire coulisser le vantail en utilisant toujours le pignon comme point de repère pour fixer les autres éléments de la crémaillère.
10. Couper l'excédent de crémaillère sur sa dernière partie.
11. Essayer de déplacer le vantail plusieurs fois en ouverture et en fermeture, en s'assurant que la crémaillère coulisse bien alignée sur le pignon avec un désalignement de 10 - 15 mm maxi. S'assurer en outre de la présence d'un jeu de 2 à -3 mm entre le pignon et la crémaillère sur toute la longueur.
12. Fixer à l'aide des goujons correspondants, les pattes de fin de course d'« Ouverture » et de « Fermeture » sur les extrémités de la crémaillère comme indiqué dans la **fig. 4**. Il faut considérer que, lorsque les fins de

course interviennent, le vantail se déplacera sur 2-3 cm. Il est conseillé de placer les pattes de fin de course avec des marges appropriées sur les butées mécaniques.

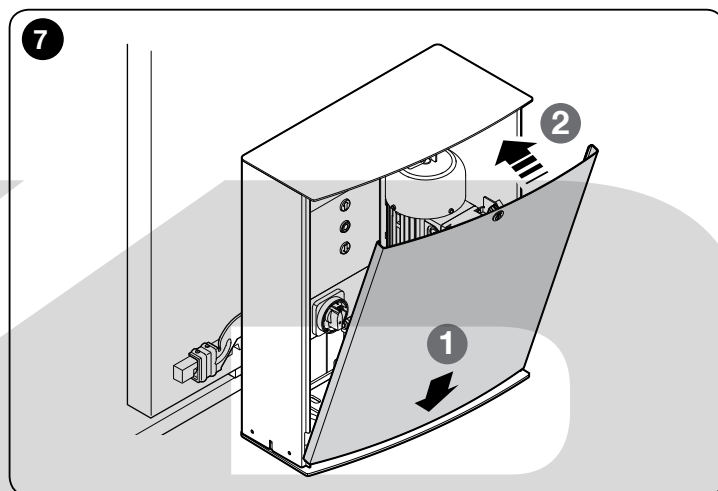
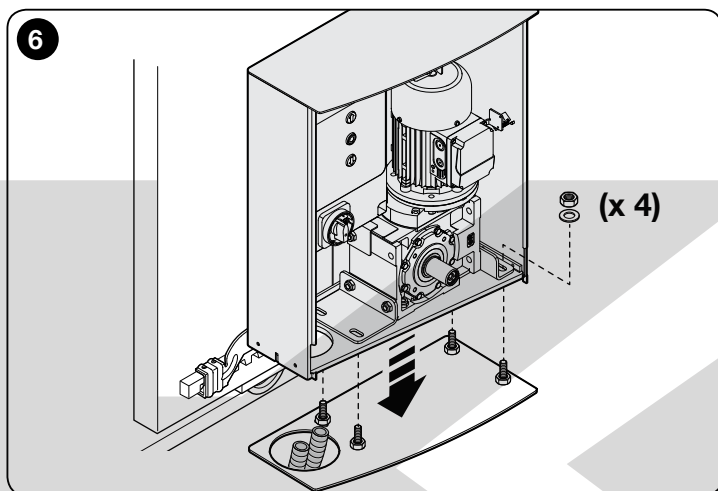
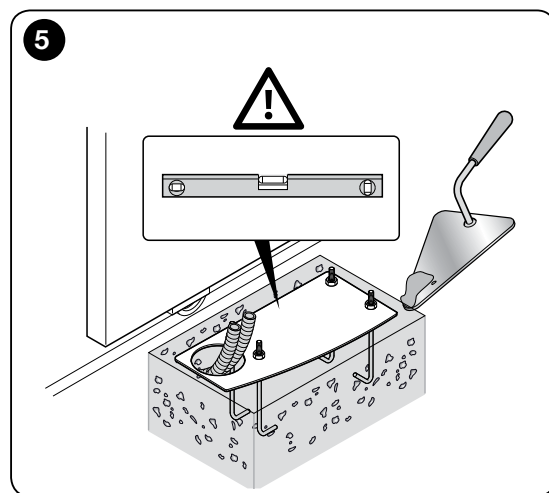
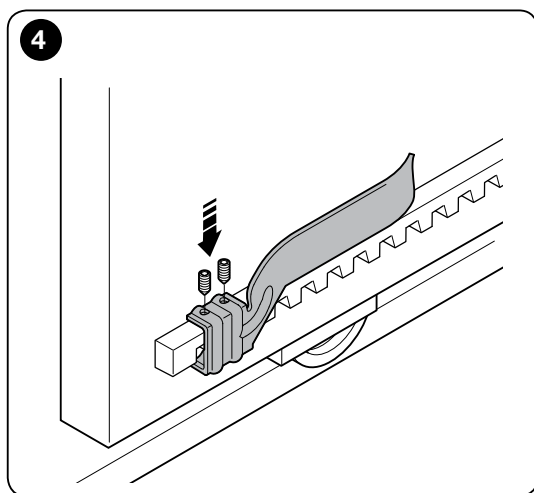
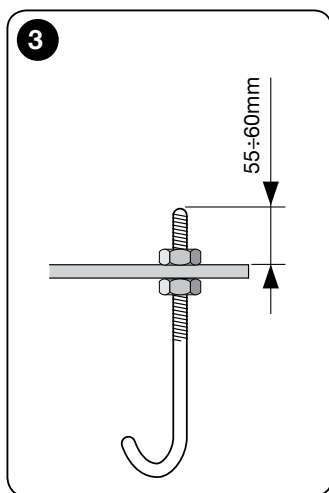
13. Effectuer l'opération inverse de celle effectuée au point 07 et bloquer le pignon.
14. Fixer la coque au TUB4000 comme indiqué dans la **fig. 7** et vérifier que le levier du fin de course placé au-dessus du pignon se déplace librement.
15. Fermer la porte de l'opérateur et s'assurer que le micro-interrupteur de sécurité, placé à la droite du moteur électrique, est actionné.

▲ Pour éviter que le poids du vantail pèse sur l'opérateur, il faut un jeu de 2 - 3 mm entre le pignon et la crémaillère.

2.5 - Installation des divers dispositifs sur la logique de commande

Installer tous les dispositifs prévus en suivant les instructions respectives. Vérifier, dans le chapitre 7 (DPRO500), que les dispositifs peuvent être connectés à TUB4000.

ATTENTION ! – Toutes les connexions électriques doivent être effectuées en l'absence de courant dans l'installation et par un personnel qualifié et expérimenté, en possession des conditions requises et en respectant pleinement les lois, les normes et les règlements.



3 RACCORDEMENTS ÉLECTRIQUES

Dans l'installation typique de la **fig. 3**, deux câbles nécessaires sont indiqués pour les connexions des différents dispositifs. Les caractéristiques des câbles sont indiquées dans le tableau 2.

Les câbles utilisés doivent être adaptés à l'installation. Par exemple, il est conseillé d'utiliser un câble de type H05VV-F s'il est posé à l'intérieur ou H07RN-F s'il est posé à l'extérieur.

TABLEAU 2 - Caractéristiques techniques des câbles électriques (fig. 2)

Connexion	Type de câble	Longueur maximale autorisée
A : Ligne électrique d'alimentation	1 câble 4 x 1,5 mm ²	30 m (note 1)
B : Clignotant	1 câble 2 x 1mm ²	20 m (note 7)
C : Antenne	1 câble blindé type RG58	(recommandé à moins de 5 mètres)
D : Photocellules émetteur	1 câble 2 x 0,25 mm ²	30 m (note 3)
E : Sélecteur à clé	2 câbles 2 x 0,25 mm ²	50 m (note 2)
F : Barres palpeuses fixes	1 câble 2 x 0,5 mm ²	30 m (note 4 - 6)
G : Barres palpeuses mobiles	1 câble 2 x 0,5 mm ²	30 m (note 4 - 5 - 6)
H : Photocellules récepteur	2 câbles 2 x 0,25 mm ²	30 m (note 2 - 3)

Remarque 1 – Si le câble d'alimentation dépasse les 30 mètres, il faut prévoir un câble d'une section supérieure, par exemple 4 x 2,5 mm². Une mise à la terre à proximité de l'automatisme est nécessaire.

Remarque 2 – Il est possible de remplacer les deux câbles 2 x 0,25 mm² par un seul câble 4 x 0,25 mm².

Remarque 3 – Utiliser des câbles blindés si la longueur est supérieure à 30 mètres, et relier la tresse à la terre uniquement du côté de la logique de commande.

Remarque 4 – Dans des applications particulières, l'utilisation de barres palpeuses peut être nécessaire. En présence de plusieurs barres palpeuses, voir le manuel d'instructions pour le type de connexion conseillé.

Remarque 5 – Pour la connexion des barres palpeuses sur les vantaux coulissants, il faut utiliser des dispositifs spéciaux qui permettent la connexion même quand le vantail est en mouvement.

Remarque 6 – Le nombre de câbles nécessaires pour la connexion des barres palpeuses mobiles ou fixes dépend de la technique utilisée pour garantir la catégorie de sécurité exigée. L'exemple fait référence aux barres palpeuses TCB65 connectées aux interfaces TCE.

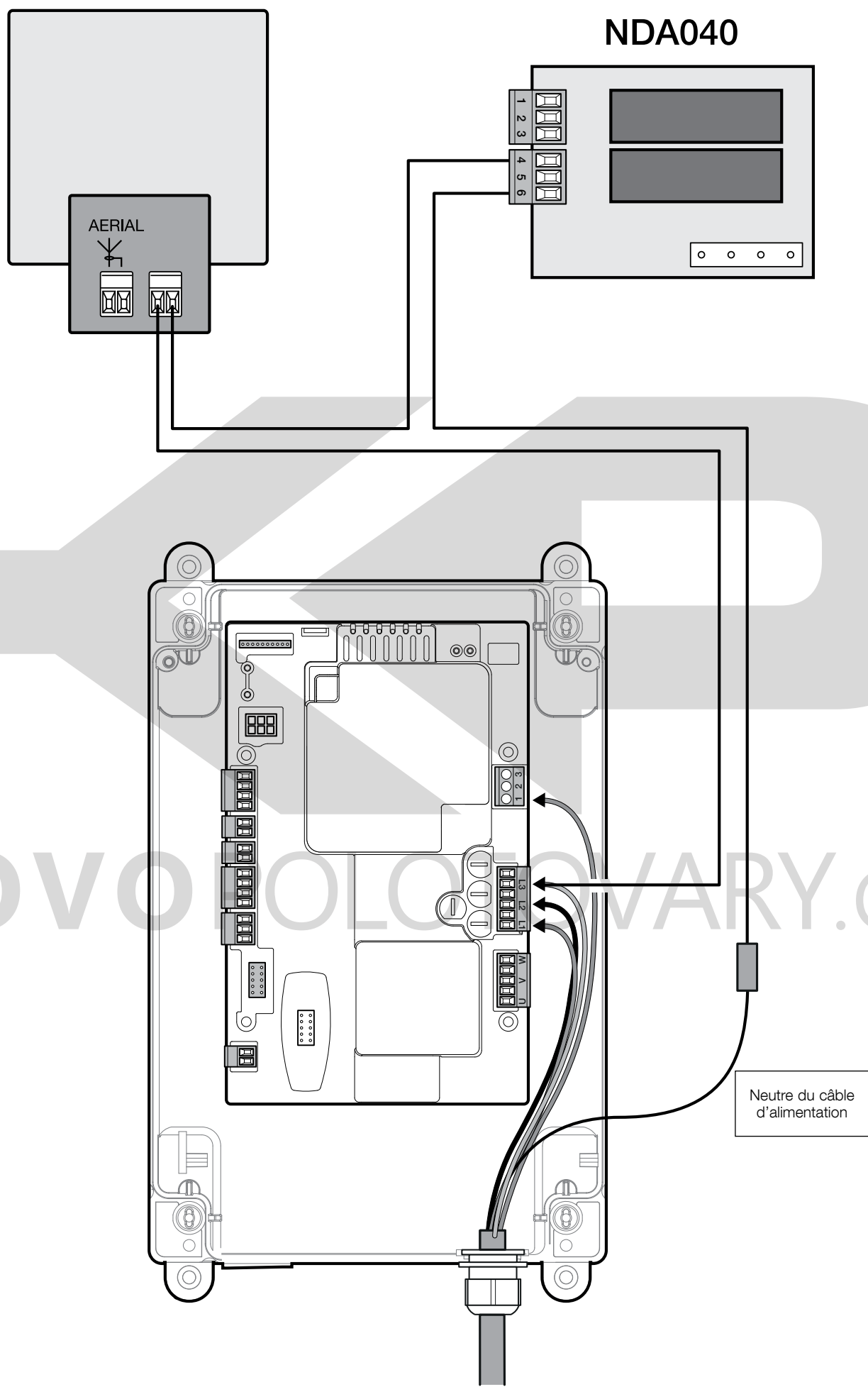
Remarque 7 – Il est possible de connecter un clignotant à 230Vca. Pour la connexion, voir la fig. A.

ATTENTION ! – Les câbles utilisés doivent être adaptés au type d'environnement où est effectuée l'installation.

Après avoir effectué les branchements électriques, voir le chapitre 7 (DPRO500) où sont expliquées les procédures pour la première mise en route, la reconnaissance des dispositifs de sécurité et des fins de course.

A

FR



NDA040

AERIAL

Neutre du câble d'alimentation

4 ESSAI ET MISE EN SERVICE

Les phases d'essai et de mise en service sont les plus importantes pendant la mise en place de l'automatisme, car elles permettent d'en garantir la sécurité. La procédure d'essai peut être également utilisée pour vérifier périodiquement les dispositifs qui composent l'automatisme.

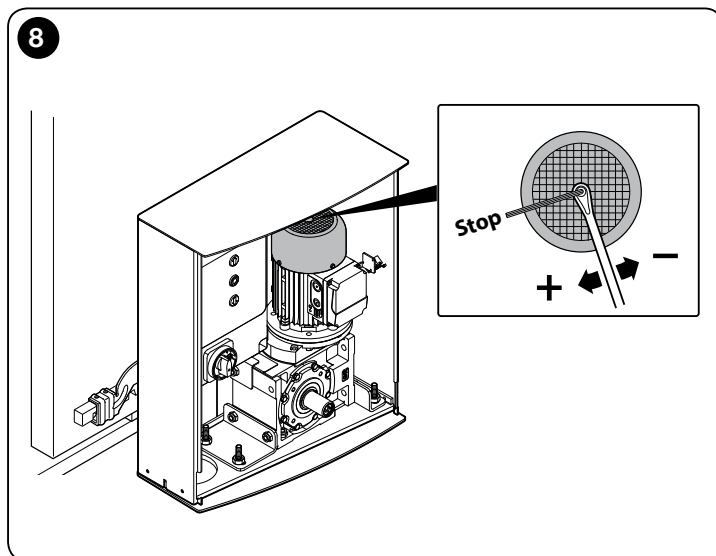
Ces phases doivent être effectuées par du personnel qualifié et expérimenté qui devra se charger d'établir les essais nécessaires pour vérifier les solutions adoptées en fonction du risque présent et s'assurer du respect de tout ce qui est prévu par les lois, les normes et les réglementations et notamment de toutes les prescriptions de la norme EN 12445 qui établit les méthodes d'essai pour le contrôle des automatismes de portes et barrières. Les dispositifs supplémentaires doivent faire l'objet d'essais spécifiques en termes de fonctionnalités, mais aussi au niveau de leur interaction avec la logique de commande. Pour cela, consulter le manuel des dispositifs en question.

4.1 - Essai

La séquence des opérations à effectuer concerne une installation standard (fig. 2) :

- 1 Vérifier si les éléments prévus dans le chapitre « Recommandations pour l'installation » ont été respectés.
- 2 A l'aide des dispositifs de commande (émetteur, bouton de commande, sélecteur à clé, etc.), réaliser des essais d'ouverture, de fermeture et d'arrêt du portail en veillant à ce que le mouvement des portes corresponde bien à ce qui est prévu. Il convient d'effectuer différentes manœuvres pour contrôler la fluidité du mouvement et détecter les éventuels défauts de montage et de réglage ainsi que la présence de points de frottement.
- 3 Vérifier un par un le fonctionnement correct de tous les dispositifs de sécurité présents dans l'installation (photocellules, barres palpeuses, etc.).
- 4 Si les risques liés au mouvement des portes n'ont pas été résorbés par la limitation de la force d'impact, il faut effectuer la mesure de la force suivant les prescriptions de la norme EN 12445.
- 5 Vérifier que la distance d'arrêt du vantail est de 2 à 3 cm, dans le cas contraire régler le frein mécanique comme suit (fig. 8) :
 - a. Faire tourner dans le sens des aiguilles d'une montre sur un demi-tour environ l'écrou trouvé dans l'arbre moteur.
 - b. Si un demi-tour n'est pas encore suffisant, visser encore un peu l'écrou.
 - c. Veiller à ne pas trop serrer l'écrou car il pourrait bloquer complètement le moteur électrique.

⚠ Avant de régler le frein mécanique, il est essentiel d'éteindre l'alimentation électrique en plaçant sur « OFF », l'interrupteur principal présent sur la logique de commande.



5 CENTRALE DE COMMANDE INTÉGRÉE DPRO500



⚠ IMPORTANT !

Avant de lancer tout type d'opération ou de procédure, lire attentivement les recommandations générales (page 1) et les limites d'utilisation (paragraphe 6.2).

5.1 - Description du produit et application

La logique de commande **DPRO500** est destinée à la commande des actionneurs électromécaniques pour l'automatisation de portails, portes sectionnelles ou volets.

ATTENTION ! – Toute utilisation autre que celle décrite et dans des conditions ambiantes différentes de celles indiquées dans cette notice doit être considérée comme impropre et interdite !

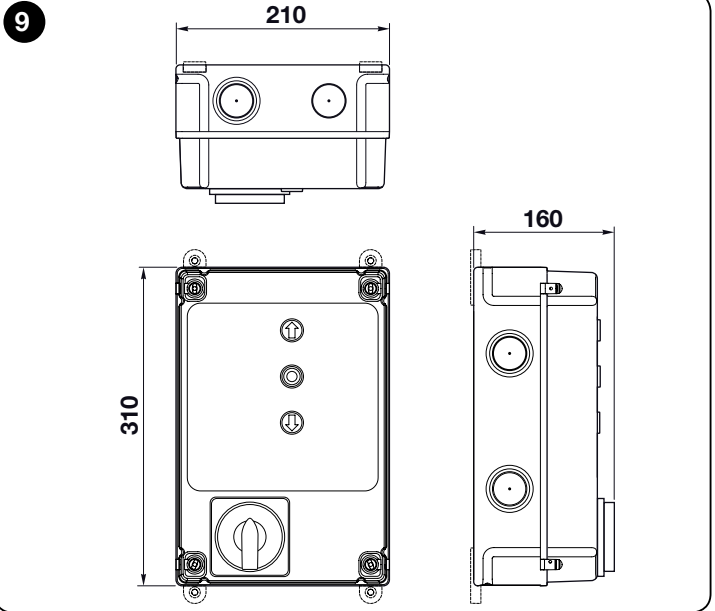
La logique de commande peut être raccordée à tous les dispositifs de sécurité standard. Pour l'ouverture et la fermeture d'un portail, appuyer sur le bouton prévu à cet effet sur le couvercle, le bouton extérieur ou le récepteur radio.

6 INSTALLATION

6.1 - Contrôles à effectuer avant l'installation

Avant d'effectuer l'installation, il faut vérifier l'intégrité des composants du produit, l'adéquation du modèle choisi et son adaptation au lieu prévu pour son installation.

- Vérifier que tout le matériel à utiliser est en excellent état et adapté à l'usage.
- Vérifier que toutes les conditions d'utilisation rentrent dans les restrictions d'utilisation du produit (paragraphe 6.2) et respectent les limites prévues au paragraphe « Caractéristiques techniques du produit ».
- Vérifier que l'environnement choisi pour l'installation convient aux dimensions du produit (**fig. 9**).
- Vérifier que les surfaces choisies pour installer les divers dispositifs sont solides et peuvent garantir une fixation stable.
- Vérifier que la zone de fixation est à l'abri des inondations ; prévoir éventuellement le montage du produit à un endroit surélevé.
- Vérifier que l'espace entourant le produit autorise un accès facile et sûr.
- Vérifier que tous les câbles électriques correspondent aux indications figurant dans le Tableau 1.
- Vérifier que l'automatisme dispose des butées mécaniques à l'ouverture comme à la fermeture.



6.2 - Limites d'utilisation du produit

Le produit peut être utilisé exclusivement conformément aux indications figurant dans le tableau ci-dessous :

Alimentation de la logique de commande	Type de moteur*
Triphasé 3x400 VCA - 50/60Hz	Triphasé 3x400 VCA – 50/60Hz avec encodeur Nice ou fins de courses mécaniques
Monophasé 1x230 VCA - 50/60Hz	Monophasé 1x230 VCA – 50/60Hz avec encodeur Nice ou fins de course mécaniques

(*) Dans le respect des restrictions d'utilisation.

Pour les moteurs monophasés, voir le paragraphe 7.2

⚠ ATTENTION ! – La logique de commande décrite dans le présent manuel d'instruction ne peut pas être utilisée dans des zones présentant un risque d'explosion.

Important – Avant de procéder à l'installation, préparer les câbles électriques nécessaires à votre installation, en se reportant à la « **Tableau 1** - Caractéristiques techniques des câbles électrique ».

⚠ Attention ! – Pendant la pose des tubes prévus pour le passage des câbles électriques et l'entrée des câbles dans le conteneur de la logique de commande, tenir compte du fait que, en raison des dépôts d'eau dans les jonctions, les tubes de raccordement peuvent favoriser la condensation dans la logique de commande. Cette condensation risque d'endommager les circuits électroniques.

6.3 - Installation de la logique de commande

Pour fixer la logique de commande, procéder comme suit :

- 01. Ouvrir le boîtier de la logique de commande :** dévisser les vis conformément à la **fig. 10-A / fig. 10-B** ;
- 02. Percer les trous pour le passage des câbles électriques des accessoires de commande et/ou de signalisation.** À cette fin et pour garantir le maintien du niveau de protection IP, il est conseillé d'utiliser un outil adapté (par exemple scie-cloche) et intervenir sur les espaces prévus dans la

TABLEAU 1 - Caractéristiques techniques des câbles électriques

Connexion	Type de câble	Longueur maximale autorisée
Câble ALIMENTATION LOGIQUE DE COMMANDE - triphasé - monophasé	4 x 1 mm ²	5 mètres (note 1)
	3 x 0,75 mm ²	2 mètres (note 1)
Câble MOTEUR	pour les opérateurs Nice, câbles vendus séparément. pour les autres marques, s'adresser au fabricant de l'opérateur.	5 - 7 - 11 mètres
Câble de CLIGNOTANT avec antenne	2 x 1 mm ² (pour clignotant 230Vac) câble blindé RG58 (pour antenne)	10 m
Câble de PHOTOCELLULE	4 x 0,5 mm ²	10 m
Câble SÉLECTEUR À CLÉ	2 câbles 2 x 0,25 mm ²	10 m (note 2)
Câble SPIRALE pour barre palpeuse	câble à spirale Nice vendu séparément	50 m

Remarque 1 – Si le câble d'alimentation dépasse les longueurs maximum permises, il faut utiliser un câble à la plus grande section.

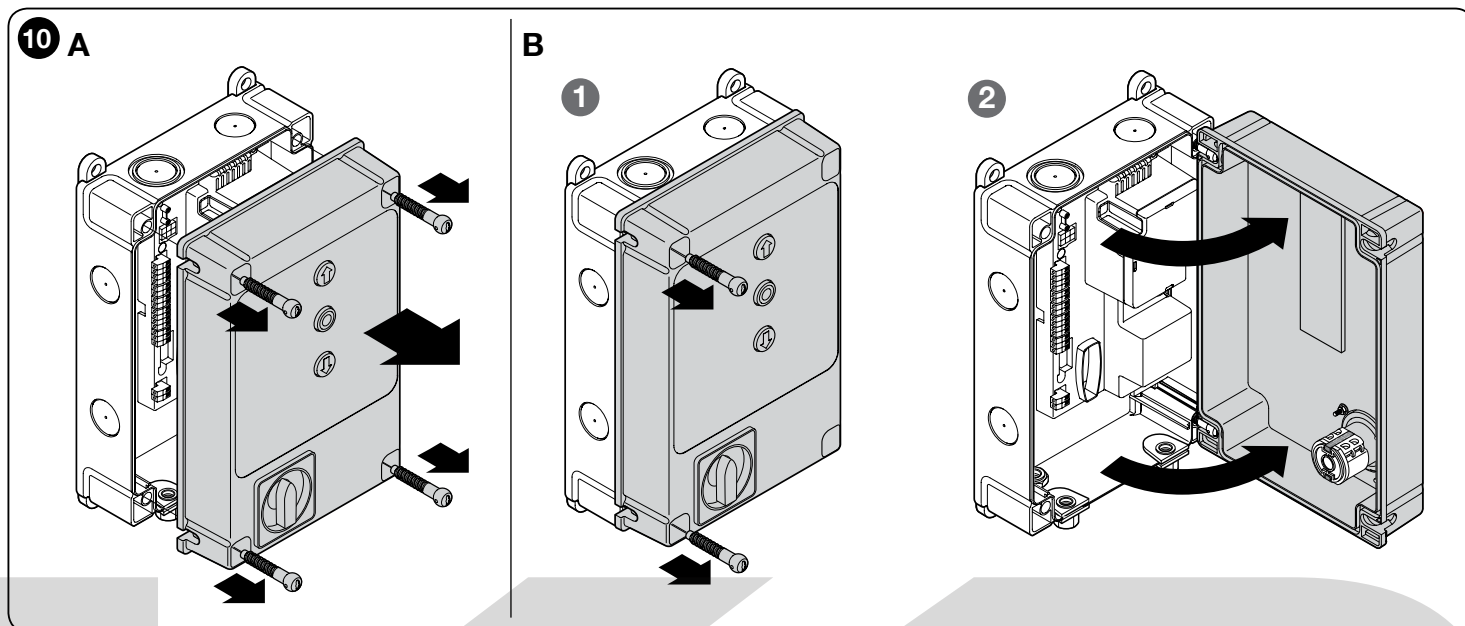
Remarque 2 – Ces 2 câbles peuvent être remplacés par 1 câble unique de 4 x 0,5 mm²

ATTENTION ! – Les câbles utilisés doivent être adaptés au type d'environnement où est effectuée l'installation.

partie inférieure du boîtier. Si nécessaire, utiliser les entrées latérales, mais uniquement avec des raccords adaptés pour les tuyaux.

03. À ce stade, il est possible d'effectuer les raccordements électriques : se référer au chapitre 7.

Pour installer les autres dispositifs présents sur l'automatisme, se référer aux manuels correspondants.



7 RACCORDEMENTS ÉLECTRIQUES

ATTENTION !

– Toutes les connexions électriques doivent être effectuées sans courant.

– Les raccordements doivent être effectués par le personnel qualifié.

– Sur la ligne électrique, il faut prévoir un dispositif assurant la mise hors tension de l'automatisme. Le dispositif doit avoir une distance d'ouverture entre les contacts permettant une déconnexion complète dans les conditions prévues par la catégorie de surtension III, conformément aux règles d'installation. Si besoin est, ce dispositif garantit une déconnexion sûre et rapide de l'alimentation ; il doit donc être placé si possible dans une position visible depuis l'automatisme. S'il se trouve à distance, dans une position non visible, il faut prévoir un système empêchant l'éventuelle reconnexion accidentelle ou non autorisée de l'alimentation, pour conjurer tout danger. Le dispositif de connexion n'est pas fourni avec le produit.

– Sélection de la tension d'alimentation :

La logique de commande peut fonctionner correctement en alimentation triphasée ou monophasée (voir schémas de câblage) avec des tensions de 400V ou 230V.

Le réglage par défaut est pour une tension d'alimentation triphasée de 400V. Pour sélectionner l'alimentation monophasée 230V, procéder conformément aux instructions du chapitre 7.2.

7.1 - Raccordement du câble d'alimentation triphasé

Pour effectuer le raccordement électrique, se référer à la fig. 11. Les bornes L1, L2, L3 et PE sont reliées à une fiche CEE de 16A.

7.2 - Raccordement du câble d'alimentation monophasé

Pour effectuer le raccordement électrique, se référer à la fig. 12. Les bornes L1, L3 et PE sont reliées à une fiche Schuko.

7.3 - Changement de l'alimentation par cavalier

L'alimentation de la logique de commande peut également être changée à l'aide de cavaliers comme suit (fig. 13).

01. Retirer le couvercle supérieur

02. Extraire le cavalier (position par défaut 3x400V) à l'aide d'une pince.

03. Insérer le cavalier (1x230V).

04. Réinsérer le couvercle supérieur.

7.4 - Description des raccordements électriques (fig. 14) : alimentation, dispositifs de sécurité, de commande et accessoires

Il est possible de brancher des dispositifs de commande avec contacts de type « Normalement Ouvert » (NO) ou « Normalement Fermé » (NF) sur les entrées 8, 9, 10, 11. Ces entrées ou leur combinaison sont donc exploitables, ainsi que les entrées STOP/ALT, afin de brancher par exemple un clavier externe ou un interrupteur dont le câble est relié au plafond.

PUSH BUTTONS - entrée pour le raccordement du clavier à boutons se trouvant sur le couvercle du boîtier.

ENCODER - entrée pour le raccordement du câblage du fin de course électronique (encodeur Nice). Non utilisable dans cette version.

COMMON (8) - entrée à 24 Vcc qui sert de commun pour les entrées OPEN, CLOSE et ING1 et positif pour la tension aux services.

OPEN (9) - entrée pour les dispositifs qui commandent le mouvement d'ouverture uniquement ; on peut y connecter des contacts de type « Normalement Ouvert ».

CLOSE (10) - entrée pour les dispositifs qui commandent le mouvement de fermeture uniquement ; on peut y connecter des contacts du type « Normalement Ouvert ».

ING1-photo- (11) - entrée Normalement Fermé (NF) pour les dispositifs qui commandent le mouvement de l'automatisme. Si cette entrée est programmée à l'aide du programmeur Nice Oview, on obtient les modes de fonctionnement suivants :

- Pas-à-Pas
- Ouverture partielle
- Ouverture
- Fermeture
- Photo (par défaut)
- Photo 1
- Alt en ouverture
- Alt en fermeture

Pour toutes instructions sur la méthode de programmation et la description des fonctions disponibles, consulter les fiches des fonctions Oview pour DPRO500.

ALT - entrée pour les dispositifs interrompant la manœuvre en cours ; brancher les contacts de type « Normalement Fermé ».

SAFE - entrée pour le branchement du dispositif de protection thermique du moteur. **ATTENTION !** - Utilisé uniquement pour les moteurs avec fins de course mécaniques. Laisser l'option « non connectée » pour les moteurs avec fin de course électronique.

LIMIT SWITCH - entrée pour le branchement des fins de course mécaniques.

- (1) Commun fin de course
- (2) fin de course ouverture
- (3) pré-fin de course fermeture
- (4) fin de course fermeture

STOP - entrée pour la connexion des barres palpeuses à variation de résistance (8k2) ou optiques (OSE), comme décrit ci-après (fig. 15) :

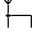
Connexion OSE :

- 5 → positif 12Vdc (+) (fils marron)
- 6 → signal (S) (fils verts)
- 7 → négatif GND (-) (fils blancs)

Connexion 8k2 :

- Raccorder la résistance de 8,2 kΩ entre les bornes 6 (signal - S) et 7 (négatif - GND)

IBT4N - entrée pour le branchement du programmeur Oview, avec l'adaptateur correspondant IBT4N. ATTENTION - couper l'alimentation électrique avant de connecter/déconnecter le programmeur.

ANTENNE  - entrée pour branchement de l'antenne du récepteur radio (remarque : l'antenne est intégrée aux clignotants Nice LUCY B, MBL, MLBT).

OUT (CONNECTEUR POUR NDA040) - connecteur pour carte accessoire NDA040 qui ajoute deux sorties à contacts sans potentiel. Ces sorties peuvent être programmées à l'aide du programmeur Nice Oview. Pour toutes instructions sur la programmation et la description des fonctions disponibles, consulter la notice d'instructions de la carte accessoire NDA040.

MOTOR - sortie pour le raccordement du moteur triphasé et monophasé.

Pour moteurs monophasés :

U - commun


V - ouverture

W - fermeture

LINE - entrée pour le raccordement électrique.

L1-L2-L3 : raccordement TRIPHASÉ

L1-L3 : raccordement MONOPHASÉ

 **PE** - entrée pour le raccordement de la terre pour les logiques de commande et les moteurs.

IMPORTANT !

Il est DÉCONSEILLÉ de procéder au raccordement de tout type de dispositif ou accessoire ne figurant pas dans ce manuel.

Le fabricant décline toute responsabilité pour les dommages causés par une utilisation inadéquate des dispositifs du système de manière non conforme aux indications du présent manuel. Pour plus d'informations, consulter le service technique de Nice.

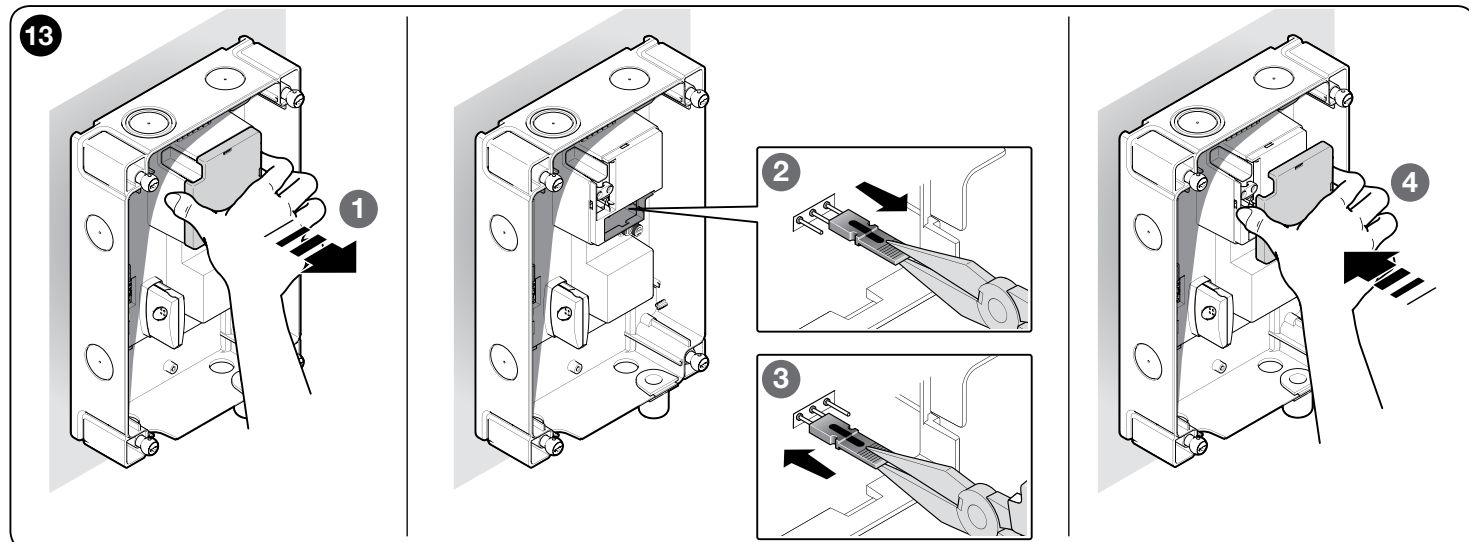
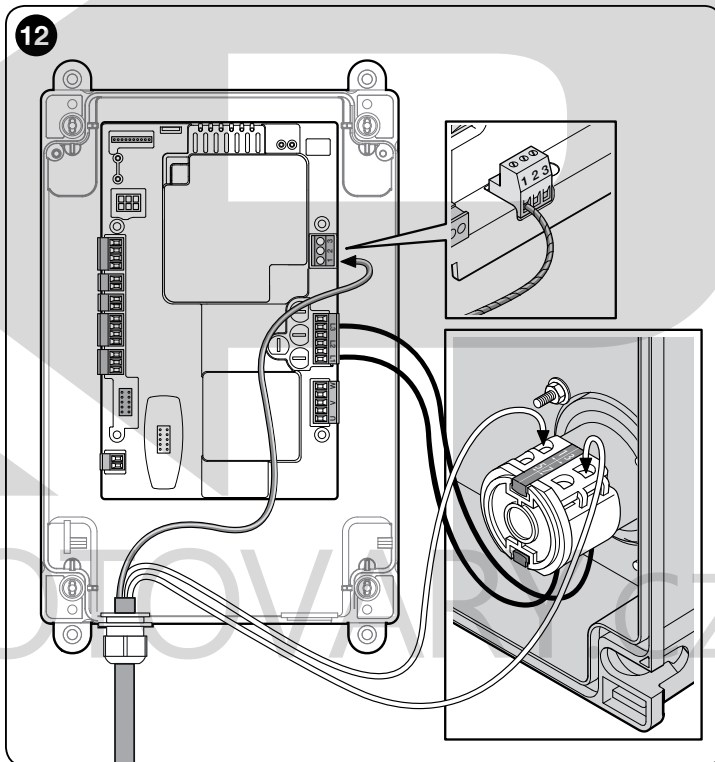
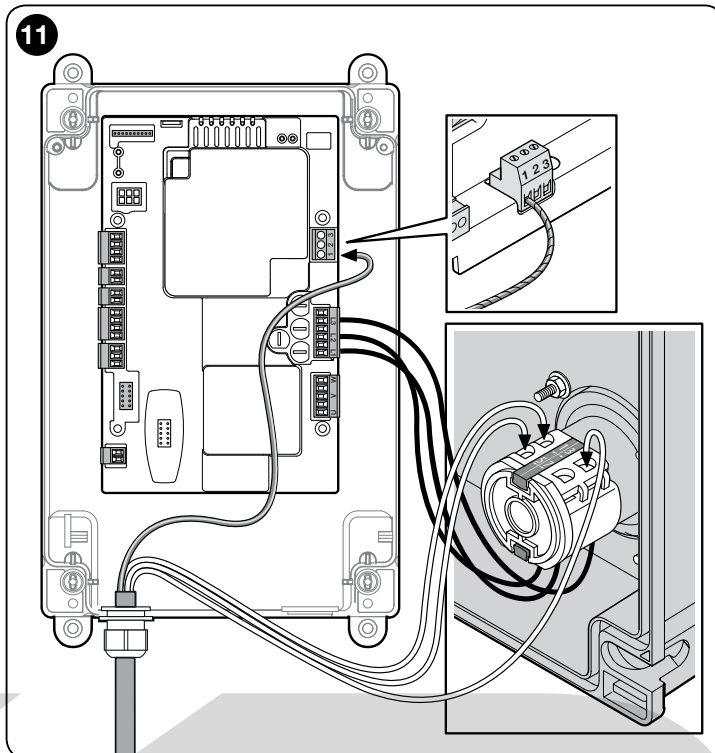
7.5 - Raccordements électriques de la logique de commande



ATTENTION ! - Toutes les connexions électriques doivent être effectuées sans courant.

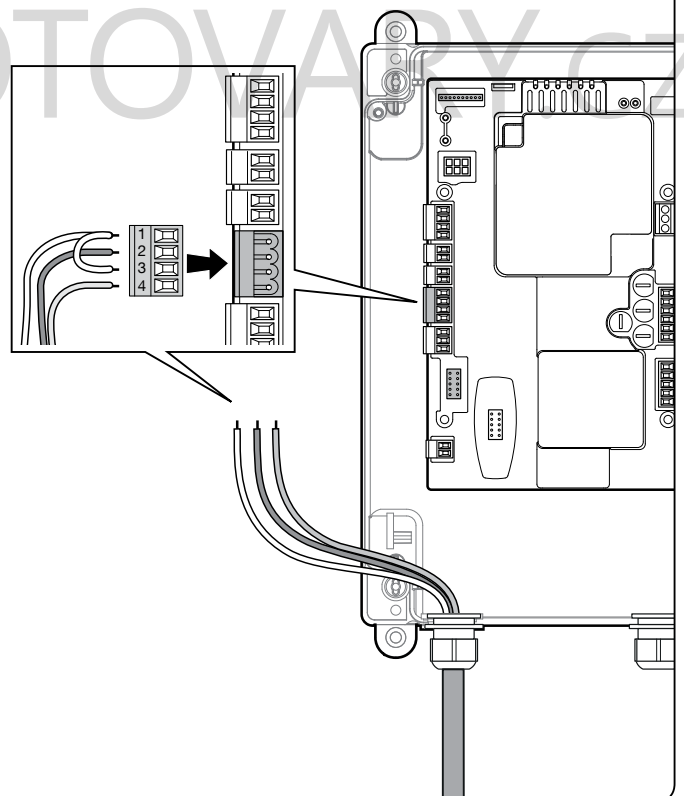
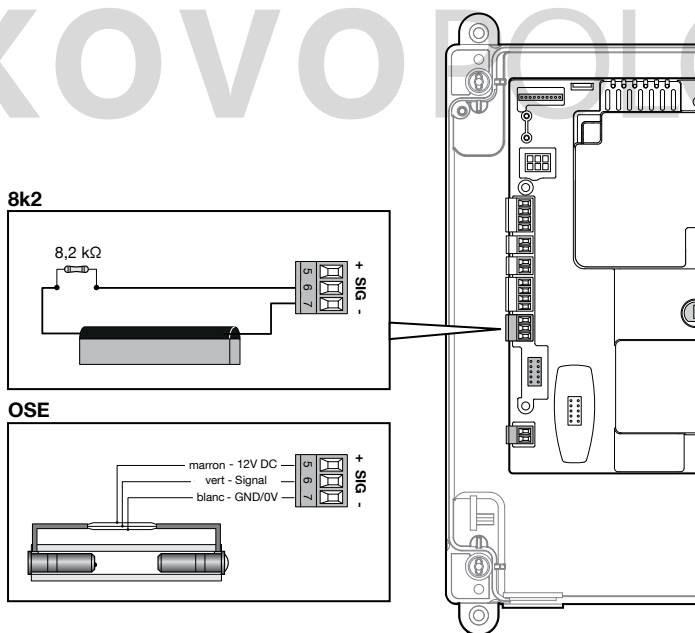
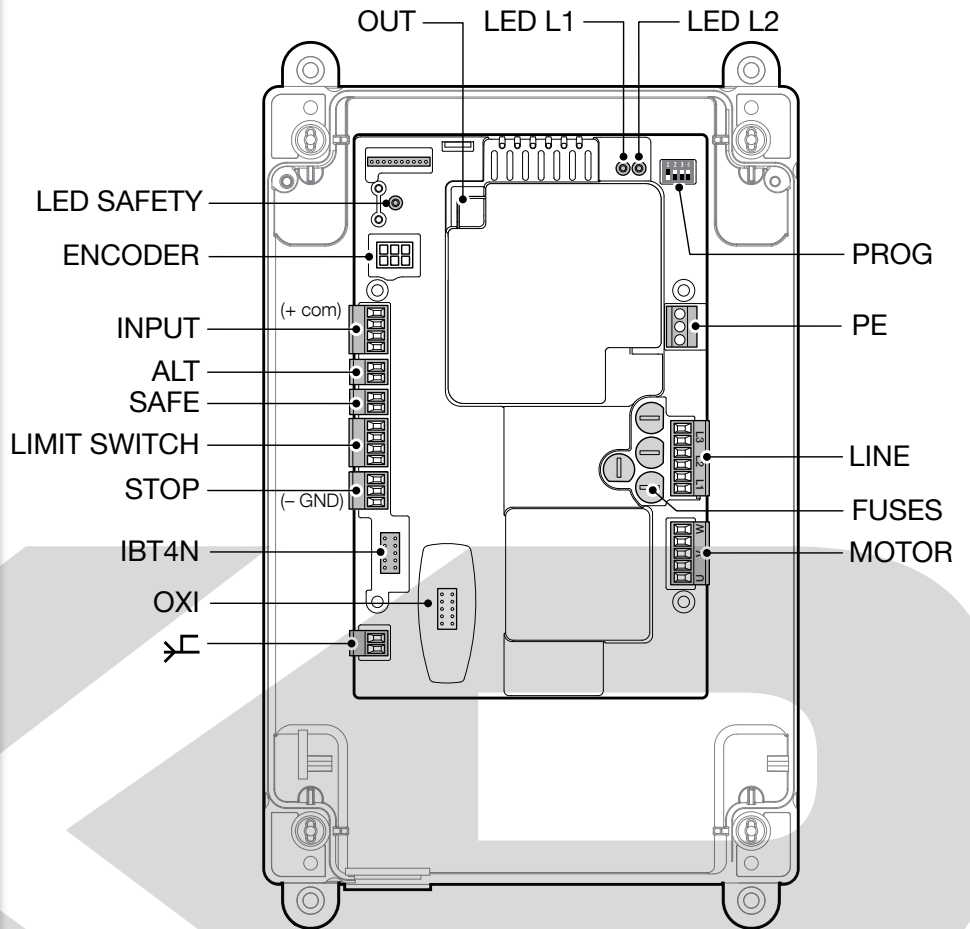
Après avoir fixé le boîtier de la logique de commande et percé les trous pour le passage des câbles électriques (voir paragraphe 6.3), effectuer les raccordements électriques comme suit :

- 01.** Raccorder le cordon d'alimentation électrique :
 - pour la ligne **triphasée** voir le paragraphe 7.1 et **fig. 11**
 - pour la ligne **monophasée**, voir le paragraphe 7.2 et **fig. 12**
- 02.** Raccorder ensuite le câble électrique provenant du moteur :
 - Moteur triphasé avec fin de course mécanique (**fig. 16**)
- 03.** Raccorder enfin les câbles électriques des divers accessoires sur la base de la **fig. 13** et du paragraphe 7.3.

Remarque - Pour faciliter les raccordements, extraire les bornes de leurs logements.



LED SAFETY	= LED chaîne de sécurité
LED L2	= LED OK (verte)
LED L1	= LED Warning (rouge)
OUT	= slot pour insertion de la carte accessoire NDA040 expansion sorties
PROG	= Micro-interrupteur pour pro- grammation
ENCODER	= fin de course électronique
INPUT	= entrées extérieures (Com- mun, ouverture, Fermeture, Ing1(PHOTO) 8 - com (+24Vcc commun) 9 - open (ouvrir) 10 - close (Fermer) 11 - photo (ent1)
ALT	= borne ALT
SAFE	= uniquement pour les moteurs avec fins de course méca- niques (laisser non connecté dans les moteurs avec fin de course électronique)
LIMIT SWITCH	= fin de course mécanique
STOP	= borne STOP utilisée pour barre palpeuse de sécurité 8K2 ou OSE 5 - positif (+) barre palpeuse 6 - signal barre palpeuse 7 - négatif GND (-)
IBT4N	= connecteur pour interface IBT4N (vendu séparément)
OXI	= connecteur pour le raccorde- ment des récepteurs radio avec branchement SM (SMX/OXI)
	= antenne
	= raccordement à la terre
LINE	= connecteur de raccordement de la ligne d'alimentation triphasée ou monophasée
FUSES	= F1, F2,F3,F4 : voir les Caracté- ristiques Techniques
MOTOR	= moteur



7.6 - Entrée STOP SAFETY EDGE

La fonction de l'entrée SAFETY EDGE consiste à provoquer l'arrêt immédiat de la manœuvre en cours, suivi d'une manœuvre de brève inversion.

D'autres dispositifs peuvent être raccordés à cette entrée, comme des barres palpées optiques (OSE) ou une sortie à résistance constante de 8.2 kΩ.

Pendant la phase de reconnaissance, la logique de commande détecte le type de dispositif connecté et provoque un arrêt en cas de modification par rapport à l'état mémorisé.

En adoptant certaines solutions, on peut connecter à l'entrée STOP SAFETY EDGE plus d'un dispositif, même de type différent :

- dispositifs NO : raccorder la résistance de 8.2 kΩ en parallèle au dispositif.
- dispositifs NF : raccorder la résistance de 8.2 kΩ en série au dispositif.
- il est possible de raccorder plusieurs dispositifs NF en série sans limite de quantité.
- en présence de plusieurs dispositifs, tous doivent être raccordés « en cascade » avec une seule résistance de terminaison de 8.2 kΩ.
- il est possible de créer une combinaison de type NO et NF en installant les deux contacts « en parallèle ». Dans ce cas, il faudra intégrer en série au contact NF une résistance de 8.2 kΩ. Cela permet également de combiner les trois dispositifs : NO, NF et 8.2 kΩ.

7.7 - Raccordement d'un récepteur radio

La logique de commande présente un connecteur de type SM pour le raccordement d'un récepteur radio (accessoire vendu séparément) modèle SMXI, SMXIS, OXI, OXIT ou similaires.

Pour installer le récepteur radio, il faudra débrancher l'alimentation électrique du secteur à la logique de commande et insérer le récepteur conformément à la fig. 17.

Le Tableau 2 contient les actions réalisées par la logique de commande en fonction des sorties activées ou des commandes envoyées par le récepteur radio.

Remarque - Pour toute autre information, se référer au manuel du récepteur.

TABLEAU 2

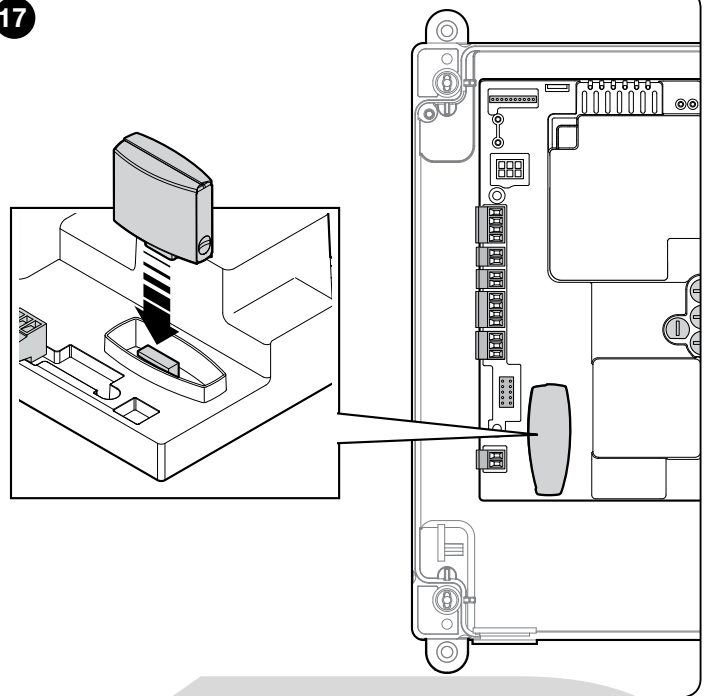
Récepteur SMXI, SMXIS en « Mode 1 ou 2 »	
sortie	description
Sortie N°1	Pas-à-pas
Sortie N°2	Ouverture partielle ; valeur d'usine : ouvre à mi-course (peut être modifiée lors de la reconnaissance des cotes ou à l'aide du programmeur Oview)
Sortie N°3	Ouverture
Sortie N°4	Fermeture
Récepteur OXI, OXIT programmé en « Mode 2 étendu »	
commande	description
Commande n°1	Pas-à-pas
Commande n°2	Ouverture partielle ; valeur d'usine : ouvre à mi-course (peut être modifiée lors de la reconnaissance des cotes ou à l'aide du programmeur Oview)
Commande n°3	Ouverture
Commande n°4	Fermeture
Commande n°5	Stop
Commande n°6	Pas-à-pas commun
Commande n°7	Pas-à-pas prioritaire
Commande n°8	Ouverture partielle 2
Commande n°9	Ouverture partielle 3
Commande n°10	Ouverture et blocage automatisme
Commande n°11	Fermeture et blocage automatisme
Commande n°12	Blocage automatisme
Commande n°13	Déblocage automatisme
Commande n°14	Éclairage automatique temporisateur
Commande n°15	Éclairage automatique ON/OFF

7.8 - Premier allumage et vérification des raccordements

Après avoir branché la logique de commande, effectuer les contrôles suivants :

- Vérifier si la led verte L2 (près des micro-interrupteurs) clignote régulièrement à raison d'un clignotement par seconde.
- Si l'installation comporte des photocellules, vérifier si leurs led clignotent (RX) ; le type de clignotement n'a pas d'importance car il dépend d'autres éléments.
- S'assurer que la led LED SAFETY rouge près du connecteur du câble du clavier est allumée en permanence (voir Tableau diagnostic du led Safety paragraphe 10.2).

17



Si au moins un de ces contrôles ne correspond pas aux attentes, il faudra débrancher la logique de commande et vérifier les différents branchements.

7.9 - Effacement complet de la mémoire de la logique de commande

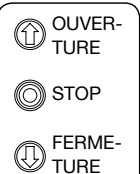
Il est possible d'effacer toutes les données enregistrées et de rétablir la configuration d'origine.

01.	Régler les micro-interrupteurs 1-2-3-4 sur ON = les led verte et rouge commencent à clignoter rapidement	
02.	Garder la touche STOP enfoncée pendant 3 secondes jusqu'à ce que les led verte et rouge s'allument en fixe	
03.	Relâcher la touche STOP	
04.	La logique de commande procède alors à une RÉINITIALISATION (RESET) = les led verte et rouge commencent à clignoter rapidement	
05.	Régler les micro-interrupteurs 1-2-3-4 sur OFF	

7.10 - Reconnaissance des dispositifs de sécurité et des positions d'ouverture et de fermeture

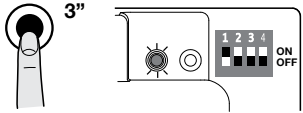
Après avoir procédé au premier allumage (paragraphe 7.8), avant de sélectionner les positions d'Ouverture et de Fermeture du portail, il faut procéder à la reconnaissance des dispositifs de sécurité raccordés à l'entrée « STOP Safety Edge » de la part de la logique de commande.

ATTENTION ! - Lors de la phase de reconnaissance, il doit y avoir au moins un dispositif de sécurité connecté à la logique de commande.

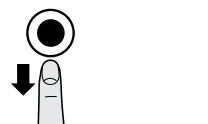


01.	Régler micro-interrupteur 1 sur ON = - La led verte commence à clignoter rapidement - La led rouge est éteinte	
-----	--	--

02. Garder la touche STOP enfoncée jusqu'à ce que la led rouge s'allume en fixe (au bout de 3 sec. environ)



03. Relâcher la touche STOP



Il faut répéter cette procédure si une modification est apportée aux dispositifs connectés à la borne « STOP Safety Edge » (par exemple, après avoir connecté un nouveau dispositif à la logique de commande).

Au terme de la reconnaissance des dispositifs de sécurité de l'automatisme, il faut que la logique de commande détecte les positions d'ouverture et de fermeture du portail.

ATTENTION ! - La procédure de reconnaissance des dispositifs de sécurité et des positions d'ouverture et de fermeture du portail, doit être effectuée à la suite, sans interruptions. Il n'est pas possible de procéder à la reconnaissance des dispositifs dans un premier temps et la reconnaissance des positions dans un deuxième temps.

7.10.1 - Reconnaissance des positions d'ouverture et de fermeture avec fin de course mécanique

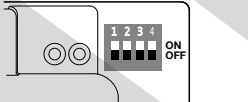
Deux positions peuvent être programmées, selon les indications ci-après :

Position	Signification
Ouverture	Mesure d'ouverture maximale. Arrêt lorsque le portail arrive en position.
Fermeture	Mesure de fermeture maximale. Arrêt lorsque le portail arrive en position.


Attention ! - Si le sens de rotation ne correspond pas à la direction définie (touche Open = direction d'ouverture), il faudra inverser les raccordements « V » et « W » (inversion de phase) dans le connecteur du moteur (fig. 18).

Pour réaliser la procédure, agir comme suit :

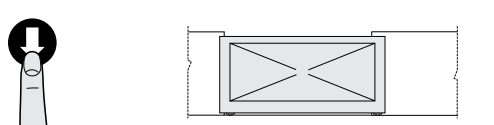
01. Déplacer le micro-interrupteur 1 sur la position OFF.



02. Appuyer sur la touche « Ouverture » pour amener le portail dans sa position d'ouverture maximale.



03. Appuyer sur la touche « Fermeture » pour amener le portail dans sa position de fermeture maximale.



ATTENTION ! - Les phases de reconnaissance ne doivent pas être interrompues. Si cela se produit, la procédure de reconnaissance doit être réitérée dans son intégralité. Si au terme de la phase de reconnaissance, la led rouge clignote 9 fois - pause - 9 fois, c'est qu'une erreur s'est produite. Si elle clignote 3 fois - pause - 3 fois, réinitialiser l'erreur en appuyant sur la touche STOP et inverser la connexion Du fin de course d'ouverture avec celui de fermeture à la borne LIMIT SWITCH (fig. 14). La phase de reconnaissance des positions peut être réitérée à tout moment, même après l'installation.

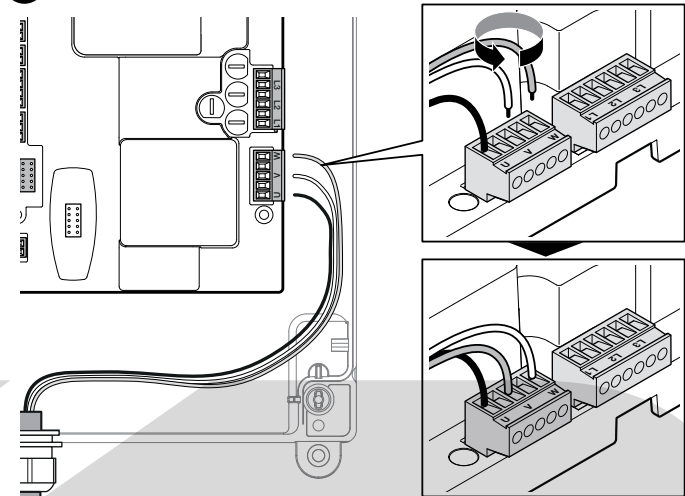
7.11 - Mode de fonctionnement

ATTENTION ! - Si les fonctions du tableau 3 sont programmées avec le programmeur Oview, il faut configurer les micro-interrupteurs = OFF.

DIP1	DIP2	DIP3	DIP4	Fonction
OFF	OFF	OFF	OFF	Mouvement homme mort
ON	x	OFF	OFF	Reconnaissance cotes et état d'entrée ALT
OFF	ON	OFF	OFF	Sens de rotation de l'encodeur inversé

OFF	x	OFF	ON	Mode Industriel (ouverture semi-automatique – fermeture homme mort), si les cotes ont été reconnues
OFF	x	ON	OFF	Mode semi-automatique, si les cotes ont été reconnues
OFF	x	ON	ON	Mode automatique avec temps de pause réglable, si les cotes ont été reconnues (pour les mémorisations du temps de pause, voir le paragraphe 10.1.2 « Autres fonctions »)

18



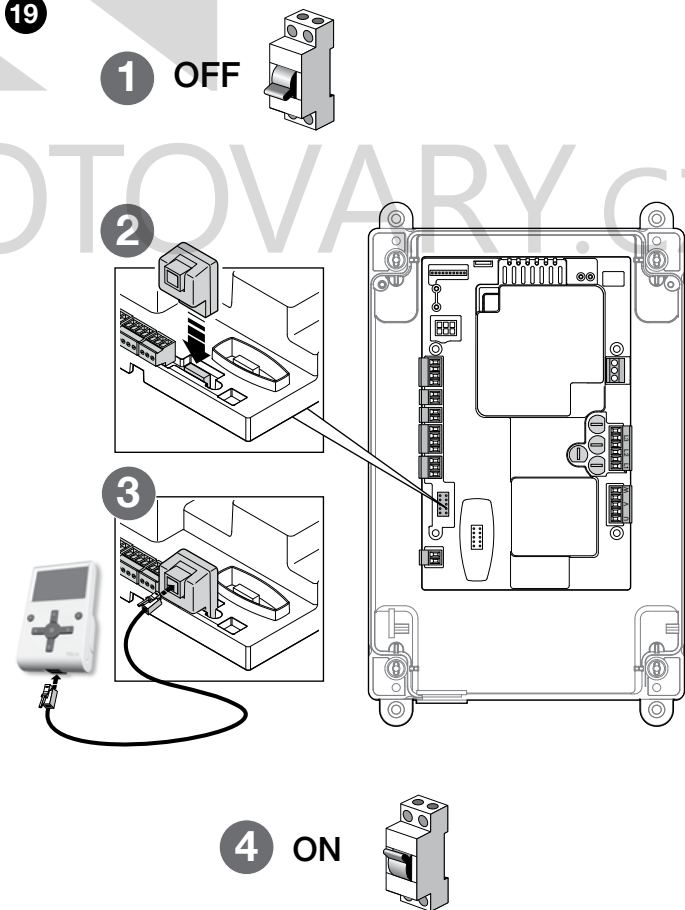
7.12 - Unité de programmation Oview

L'utilisation de l'unité de programmation Oview permet une gestion rapide et complète de la phase d'installation, d'entretien et de diagnostic de l'automatisme. Il est possible de connecter Oview à l'unité de commande par le biais de l'interface IBT4N moyennant un câble bus à 4 fils électriques internes.

Pour accéder au connecteur BusT4, il faut ouvrir le boîtier de la logique et insérer le connecteur IBT4N dans l'emplacement prévu, puis connecter le programmeur Oview (fig. 19).

Oview peut être utilisé, par rapport à la logique de commande, à une distance maximale équivalant à 100 mètres de câble. Il peut être relié à plusieurs logiques de commande (jusqu'à 16) et peut rester branché pendant le fonc-

19



1 OFF

2

3

4 ON

tionnement normal de l'automatisme. Pour utiliser Oview, il faut observer les consignes reprises dans la notice d'instructions d'Oview.

Si la logique de commande est équipée d'un récepteur radio de la série OXI, en utilisant Oview, il est possible d'accéder aux paramètres des émetteurs mémorisés dans le récepteur. Pour toute information complémentaire, consulter la notice d'instructions Oview ou la fiche contenant les fonctions de la logique de commande, disponible sur le site www.niceforyou.com

ATTENTION ! - Si les fonctions du tableau 3 sont programmées avec le programmeur Oview, il faut configurer les micro-interrupteurs = OFF.

FR

8 ESSAI ET MISE EN SERVICE

Les phases d'essai et de mise en service sont les plus importantes pendant la mise en place de l'automatisme, car elles permettent d'en garantir la sécurité. La procédure d'essai peut être également utilisée pour vérifier périodiquement les dispositifs qui composent l'automatisme.

Ces phases doivent être effectuées par du personnel qualifié et expérimenté qui devra se charger d'établir les essais nécessaires pour vérifier les solutions adoptées en fonction du risque présent et s'assurer du respect de tout ce qui est prévu par les lois, les normes et les réglementations et notamment de toutes les prescriptions de la norme EN 12445 qui établit les méthodes d'essai pour le contrôle des automatismes de portes et barrières. Les dispositifs supplémentaires doivent faire l'objet d'essais spécifiques en termes de fonctionnalités, mais aussi au niveau de leur interaction avec la logique de commande. Pour cela, consulter le manuel des dispositifs en question.

8.1 - Essai

La séquence des opérations à effectuer concerne une installation standard :

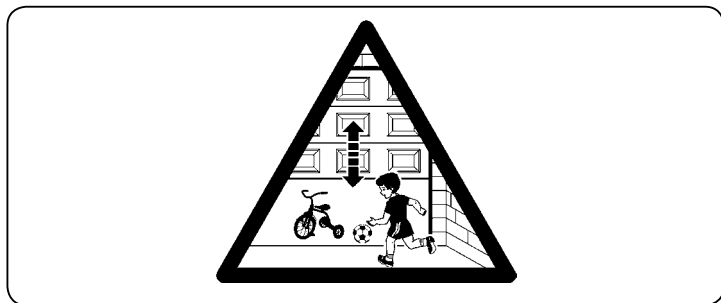
- 1 Vérifier si les éléments prévus dans le chapitre « Recommandations pour l'installation » ont été respectés.
- 2 Débrayer le moteur. S'assurer qu'il est possible de déplacer manuellement le portail en ouverture et en fermeture avec une force inférieure ou égale à 225 N.
- 3 Embrayer le moteur.
- 4 À l'aide des dispositifs de commande (émetteur, bouton de commande, sélecteur à clé, etc.), réaliser des essais d'ouverture, de fermeture et d'arrêt du portail en veillant à ce que le mouvement des vantaux corresponde bien à ce qui est prévu. Il convient d'effectuer différentes manœuvres pour contrôler la fluidité du mouvement et détecter les éventuels défauts de montage et de réglage ainsi que la présence de points de frottement.
- 5 Vérifier un par un le fonctionnement correct de tous les dispositifs de sécurité présents dans l'installation (photocellules, barres palpeuses, etc.).
- 6 Si les risques liés au mouvement des vantaux n'ont pas été résorbés par la limitation de la force d'impact, il faut effectuer la mesure de la force suivant les prescriptions de la norme EN 12445.

8.2 - Mise en service

La mise en service peut avoir lieu uniquement au terme des différentes phases d'essai (par 8.1) de la logique de commande et des autres dispositifs présents.

La mise en service partielle ou dans des situations « provisoires » n'est pas autorisée.

- 1 Réaliser et conserver pendant au moins 10 ans le dossier technique de l'automatisme qui devra comprendre au moins les éléments suivants : dessin global de l'automatisme, schéma des raccordements électriques, analyse des risques et solutions adoptées, déclaration de conformité du fabricant de tous les dispositifs utilisés (pour OVO, utiliser la Déclaration CE de conformité en annexe), copie du manuel d'utilisation et du plan d'entretien de l'automatisme.
- 2 Fixer sur le portail une plaque contenant au moins les données suivantes : type d'automatisme, nom et adresse du constructeur (responsable de la « mise en service »), numéro de série, année de construction et label CE.
- 3 Installer une étiquette ou une plaque à proximité du portail, contenant les indications relatives au déblocage et à la manœuvre manuelle
- 4 Fixer de manière permanente sur le portail une étiquette ou une plaque avec cette image (hauteur minimum : 60 mm).



- 5 Remplir et remettre au propriétaire la déclaration de conformité de l'automatisme.
- 6 Rédiger et remettre au propriétaire de l'automatisme le manuel « Instructions et recommandations pour l'utilisation de l'automatisme ».
- 7 Fournir au propriétaire le programme d'entretien de l'automatisme (qui devra contenir toutes les précisions quant à l'entretien des différents dispositifs).

9 INSTALLATION ET RACCORDEMENT ÉLECTRIQUE DES DEUX LOGIQUES DE COMMANDE POUR LE FONCTIONNEMENT AVEC VANTAUX COULISSANTS

Pour réaliser un automatisme composé de deux vantaux qui se déplacent de façon opposée, il faut utiliser deux logiques de commande raccordées comme indiqué dans la **fig. 20**.

Les moteurs et les fins de course doivent être connectés à chaque logique. La lampe clignotante et la sortie SCA (voyant portail ouvert) peuvent être connectées indifféremment à l'une des deux logiques ou être installées une seule pour chaque logique de commande (**fig. A** page 6).

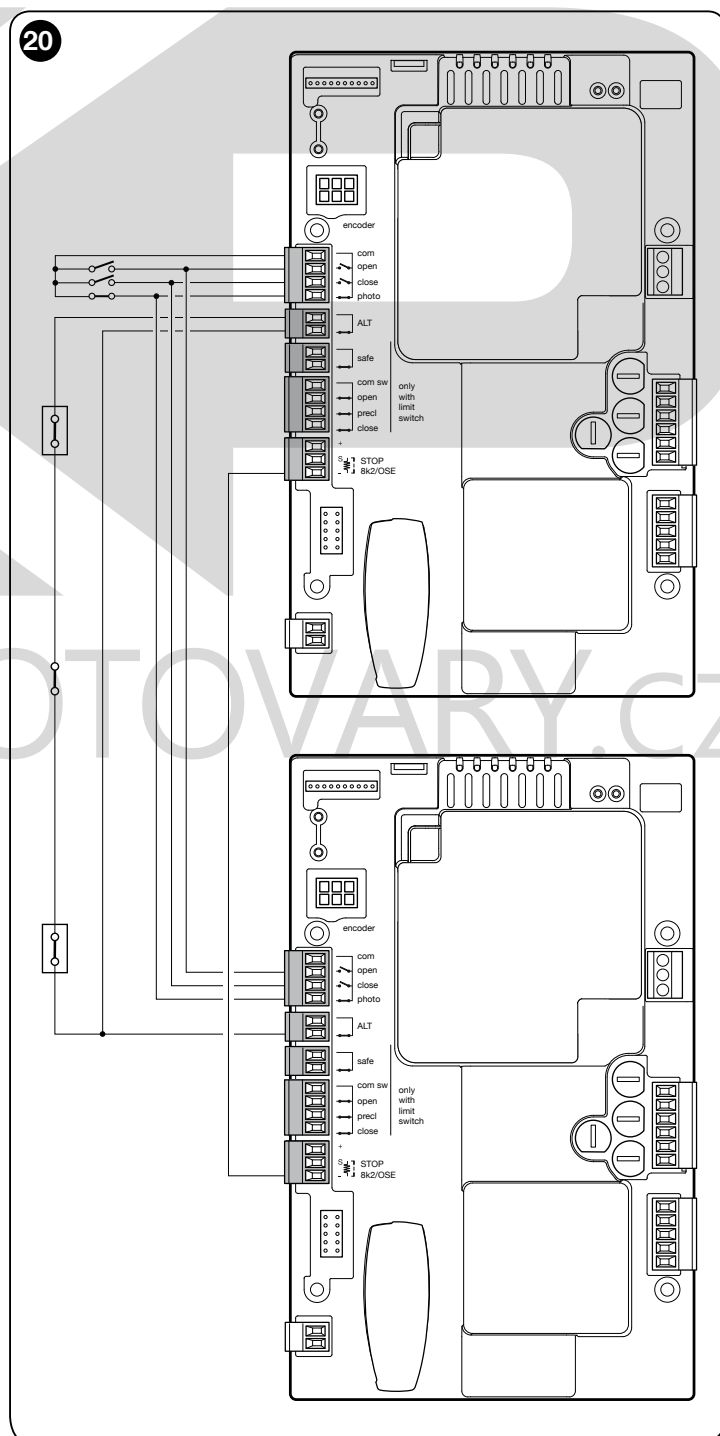
Les entrées doivent être placées en parallèle entre elles ; l'entrée « Commune » peut être connectée à l'une des deux logiques.

Raccorder les bornes - de la barre palpeuse (8k2/OSE) de deux logiques de commande.

Configurer l'entrée de « Ouvrir » comme « Usage collectif », à l'aide du programmeur O-View qui permet de resynchroniser les vantaux si les deux logiques de commande perdent leur synchronisme.

Avec cette configuration, il faut rappeler que :

- l'intervention de la barre palpeuse a un effet seulement uniquement sur chaque vantail.
- la touche rouge STOP a un effet uniquement sur le vantail.
- l'intervention de la protection thermique a un effet seulement uniquement sur chaque vantail.



10 APPROFONDISSEMENTS ET DIAGNOSTIC

10.1 - Approfondissements

10.1.1 - Signalisations à l'allumage

À l'allumage de la logique de commande DPRO500, le comportement des led L2 OK verte et L1 WARNING rouge, est significatif, comme illustré dans le Tableau 4. Les informations signalées sont notamment :

- Si la reconnaissance des positions d'ouverture et de fermeture est correcte.
- Si la reconnaissance de la sécurité (barre palpeuse) est correcte et quel type de sécurité a été reconnu.

Signalisations à l'allumage	Signalisation	
	Led L2 OK VERT	Led L1 WARNING ROUGE
Mémoire blanche (aucune position ni sécurité acquise)	Clignotement rapide pendant 5 secondes	Clignotement rapide pendant 5 secondes
Positions reconnues correctement et sécurité « 8k2 » reconnue	Clignotement rapide pendant 2 secondes	Un seul clignotement lent
Positions reconnues correctement et sécurité « OSE » reconnue	Clignotement rapide pendant 2 secondes	Deux clignotements lents

Après les signalisations comme indiqué dans le tableau 4, la logique de commande DPRO500 indique les erreurs éventuelles par le diagnostic par le biais des led L2 OK et L1 WARNING.

10.1.2 - Autres fonctions

Témoin d'état et diagnostic (borne sur le clavier)

La logique de commande permet le branchement d'un voyant de 24 V – 5 W maxi sur la borne « témoin » de la carte clavier à boutons à l'intérieur du couvercle du boîtier (fig. 21 : borne 1 -, 2 +). Le témoin peut être installé sur le couvercle, s'il a été préalablement percé ou à l'extérieur de la logique de commande, à une distance maximale de 2 mètres.

ATTENTION ! - La sortie n'est pas à l'abri d'un court-circuit.

Le témoin fonctionne comme suit :

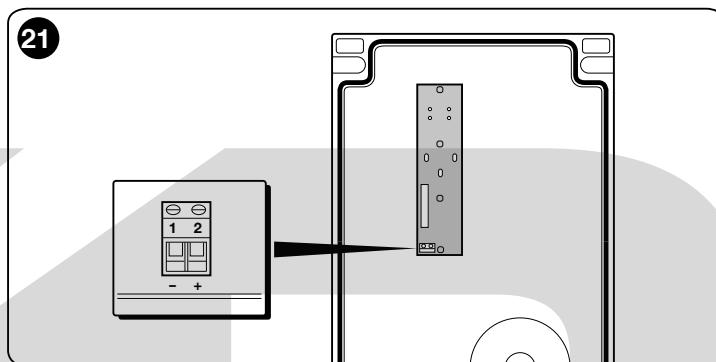
- éteint lorsque la chaîne de sécurité est ouverte (ent ALT, touche STOP rouge, protection thermique ou débrayage)
- clignotant 0,5s ON, 0,5s OFF, lorsqu'il fonctionne correctement
- indique le même diagnostic que la led L1 WARNING rouge lorsque de « graves erreurs » sont présentes (paragraphe 10.2).

Réglage du temps de pause de fermeture automatique

- 1 Placer les micro-interrupteurs 3 et 4 sur la position ON.
- 2 Avec une commande d'ouverture, placer la porte dans sa position d'ouverture maximale.
- 3 Une fois que cette position est atteinte, attendre un temps équivalent au temps de pause de fermeture automatique désiré et donner une commande de fermeture. Le temps de pause de la fermeture automatique est à présent mémorisé.

Pour modifier la valeur du temps de pause placer les interrupteurs 3 et 4 sur OFF et puis à nouveau sur ON. À ce stade, il faut répéter la séquence ouverture, temps de pause, fermeture.

ATTENTION ! - Quand le micro-interrupteur 4 est placé en position OFF, le temps de pause est effacé.



10.2 - Diagnostic

Certains dispositifs sont prévus pour émettre un signal permettant de détecter l'état de fonctionnement ou les éventuelles anomalies. Le tableau suivant décrit les différents signaux par type de problème. Les signalisations ont lieu par clignotements des led L2 OK verte et L1 WARNING rouge et, au besoin, par un clignotant, reliées aux sorties de la logique de commande et dûment programmées.

DIAGNOSTIC LED L2 OK VERTE			
Signalisation	Cause	Solution	Clignotant
2 clignotements - pause courte 2 clignotements - pause prolongée	Intervention d'une photocellule	Au début de la manœuvre, une ou plusieurs photocellules n'autorisent pas le mouvement. Vérifier la présence d'obstacles ou si les photocellules provoquent des interférences au niveau de l'infrarouge. Lorsque les sécurités sont intervenues, il est possible de commander l'automatisme avec homme mort par le biais de commandes filaires. Il n'est pas possible d'envoyer des commandes par radio.	Clignotement
4 clignotements - pause courte 4 clignotements - pause prolongée	Intervention de l'entrée de STOP	Au début de la manœuvre ou durant le mouvement, il y a eu une intervention de l'entrée de STOP ou ALT. En vérifier la cause. Lorsque les sécurités sont intervenues, il est possible de commander l'automatisme avec homme mort par le biais de commandes filaires. Il n'est pas possible d'envoyer des commandes par radio.	Clignotement
6 clignotements - pause courte 6 clignotements - pause prolongée	Limiteur de manœuvres	---	Clignotement
9 clignotements - pause courte 9 clignotements - pause prolongée	Automatisme bloqué	Envoyer la commande « Débloquer l'automatisme » ou bien lancer la manœuvre « Pas-à-pas prioritaire ».	Clignotement
Allumage des led pendant 3 secondes	Blocage automatisme	---	Clignotement
2 clignotements d'1 seconde pause d'1,5 s	Automatisme débloqué	---	Clignotement

DIAGNOSTIC LED L1 WARNING ROUGE			
⚠ Certaines signalisations peuvent être annulées en appuyant sur la touche rouge STOP			
Signalisation	Cause	Solution	Clignotant
5 clignotements - pause courte 5 clignotements - pause prolongée	Erreur EEPROM - Erreur dans les paramètres internes de la logique de commande	Débrancher et rebrancher. Si l'erreur persiste, effacer l'« Effacement total de la mémoire » conformément au paragraphe 7.8 et réinstaller. Si rien ne change, il pourrait s'agir d'une panne importante. Il faut donc remplacer la carte électronique.	Clignotement
2 clignotements - pause courte 2 clignotements - pause prolongée	Erreur Test Sécurités	Effectuer à nouveau la procédure de reconnaissance des dispositifs de sécurité connectés à la logique de commande (paragraphe 7.9).	---

3 clignotements - pause courte 3 clignotements - pause prolongée	Erreur du sens de rotation de l'encodeur ou fin de course inversé	Inverser le sens de rotation de l'encodeur en plaçant sur ON le micro-interrupteur 2 (voir le paragraphe 7.10). Si le moteur a un fin de course mécanique, réinitialiser l'erreur en appuyant sur la touche STOP et inverser la connexion du fin de course d'ouverture avec celui de fermeture à la borne LIMIT SWITCH (fig. 14).	
4 clignotements - pause courte 4 clignotements - pause prolongée	Erreur fin de course de sécurité	Le portail a dépassé les fins de course de sécurité, en Ouverture ou en Fermeture. A l'aide du système de manœuvre d'urgence, ramener manuellement le portail à mi-hauteur environ (voir la notice du moteur) et appuyer sur la touche STOP sur le couvercle pour rétablir le fonctionnement. Évaluer s'il faut modifier les positions Ouverture/Fermeture reconnues précédemment.	---
6 clignotements - pause courte 6 clignotements - pause prolongée	Erreur télérupteur	Déconnecter tous les circuits d'alimentation pendant quelques secondes puis tenter d'exécuter de nouveau une commande. Si la situation persiste, il peut y avoir une panne grave sur la carte ou sur le câblage du moteur. Vérifier et procéder aux remplacements nécessaires.	---
7 clignotements - pause courte 7 clignotements - pause prolongée	Erreur de communication RS485 Encodeur	Vérifier la connexion du câble moteur-logique, notamment celle du câble de l'encodeur (6 fils colorés).	---
8 clignotements - pause courte 8 clignotements - pause prolongée	Erreur encodeur	Vérifier la connexion du câble moteur-logique, notamment celle du câble de l'encodeur (6 fils colorés). Effectuer à nouveau la procédure de reconnaissance des positions d'Ouverture et de Fermeture.	---
9 clignotements - pause courte 9 clignotements - pause prolongée	Erreur reconnaissance fin de course	Refaire une nouvelle fois la procédure de reconnaissance des positions d'Ouverture et de Fermeture.	---
10 clignotements - pause courte 10 clignotements - pause prolongée	Erreur délai d'expiration manœuvre	La valeur par défaut du délai d'expiration de la manœuvre est de 60 secondes. S'assurer qu'il n'y a aucun obstacle gênant le mouvement du portail et que le portail a bien effectué le mouvement. Vérifier (à l'aide du programmeur Oview si disponible) si la durée du temporisateur a été modifiée. Effectuer à nouveau la reconnaissance des positions d'ouverture et de fermeture.	---

Remarque – la signalisation diagnostic par clignotement des led s'interrompt au moment où la commande est donnée à la logique de commande.

La signalisation diagnostic, à l'aide d'un clignotant externe*, se poursuit pendant deux séquences de clignotements (c'est-à-dire une séquence de « 3 clignotements - pause courte - 3 clignotements - pause longue » répétée deux fois).

IMPORTANT : pour connecter le clignotant extérieur, il faut utiliser la carte NDA040 (non fournie).

* Configuré avec un programmeur Oview comme « Clignotant 1 ».

DIAGNOSTIC LED L1 et L2	
Signalisation	Cause
Clignotement rapide alterné led rouge et led verte	Phase de mise à jour du firmware en cours
4 clignotements - pause - 4 clignotements simultanés des led	Dans l'attente de mise à jour du firmware

DIAGNOSTIC LED SAFETY		
Signalisation	Cause	Solution
Allumée	Fonctionnement correct	---
Éteinte	Chaîne de sécurité ouverte	La chaîne de sécurité se compose d'une série d'entrées (ALT, Stop par la touche, protection thermique, débrayage moteur). Fermer le circuit

(guide de résolution des problèmes)

Vous trouverez ci-dessous les principales causes de dysfonctionnement qui peuvent apparaître lors de la phase d'installation ou suite à une panne, ainsi que les solutions possibles :

- **Le moteur est arrêté, aucune opération ne peut être commandée et la led rouge clignote** : vérifier le type de clignotement en contrôlant le tableau de diagnostic led L1 warning (paragraphe 10.2), puis appuyer sur la touche rouge STOP pour annuler le diagnostic.
- **L'émetteur radio ne commande pas le mouvement et la led sur l'émetteur ne s'allume pas** : vérifier si les piles de l'émetteur ne sont pas déchargées et les remplacer le cas échéant.
- **L'émetteur radio ne commande pas le mouvement mais la led sur l'émetteur s'allume** : vérifier si l'émetteur est bien mémorisé dans le récepteur radio. Vérifier si l'émetteur émet bien le signal radio en effectuant le test suivant : appuyer sur une touche de l'émetteur et poser la led sur l'antenne d'une radio standard. Passer à la fréquence FM de 108,5 Mhz ou la fréquence la plus proche. Un bruit et une impulsion devraient être audibles.
- **La commande ne donne lieu à aucune manœuvre et la led OK ne clignote pas** : vérifier si la logique de commande est alimentée par une tension de 230/400V. Vérifier si les fusibles n'ont pas sauté. Si c'est le cas, vérifier la cause de la panne et remplacer les fusibles par des fusibles ayant les mêmes caractéristiques.
- **La commande envoyée n'est pas exécutée et le clignotant est éteint** : vérifier si la commande est bien reçue. Si la commande arrive à l'entrée PP, la led OK clignote deux fois pour signaler que la commande a bien été reçue.
- **La manœuvre n'a pas lieu et le clignotant clignote** : compter le nombre de clignotements et vérifier la signification des clignotements sur le tableau de diagnostic dans le paragraphe 10.2.
- **Le moteur tourne à l'envers** :
 - pour le moteur triphasé, il faut inverser les phases « V » et « W » du moteur
 - pour le moteur monophasé, il faut inverser les phases « V » et « W » du moteur
- **La manœuvre commence et s'arrête peu après** : vérifier la cause du problème à l'aide du diagnostic des led de la logique de commande.
- **La led L1 WARNING rouge émet 9 clignotements suivis d'une pause** : il y a eu une erreur au niveau de la procédure de reconnaissance des cotes d'ouverture et de fermeture, il faut effacer la mémoire (voir 7.9.) et recommencer la reconnaissance des cotes (voir 7.10).

12 MISE AU REBUT DU PRODUIT

Ce produit fait partie intégrante de l'automatisme et doit donc être mis au rebut avec ce dernier.

Tout comme l'installation, les opérations de démantèlement, à la fin de la durée de vie de ce produit, doivent être effectuées par du personnel qualifié.

Ce produit se compose de divers matériaux : certains peuvent être recyclés, d'autres doivent être mis au rebut. Informez-vous sur les systèmes de recyclage ou de mise au rebut prévus par les normes en vigueur dans votre région pour cette catégorie de produit.

Attention ! – Certains composants du produit peuvent contenir des substances polluantes ou dangereuses qui pourraient avoir des effets nuisibles sur l'environnement et sur la santé des personnes s'ils étaient jetés dans la nature.



Comme l'indique le symbole ci-contre, il est interdit de jeter ce produit avec les ordures ménagères. Procéder à la « collecte différenciée » des composants pour leur traitement conformément aux méthodes prescrites par les normes locales en vigueur ou restituer le produit au vendeur lors de l'achat d'un nouveau produit équivalent.

Attention ! – les règlements locaux en vigueur peuvent prévoir de lourdes sanctions en cas d'élimination abusive de ce produit.

13 CARACTÉRISTIQUES TECHNIQUES DU PRODUIT

RECOMMANDATIONS : • Toutes les caractéristiques techniques indiquées se réfèrent à une température ambiante de 20 °C (+/- 5 °C). • La société Nice S.p.A. se réserve le droit d'apporter des modifications au produit à tout moment si elle le juge nécessaire, en garantissant dans tous les cas les mêmes fonctions et la même utilisation prévue.

MODÈLE	TUB4000
Typologie	Opérateur électromécanique, à freinage automatique, pour le mouvement automatique de portails coulissants pour usage industriel avec logique électronique de commande DPRO500
Pignon	Z = 18 ; Module = 6 ; Pas = 18,8
Couple maximum au démarrage	216 Nm
Couple nominal	65 Nm
Vitesse au couple nominal	0,16m/s (9,50m/min.)
Limites d'application	TUB4000 est généralement en mesure d'automatiser des portails d'un poids jusqu'à 4000 kg ou d'une longueur jusqu'à 30 mètres
Alimentation	3~ 400 Vca +/-10% ; 50 Hz.
Puissance nominale absorbée	580 W
Courant nominal absorbé	1,6 A
Classe d'isolement	1 (la mise à la terre est nécessaire)
Température de fonctionnement	-20°C ... 55°C
Indice de protection	IP 54
Dimensions (mm)	580 x 480 x 240
Poids	60 kg

**Déclaration de conformité UE (N. 624/TUB4)
et déclaration d'incorporation de « quasi-machine »**

Remarque - Le contenu de cette déclaration de conformité correspond à ce qui est déclaré dans le document officiel, déposé au siège de Nice S.p.A., et en particulier à sa dernière révision disponible avant l'impression de ce manuel. Le présent texte a été réadapté pour des raisons d'édition. Une copie de la déclaration originale peut être demandée à Nice S.p.A. (TV) Italy.

Révision : 2

Langue : FR

Nom du fabricant : NICE S.p.A.

Adresse : Via Pezza Alta n°13, 31046 Rustignè di Oderzo (TV) Italy

Personne autorisée à constituer la documentation technique : NICE S.p.A.

Adresse : Via Pezza Alta n°13, 31046 Rustignè di Oderzo (TV) Italy

Type de produit : Motoréducteur électromécanique triphasé 400V

Modèle/Type : TUB4000

Accessoires : Récepteurs radio mod. SMXI, SMXIS et ONEXI, OXI, OXIBD, OXILR, OVIEW
Barre palpeuse optique TMF, NDA040
Photocellules ERA famille S, M, L

Je soussigné, Roberto Griffa, en qualité de Chief Executive Officer, déclare sous mon entière responsabilité que le produit susmentionné est conforme aux dispositions prescrites par les directives suivantes :

- Directive 2014/30/UE (EMC) EN 61000-6-2:2005 - EN 61000-6-3:2007+A1:2011

En outre, le produit s'avère conforme à la Directive ci-après selon les conditions essentielles requises pour les « quasi-machines » (Annexe II, partie 1, section B) :

- Directive 2006/42/CE DU PARLEMENT EUROPÉEN ET DU CONSEIL du 17 mai 2006 relative aux machines et modifiant la directive 95/16/CE (refonte).
 - Les documents techniques ont été rédigés conformément à l'annexe VII B de la directive 2006/42/CE. Les conditions essentielles suivantes ont été respectées : 1.1.1- 1.1.2- 1.1.3- 1.2.1-1.2.6- 1.5.1-1.5.2- 1.5.5- 1.5.6- 1.5.7- 1.5.8- 1.5.10- 1.5.11
 - Le producteur s'engage à transmettre aux autorités nationales, sur la base d'une demande motivée, les données relatives à la « quasi-machine », dans le respect des droits de propriété intellectuelle.
 - Si la « quasi-machine » a été mise en service dans un pays d'Europe dont la langue officielle diffère de celle utilisée dans la déclaration suivante, l'importateur doit annexer la traduction de la déclaration.
 - La « quasi-machine » ne pourra pas être mise en service tant que celle-ci n'aura pas été déclarée conforme, le cas échéant, à la directive 2006/42/CE.

De plus, le produit s'avère conforme aux normes suivantes : EN 60335-1:2012+A11:2014, EN 62233:2008, EN 60335-2-103:2015

Lieu et date : Oderzo, 19/12/2017

Ing. **Roberto Griffa**
(Chief Executive Officer)



⚠ Il est conseillé de conserver cette notice et de la remettre à tous les utilisateurs de l'automatisme.

AVERTISSEMENTS

- Surveiller le portail en mouvement et se tenir à une distance de sécurité tant qu'il n'est pas complètement ouvert ou fermé ; ne pas transiter dans le passage tant que le portail n'est pas complètement ouvert ou fermé.
- Ne pas laisser les enfants jouer à proximité du portail ou avec les commandes de celle-ci.
- Garder les émetteurs hors de portée des enfants.
- Suspendre immédiatement l'utilisation de l'automatisme si l'on remarque une anomalie quelconque dans le fonctionnement (bruits ou mouvements par secousses) ; le non-respect de cet avertissement peut entraîner de graves dangers et des risques d'accidents.
- Ne toucher aucune partie pendant qu'elle est en mouvement.
- Faire effectuer les contrôles périodiques suivant ce qui est prévu par le plan d'entretien.
- Les entretiens ou les réparations doivent être effectués seulement par du personnel technique qualifié.
- Envoyer une commande avec les dispositifs de sécurité hors d'usage :

Si les dispositifs de sécurité ne fonctionnent pas correctement ou sont hors service, il est quand même possible de commander le portail.

Lorsque les sécurités sont intervenues, il est possible de commander l'automatisme avec homme mort par le biais de commandes filaires. Il n'est pas possible d'envoyer des commandes par radio.

Si les dispositifs de sécurité sont hors service, il faut faire réparer au plus tôt l'automatisme.

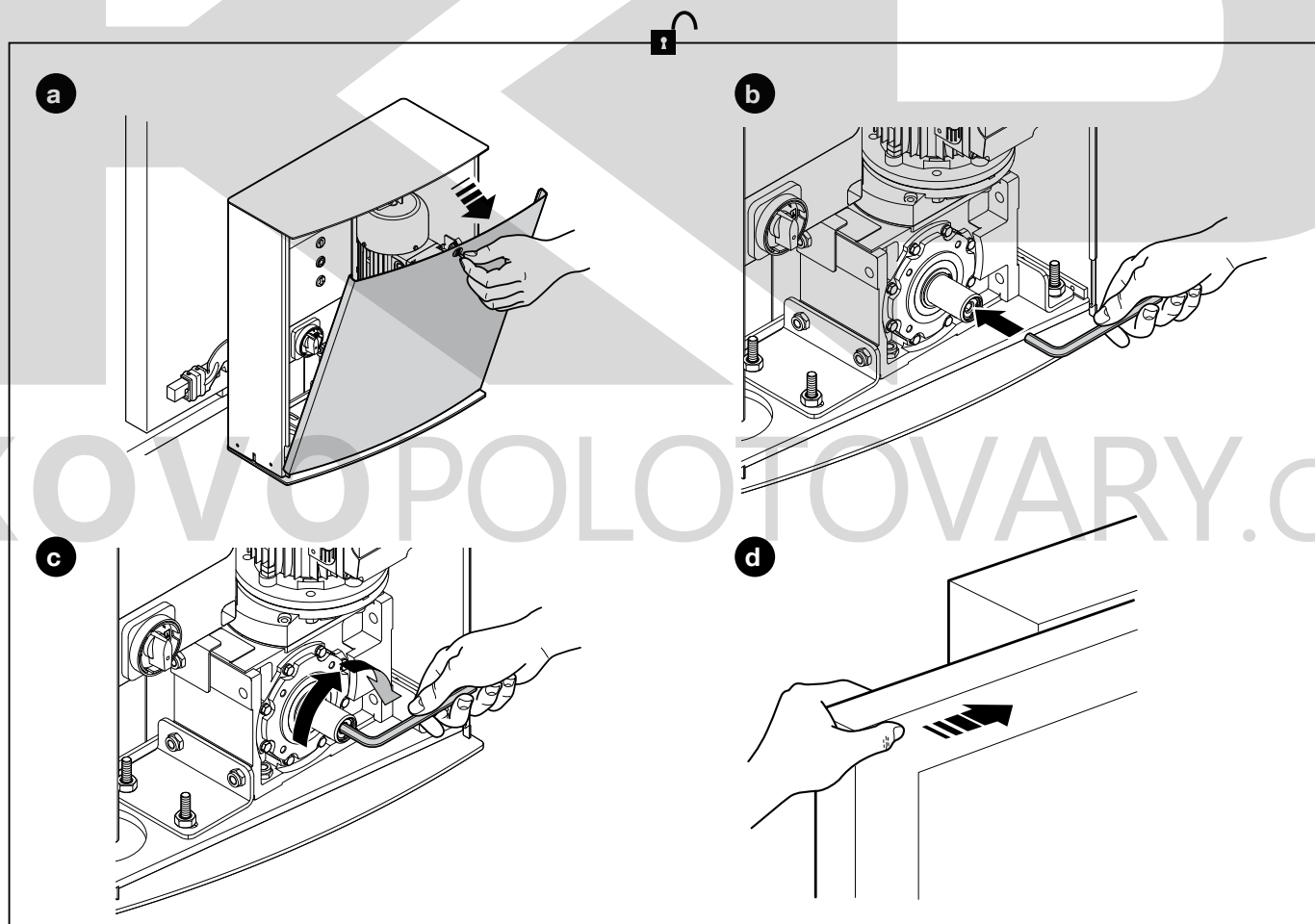
Débrayer et embrayer l'opérateur (manœuvre manuelle)

L'opérateur est doté d'un système mécanique qui permet d'ouvrir et de fermer manuellement le portail.

L'opération manuelle doit être utilisée en cas de panne de courant ou d'anomalies de l'installation.

En cas de panne de l'opérateur, il est tout de même possible d'essayer d'utiliser le débrayage du moteur pour vérifier si la panne ne concerne pas le mécanisme de débrayage.

Pour embrayer l'opérateur, effectuer les opérations décrites ci-dessous.



Interventions d'entretien autorisées à l'utilisateur

Nous indiquons ci-après les interventions que l'utilisateur doit effectuer périodiquement :

- **Nettoyage superficiel des dispositifs** : utiliser un chiffon légèrement humide (pas mouillé). Ne pas utiliser de substances contenant de l'alcool, du benzène, diluant ou autres substances inflammables ; l'utilisation de ces substances pourrait endommager les dispositifs et générer des incendies ou des chocs électriques.
- **Enlever les feuilles et les pierres** : couper l'alimentation électrique à l'automatisme avant de poursuivre, pour empêcher quiconque d'activer le portail. Si la batterie tampon est présente, la débrancher.



KOVOPOLOTOVARY.cz

ADVERTENCIAS GENERALES: SEGURIDAD - INSTALACIÓN - USO (instrucciones traducidas del italiano)

▲ Las siguientes advertencias se transcriben directamente de las Normas y se aplican, en la medida de lo posible, al producto en cuestión

ATENCIÓN Instrucciones importantes para la seguridad. Seguir todas las instrucciones: una instalación incorrecta puede provocar daños graves

ATENCIÓN Instrucciones importantes para la seguridad. Para la seguridad de las personas es importante seguir estas instrucciones. Conservar estas instrucciones

- Antes de comenzar la instalación, verificar las "Características técnicas del producto" y asegurarse de que el producto sea adecuado para la automatización en cuestión. NO proceder con la instalación si el producto no es adecuado
- El producto no se puede utilizar sin haber llevado a cabo las operaciones de puesta en servicio especificadas en el apartado "Prueba y puesta en servicio"

ATENCIÓN Según la legislación europea más reciente, la realización de una automatización debe respetar las normas armonizadas previstas por la Directiva Máquinas vigente, que permiten declarar la presunción de conformidad de la automatización. ¡Considerando todo esto, las operaciones de conexión a la red eléctrica, prueba, puesta en servicio y mantenimiento del producto deberán ser llevadas a cabo exclusivamente por un técnico cualificado y competente!

- Antes de proceder a la instalación del producto, comprobar que todo el material que se vaya a utilizar esté en perfectas condiciones y sea apto para el uso
- El producto no puede ser utilizado por niños ni por personas con capacidades físicas, sensoriales o mentales reducidas o carentes de experiencia o de conocimiento
- Los niños no deben jugar con el aparato
- No permitir que los niños jueguen con los dispositivos de mando del producto. Mantener los mandos a distancia fuera del alcance de los niños

ATENCIÓN Para evitar cualquier peligro debido al restablecimiento accidental del interruptor térmico, el aparato no debe alimentarse mediante un dispositivo de maniobra externo, como un temporizador, ni debe conectarse a un circuito que regularmente se conecte y desconecte de la alimentación

- En la red de alimentación de la instalación, colocar un dispositivo de desconexión (no suministrado) con una distancia de apertura de los contactos que permita la desconexión completa en las condiciones dictadas por la categoría de sobretensión III
- Durante la instalación, tratar el producto con cuidado evitando aplastamientos, caídas o contactos con cualquier tipo de líquido. No colocar el producto cerca de fuentes de calor y no exponerlo a llamas libres. Todas estas acciones pueden dañarlo y provocar defectos de funcionamiento o situaciones de peligro. En tal caso, suspender inmediatamente la instalación y acudir al Servicio de Asistencia
- El fabricante no asume ninguna responsabilidad ante daños patrimoniales, de bienes o de personas, derivados del incumplimiento de las instrucciones de montaje. En estos casos, la garantía por defectos de material queda sin efecto
- El nivel de presión acústica de la emisión ponderada A es inferior a 70 dB(A)
- La limpieza y el mantenimiento del aparato deben ser efectuados por el usuario y no por niños sin vigilancia
- Antes de realizar cualquier operación en la instalación (limpieza, mantenimiento) hay que desconectar el aparato de la red de alimentación
- Inspeccionar la instalación con frecuencia, especialmente los cables, muelles y soportes, a fin de detectar posibles desequilibrios y marcas de desgaste o daños. No utilizar la instalación si es necesaria una reparación o una regulación: una avería en la instalación o un equilibrio incorrecto de la puerta puede provocar lesiones
- El material del embalaje del producto debe desecharse en plena conformidad con la normativa local
- Mantener a las personas alejadas al accionar el movimiento de la puerta mediante los elementos de mando
- Durante la ejecución de un movimiento, controlar el sistema de automatización y asegurarse de que las personas se mantengan alejadas hasta que el sistema pare de funcionar
- No poner en funcionamiento el producto cuando en sus proximidades se estén realizando tareas en la automatización; es necesario desconectar la fuente de alimentación antes de realizar estas tareas
- Si el cable de alimentación está dañado, debe ser sustituido por el fabricante o por el servicio de asistencia técnica o por una persona con una calificación similar, para prevenir cualquier riesgo

ADVERTENCIAS DE INSTALACIÓN

- Antes de instalar el motor de accionamiento, comprobar que todos los órganos mecánicos estén en buenas condiciones y bien equilibrados y que la automatización se pueda manejar correctamente
- Si la cancela que se desea automatizar incluye una puerta peatonal, es necesario preparar la instalación con un sistema de control que inhabilite el funcionamiento del motor cuando la puerta peatonal esté abierta
- Asegurarse de que los elementos de mando se mantengan lejos de los órganos en movimiento, permitiendo la visión directa. A no ser que se utilice un selector, los elementos de mando se deben instalar a una altura mínima de 1,5 m y no deben quedar accesibles

Advertencias particulares relacionadas con las Directivas Europeas aplicables al producto

- Reglamento "Productos para la construcción": Advertencias particulares sobre este producto en relación con el Reglamento 305/2011:
 - La instalación completa de este producto tal como se describe en este manual de instrucciones y para algunos tipos de uso (excluyendo el uso para vehículos) puede determinar su inclusión en el campo de aplicación del Reglamento 305/2011 y la relativa norma armonizada EN 13241-1.
 - Es necesario aplicar los criterios de instalación necesarios para que el producto responda a los requisitos esenciales del Reglamento 305/2011; quien realice la instalación deberá comprobar y asegurarse de que todos estos criterios se hayan respetado estrictamente.
 - Podrían no estar garantizados los requisitos esenciales si el producto se instala y utiliza sin respetar alguno de estos criterios. Está prohibido utilizar el producto si el instalador no ha verificado la conformidad con los requisitos establecidos por la directiva; en este caso, la etiqueta "ES13241-1.4870" aplicada al producto deberá quitarse de inmediato y la "Declaración de conformidad CE" del anexo I de este manual quedará sin efecto. Quien realice la instalación se convertirá a su vez en fabricante del producto y deberá cumplir con las disposiciones del Reglamento 305/2011 y de la relativa norma armonizada EN 13241-1. En este caso, el producto deberá considerarse como "cuasi máquina" y la "Declaración de conformidad CE" del anexo II será válida y podrá estar incluida en el expediente técnico.

- Directiva “Baja Tensión”:

Advertencias particulares sobre la idoneidad de este producto según la Directiva “Baja Tensión”. Este producto responde a los requisitos establecidos por la Directiva “Baja Tensión” si se destina al uso y a las configuraciones previstas en este manual de instrucciones, en combinación con los artículos ilustrados en el catálogo de productos de Nice S.p.A.

Podrían no estar garantizados los requisitos si el producto se utilizara en configuraciones o con productos no previstos; está prohibido el uso del producto en estas situaciones si el instalador no ha verificado la conformidad a los requisitos establecidos por la normativa.

- Directiva “Compatibilidad Electromagnética”:

Advertencias particulares sobre la idoneidad de este producto según la Directiva “Compatibilidad Electromagnética”.

Este producto se ha sometido a pruebas de compatibilidad electromagnética en las situaciones de uso más críticas, en las configuraciones previstas en este manual de instrucciones y en combinación con los artículos ilustrados en el catálogo de productos de Nice S.p.A.

Podría no estar garantizada la compatibilidad electromagnética si el producto se utilizara en configuraciones o con productos no previstos; está prohibido el uso del producto en estas situaciones si el instalador no ha verificado la conformidad a los requisitos establecidos por la normativa.

ES **Criterios de instalación y advertencias particulares en relación con los requisitos esenciales**

- Si se instala correctamente, este producto cumple con los requisitos esenciales previstos por el Reglamento 305/2011 según lo establecido por la norma armonizada EN 13241-1, como se indica en la Tabla 1, y por la Directiva europea sobre “Máquinas” 2006/42/CE.

- Emisión de sustancias peligrosas:

El producto no contiene ni emite sustancias peligrosas, considerando la norma EN 13241-1, punto 4.2.9 y la lista de sustancias publicada en el sitio Internet de la Comunidad Europea.

Advertencia particular para garantizar el mantenimiento del requisito - Es fundamental que también los materiales empleados en la instalación, como los cables eléctricos, cumplan con este requisito.

- Apertura segura para puertas de movimiento horizontal: el producto no provoca movimientos incontrolados.

Advertencias particulares para garantizar el mantenimiento de los requisitos:

- Realizar la instalación siguiendo estrictamente todas las indicaciones de los capítulos “2 - Instalación” y “4 - Prueba y puesta en servicio”.
- Asegurarse de organizar un plan de mantenimiento estrictamente conforme a las instrucciones del capítulo “Plan de mantenimiento”.

- Los cierres correderos, en relación con los riesgos de aplastamiento y choque, están protegidos por uno de estos tres métodos:

1 - Para el funcionamiento con “mando sin retén automático” (hombre presente): según se especifica en EN 12453, punto 5.1.1.4. En este caso, la tecla de mando debe estar a la vista y, si está al alcance de la mano, su uso debe estar protegido por un selector de llave, por ejemplo.

2 - Para el funcionamiento “semiautomático”: a través del uso de una banda sensible activa para la limitación de las fuerzas según se especifica en EN 12453, puntos 5.1.1.5 y 5.1.3.

3 - Para el funcionamiento “automático”: a través del uso de una banda sensible activa para la limitación de las fuerzas según se especifica en EN 12453, puntos 5.1.1.5 y 5.1.3; en este caso, se debe instalar al menos un par de fotocélulas como se indica en la fig. 2.

KOVO POLOTOVARY.cz

TUB4000

ESPAÑOL

Instrucciones traducidas del italiano

Índice

ADVERTENCIAS GENERALES: SEGURIDAD - INSTALACIÓN - USO	1
1 - DESCRIPCIÓN DEL PRODUCTO Y USO PREVISTO.....	3
2 - INSTALACIÓN.....	3
2.1 - Controles preliminares a la instalación.....	3
2.2 - Límites de empleo del producto.....	3
2.3 - Instalación típica.....	4
2.4 - Fijación del motorreductor	4
2.5 - Instalación de los diferentes dispositivos en la central	4
3 - CONEXIONES ELÉCTRICAS.....	5
4 - PRUEBA Y PUESTA EN SERVICIO.....	7
4.1 - Prueba.....	7
5 - CENTRAL DE MANDO INCORPORADA DPRO500	8
5.1 - Descripción del producto y uso previsto	8
6 - INSTALACIÓN.....	8
6.1 - Controles preliminares a la instalación.....	8
6.2 - Límites de empleo del producto.....	8
6.3 - Instalación de la central de mando	8
7 - CONEXIONES ELÉCTRICAS.....	9
7.1 - Conexión del cable de alimentación trifásica	9
7.2 - Conexión del cable de alimentación monofásica	9
7.3 - Cambio de alimentación mediante jumper	9
7.4 - Descripción de las conexiones eléctricas: alimentación, dispositivos de seguridad, mando y accesorios	9
7.5 - Conexiones eléctricas de la central de mando.....	10
7.6 - Entrada STOP SAFETY EDGE.....	12
7.7 - Conexión de un radioreceptor	12
7.8 - Primer encendido y control de las conexiones	12
7.9 - Borrado total de la memoria de la central de mando	12
7.10 - Adquisición de los dispositivos conectados y de las posiciones de Apertura y Cierre.....	12
7.10.1 - Adquisición de las posiciones de Apertura y Cierre con tope mecánico	13
7.11 - Modos de funcionamiento	13
7.12 - Unidad de programación Oview.....	14
8 - PRUEBA Y PUESTA EN SERVICIO.....	14
8.1 - Prueba.....	14
8.2 - Puesta en servicio.....	14
9 - INSTALACIÓN Y CONEXIÓN ELÉCTRICA DE DOS CENTRALES PARA EL FUNCIONAMIENTO CON HOJAS CONTRAPUESTAS.....	14
10 - AHONDAMIENTOS Y DIAGNÓSTICO.....	15
10.1 - Ahondamientos.....	15
10.1.1 - Señales al encendido.....	15
10.1.2 - Otras funciones.....	15
10.2 - Diagnóstico.....	16
11 - QUÉ HACER SI.....	17
12 - ELIMINACIÓN DEL PRODUCTO.....	17
13 - CARACTERÍSTICAS TÉCNICAS DEL PRODUCTO	18
DECLARACIÓN DE CONFORMIDAD CE.....	18
GUÍA PARA EL USO (anexo separable).....	19

⚠ ¡IMPORTANTE!
Antes de ejecutar cualquier tipo de operación o procedimiento, leer atentamente las advertencias generales (pág. 1) y los límites de empleo (apartado 2.2)

1 DESCRIPCIÓN DEL PRODUCTO Y USO PREVISTO

TUB4000 es un motorreductor para cancelas correderas de gran tamaño para uso industrial, con central DPRO500 incorporada y predispuesta para la inserción de receptores NICE.

Funciona mediante energía eléctrica: en caso de interrupción del suministro es posible desbloquearlo mediante la llave y mover la cancela manualmente.

¡ATENCIÓN! – ¡Cualquier empleo diferente de aquel descrito y en condiciones ambientales diferentes de aquellas indicadas en este manual debe considerarse inadecuado y prohibido!

2 INSTALACIÓN

⚠ La instalación de TUB4000 debe ser efectuada por personal técnico cualificado, respetando las leyes, normas y reglamentos y las instrucciones de este manual.

2.1 - Controles preliminares a la instalación

Antes de proceder con la instalación, compruebe que los componentes del producto estén íntegros, que el modelo corresponda con el pedido y que sea idóneo para el entorno en el cual debe ser instalado:

- Compruebe que todo el material que se vaya a utilizar esté en perfectas condiciones y que sea apto para el uso previsto.
- Compruebe que todas las condiciones de uso estén dentro de los límites de empleo del producto (apartado 2.2) y de los valores indicados en "Características técnicas del producto".
- Compruebe que el ambiente de instalación sea compatible con el espacio total ocupado por el producto (fig. 1).
- Compruebe que las superficies de instalación sean firmes y garanticen una fijación segura.
- Compruebe que la zona de fijación no esté sujeta a inundaciones; en todo caso, haga una instalación levantada del suelo.
- Compruebe que el espacio alrededor del producto permita un acceso fácil y seguro.
- Compruebe que todos los cables eléctricos sean del tipo indicado en la tabla 2.
- Compruebe que en la automatización estén presentes los topes mecánicos de cierre y apertura.

2.2 - Límites de empleo del producto

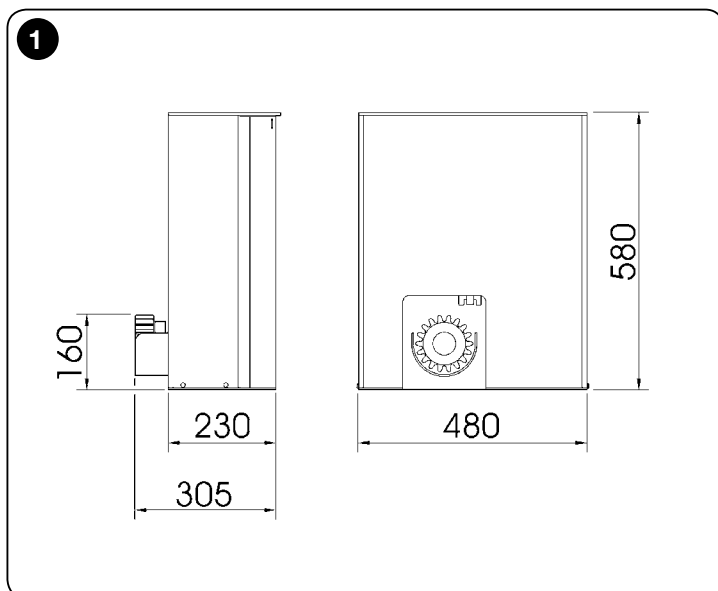
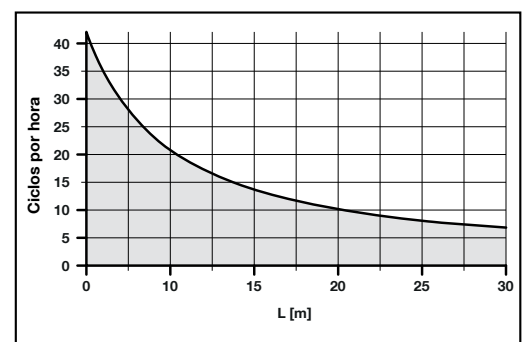
Los datos referidos a las prestaciones de TUB4000 están indicados en el capítulo "13 Características técnicas" y son los únicos valores que permiten la evaluación correcta de la idoneidad para su uso.

Generalmente TUB4000 puede automatizar cancelas con un peso de hasta 4000 kg o con una longitud de hasta 30 m según lo indicado en la Tabla 1.

TABLA 1

Longitud de la hoja en metros	Máximo de ciclos/hora
Hasta 5	42
5÷10	21
10÷15	14
15÷20	10
20÷25	8
25÷30	7

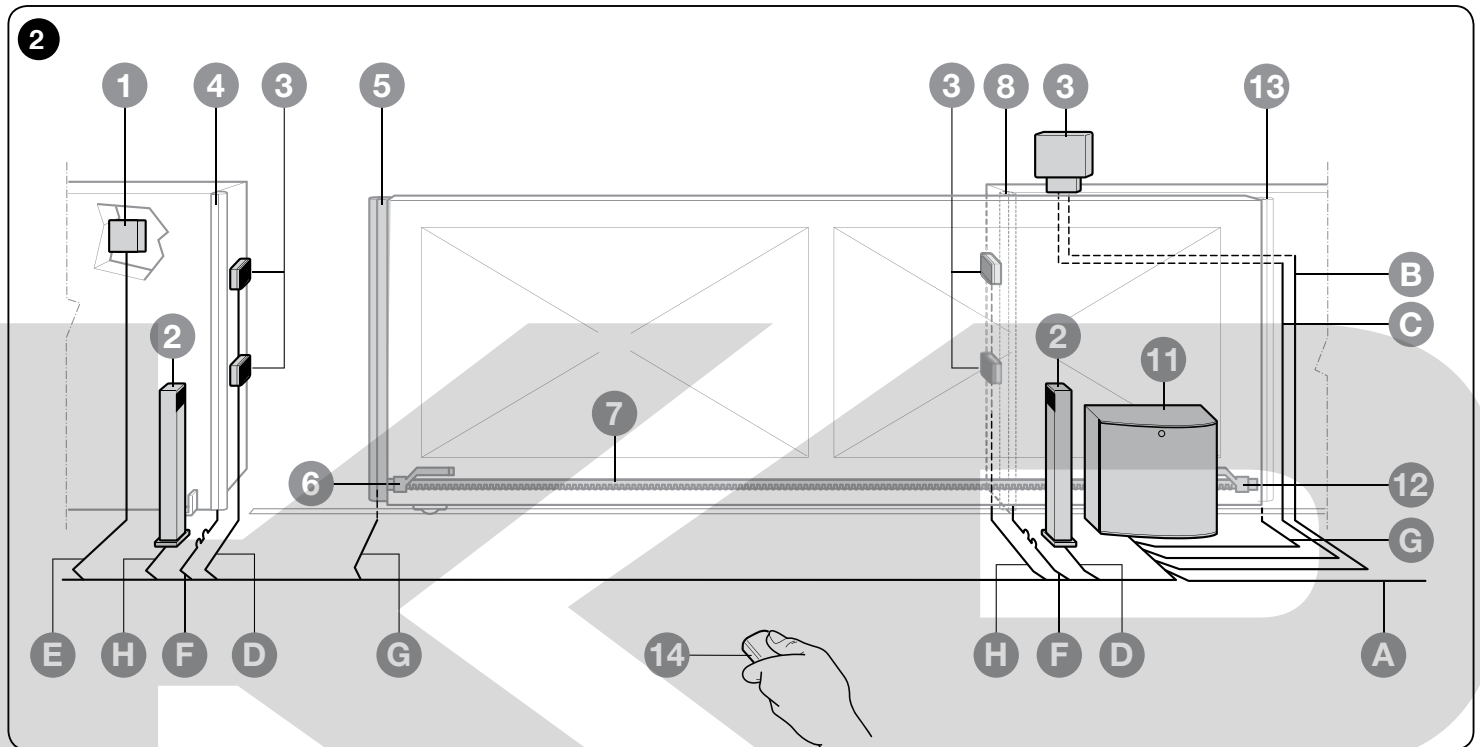
Representación gráfica de los ciclos en función de la longitud de la hoja de la cancela.



2.3 - Instalación típica

En la **fig. 2** se ilustra una instalación típica de cancela corredera automatizada con TUB4000.

- 1 Selector de llave
- 2 Fococélulas en columna
- 3 Fococélulas FOTO
- 4 Banda primaria fija (opcional)
- 5 Banda primaria móvil
- 6 Soporte de tope "Abierto"
- 7 Cremallera
- 8 Banda secundaria fija (opcional)
- 9 Intermitente
- 10 Antena
- 11 Motor
- 12 Soporte de tope "Cerrado"
- 13 Banda secundaria móvil (opcional)
- 14 Radio transmisor



2.4 - Fijación del motorreductor

Si la superficie de apoyo ya existe, el motorreductor deberá fijarse directamente sobre ella con medios adecuados; por ejemplo, con tacos de expansión.

De lo contrario, para fijar el motorreductor:

01. Excavar una cimentación de dimensiones adecuadas.
02. Disponer uno o varios tubos para el paso de los cables eléctricos como en la **fig. 5**.
03. Ensamblar las 4 zancas sobre la placa de cimentación poniendo una tuerca debajo y una sobre la placa como en la **fig. 3**, de modo que la parte roscada sobresalga lo máximo posible de la placa.
04. Efectuar la colada de hormigón y, antes del fraguado, poner la placa de cimentación; comprobar que quede paralela a la hoja y perfectamente nivelada, **fig. 5**. Esperar el fraguado total del hormigón.
05. Quitar el bastidor del motorreductor ejecutando la operación inversa a la ilustrada en la **fig. 7**.
06. Apoyar sobre la placa de cimentación el motorreductor y posicionarlo perfectamente paralelo a la hoja; fijarlo con fuerza a las 4 zancas con las 4 tuercas y las respectivas arandelas en dotación como en la **fig. 6**.
07. Desbloquear el piñón como se indica en el apartado "Desbloqueo y movimiento manual" en el capítulo "Instrucciones y advertencias para el usuario del motorreductor TUB4000"
08. Abrir la hoja completamente, apoyar sobre el piñón el primer tramo de cremallera y comprobar que el comienzo de la cremallera coincida con el comienzo de la hoja. Comprobar que entre el piñón y la cremallera haya un juego de 2÷3 mm; fijar la cremallera sobre la hoja con medios adecuados.
09. Desplazar la hoja y utilizar el piñón como referencia para fijar los otros elementos de la cremallera.
10. Cortar el último tramo de cremallera, correspondiente a la parte excedente.
11. Abrir la hoja varias veces y comprobar que la cremallera se desplace alineada sobre el piñón, con una desalineación máxima de 10-15 mm, y que en toda la longitud se respete el juego de 2-3 mm entre piñón y cremallera.
12. Fijar las bridas de los tope de "Apertura" y "Cierre" en los extremos de la cremallera como en la **fig. 4**. Considerar que cuando intervienen los tope la hoja se desplaza 2÷3 cm más; se recomienda dar a las bridas de los tope mecánicos un margen adecuado.
13. Realizar la operación inversa a aquella ejecutada en el punto 07 y bloquear el piñón.
14. Fijar el bastidor a TUB4000 como se indica en la **fig. 7** y asegurarse de que la palanca del tope situada sobre el piñón se mueva libremente.

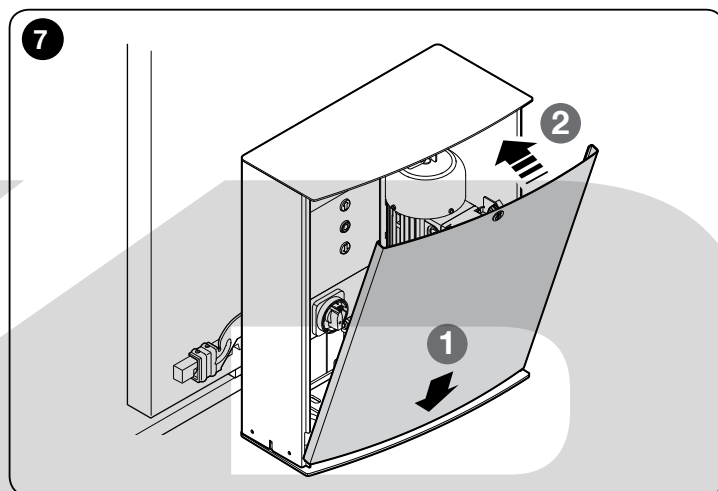
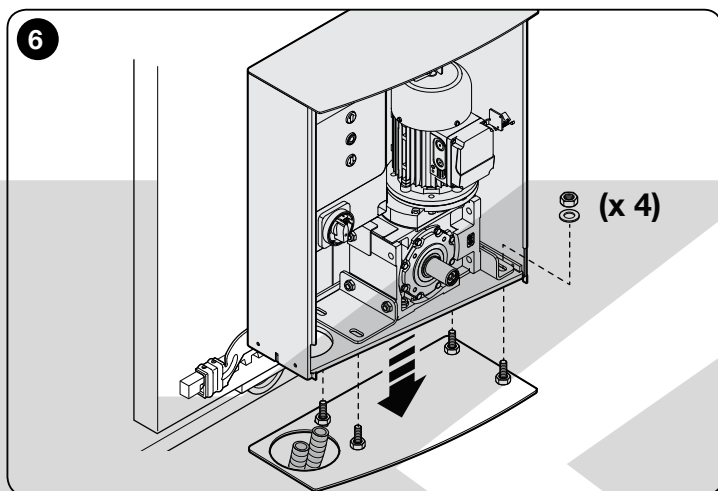
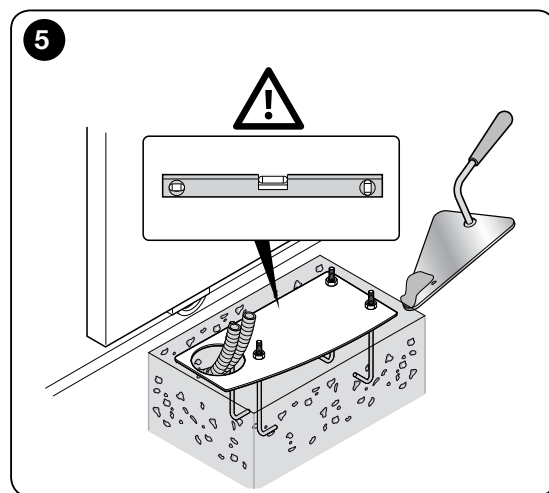
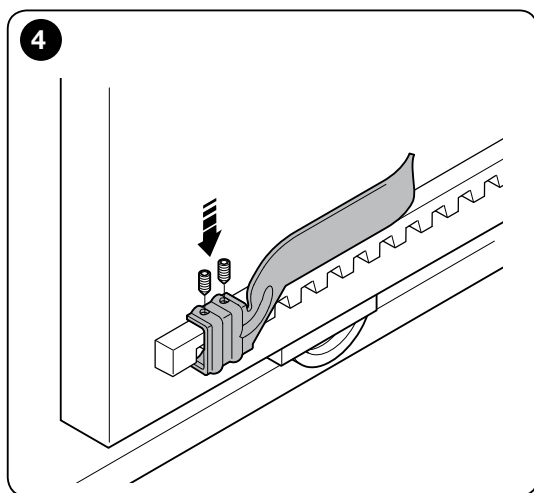
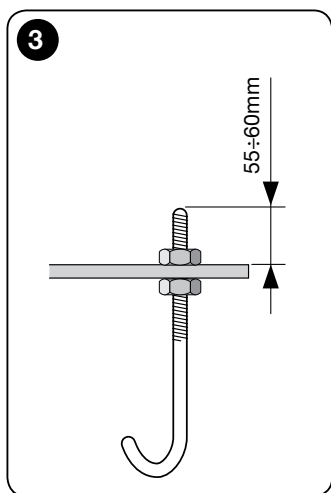
15. Cerrar la puerta del motorreductor y asegurarse de que esté accionado el microinterruptor de seguridad situado a la derecha del motor eléctrico.

▲ Para evitar que la hoja ejerza todo su peso sobre el motorreductor, es importante que entre la cremallera y el piñón haya un juego de 2÷3 mm.

2.5 - Instalación de los diferentes dispositivos en la central

Instalar todos los dispositivos siguiendo las instrucciones correspondientes. Verificar en el capítulo 7 (DPRO500) los dispositivos que pueden conectarse a TUB4000.

¡ATENCIÓN! - Todas las conexiones eléctricas deben ser efectuadas en ausencia de tensión en la instalación y por personal técnico experto y cualificado, que posea los requisitos necesarios, respetando las normas, leyes y reglamentos pertinentes.



3 CONEXIONES ELÉCTRICAS

En la instalación típica de la **fig. 3** se indican los cables necesarios para realizar las conexiones de los distintos dispositivos; en la tabla 2 se indican las características de los cables.

Los cables utilizados deben ser adecuados para el tipo de instalación; por ejemplo, se aconseja un cable tipo H05VV-F para ambientes interiores y H07RN-F para ambientes exteriores.

TABLA 2 - Características técnicas de los cables eléctricos (fig. 2)

Conexión	Tipo de cable	Longitud máxima admitida
A: Línea eléctrica de alimentación	1 cable 4 x 1,5 mm ²	30 m (nota 1)
B: Intermitente	1 cable 2 x 1mm ²	20 m (nota 7)
C: Antena	1 cable blindado tipo RG58	(aconsejado menos de 5 m)
D: Fotocélulas transmisor	1 cable 2 x 0,25 mm ²	30 m (nota 3)
E: Selector de llave	2 cables 2 x 0,25 mm ²	50 m (nota 2)
F: Bandas fijas	1 cable 2 x 0,5 mm ²	30 m (notas 4 - 6)
G: Bandas móviles	1 cable 2 x 0,5 mm ²	30 m (notas 4 - 5 - 6)
H: Fotocélulas receptor	2 cables 2 x 0,25 mm ²	30 m (notas 2 - 3)

Nota 1 – Si el cable de alimentación es más largo de 30 m, debe tener una sección más grande, por ejemplo, 4 x 2,5 mm², y será necesaria una conexión a tierra de seguridad junto a la automatización.

Nota 2 – Los dos cables de 2 x 0,25 mm² pueden reemplazarse con un solo cable de 4 x 0,25 mm².

Nota 3 – Utilizar cables blindados si la longitud supera los 30 m, conectando la funda a tierra sólo del lado de la central.

Nota 4 – En aplicaciones particulares puede ser necesario utilizar varias bandas sensibles. Si se incorpora más de una banda, ver en el manual de instrucciones el tipo de conexión recomendada.

Nota 5 – Para la conexión de las bandas sensibles montadas en los elementos móviles de las hojas correderas, hay que utilizar dispositivos oportunos que permitan la conexión también con la hoja en movimiento.

Nota 6 – El número de conductores necesarios para la conexión de las bandas móviles o fijas depende de la técnica utilizada para garantizar la categoría de seguridad requerida. El ejemplo se refiere a las bandas TCB65 conectadas a las interfaces TCE.

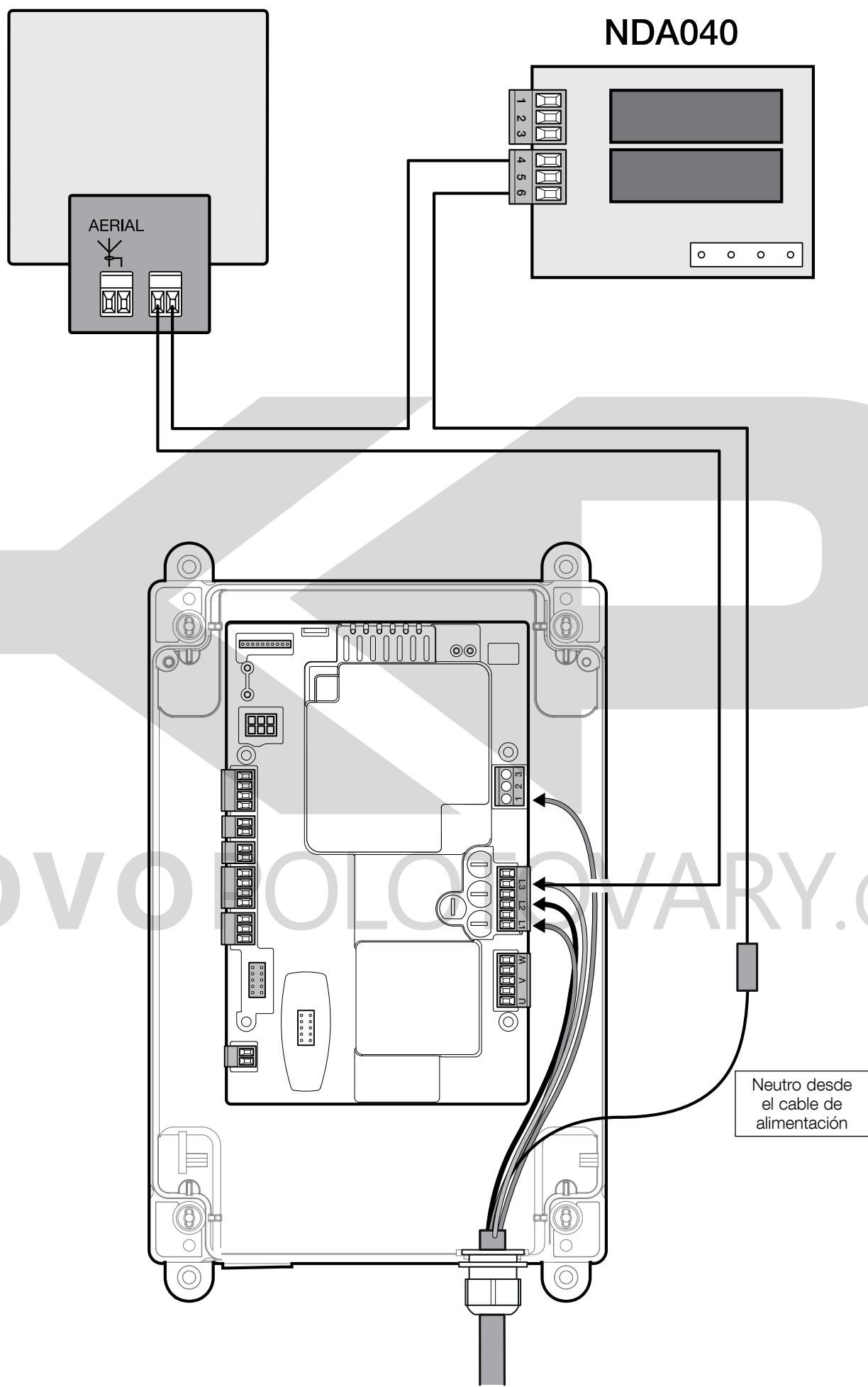
Nota 7 – Es posible conectar un intermitente a 230Vca. Para la conexión ver la fig. A.

¡ATENCIÓN! – Los cables utilizados deben adaptarse al tipo de entorno en el que se realiza la instalación.

Después de realizar las conexiones eléctricas consultar el capítulo 7 (DPRO500), donde se explican los procedimientos para el primer encendido y el reconocimiento de los dispositivos de seguridad y de los topes.

A

ES



4 PRUEBA Y PUESTA EN SERVICIO

Las fases de prueba y puesta en servicio son las más importantes durante la realización de la automatización para garantizar la máxima seguridad. El procedimiento de prueba puede llevarse a cabo para comprobar periódicamente los dispositivos que componen la automatización.

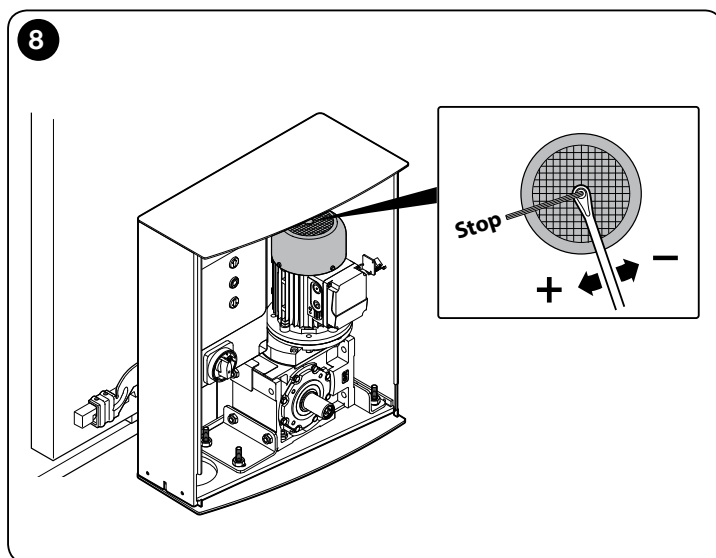
Estas fases deben ser ejecutadas por personal cualificado y experto que deberá establecer las pruebas necesarias para verificar las soluciones adoptadas contra los riesgos y deberá controlar que se respeten las leyes, normas y reglamentos, especialmente todos los requisitos de la norma EN 12445, que establece los métodos de prueba de las automatizaciones para cancelas y puertas. Los dispositivos adicionales se deben someter a pruebas específicas de funcionamiento e interacción con la central; consultar los manuales de instrucciones de los distintos dispositivos.

4.1 - Ensayo

Las operaciones de prueba descritas a continuación se refieren a una instalación típica (fig. 2):

- 1 Asegurarse de respetar estrictamente las instrucciones del capítulo "Advertencias para la instalación".
- 2 Realizar con los dispositivos de mando (transmisor, tecla de mando, selector de llave, etc.) pruebas de apertura, cierre y parada de la cancela, comprobando que el movimiento de las hojas responda a lo previsto. Conviene hacer varias pruebas para controlar el movimiento de la cancela y comprobar los posibles defectos de montaje, o de regulación, así como la presencia de puntos de fricción.
- 3 Verificar uno a uno el funcionamiento correcto de todos los dispositivos de seguridad montados en la instalación (fotocélulas, bandas sensibles, etc.).
- 4 Si las situaciones peligrosas causadas por el movimiento de las hojas se han prevenido limitando la fuerza de impacto, hay que medir la fuerza de acuerdo con la prescripción de la norma EN 12445.
- 5 Comprobar que el espacio de parada de la hoja sea de 2-3 cm; en caso contrario, regular el freno mecánico de la siguiente manera (fig. 8):
 - a. Girar en sentido horario aproximadamente media vuelta la tuerca del eje del motor;
 - b. Si media vuelta no es suficiente, girar un poco más;
 - c. Prestar atención para no apretar demasiado la tuerca, ya que podría bloquear el motor eléctrico.

⚠ Antes de regular el freno mecánico es indispensable apagar la alimentación eléctrica poniendo en "OFF" el interruptor principal de la central.



5 CENTRAL DE MANDO INCORPORADA DPRO500



⚠ ¡IMPORTANTE!
Antes de ejecutar cualquier tipo de operación o procedimiento, leer atentamente las advertencias generales (pág. 1) y los límites de empleo (apartado 6.2)

5.1 - Descripción del producto y uso previsto

La central **DPRO500** está destinada al mando de actuadores electromecánicos para la automatización de cancelas, puertas seccionales y persianas.

¡ATENCIÓN! – ¡Cualquier empleo diferente de aquel descrito y en condiciones ambientales diferentes de aquellas indicadas en este manual debe considerarse inadecuado y prohibido!

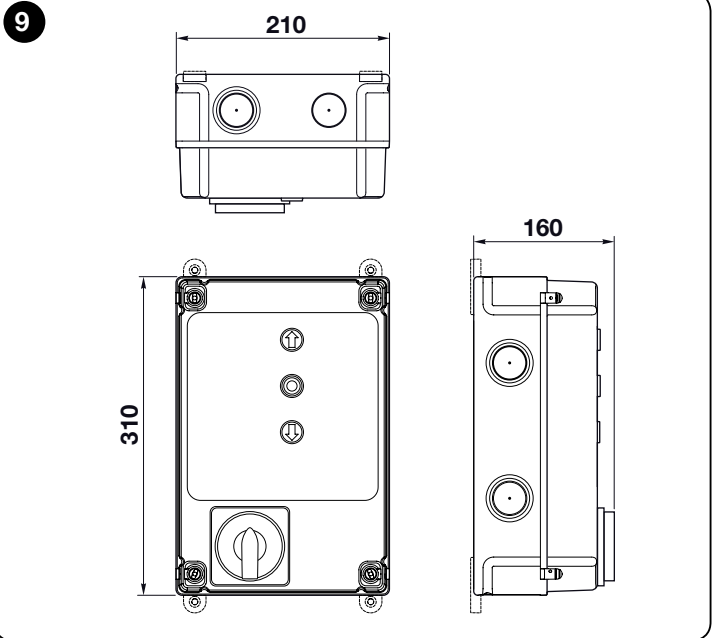
La central de mando se puede conectar a todos los elementos de seguridad comunes. Para la apertura y el cierre de una cancela es suficiente accionar la tecla correspondiente en la tapa o la tecla externa o utilizar el radioreceptor.

6 INSTALACIÓN

6.1 - Controles preliminares a la instalación

Antes de proceder con la instalación, compruebe que los componentes del producto estén íntegros, que el modelo corresponda con el pedido y que sea idóneo para el entorno en el cual debe ser instalado:

- Compruebe que todo el material que se vaya a utilizar esté en perfectas condiciones y que sea apto para el uso previsto.
- Compruebe que todas las condiciones de uso estén dentro de los límites de empleo del producto (apartado 6.2) y de los valores indicados en "Características técnicas del producto".
- Compruebe que el ambiente de instalación sea compatible con el espacio total ocupado por el producto (**fig. 9**).
- Compruebe que las superficies de instalación sean firmes y garanticen una fijación segura.
- Compruebe que la zona de fijación no esté sujeta a inundaciones; en todo caso, haga una instalación levantada del suelo.
- Compruebe que el espacio alrededor del producto permita un acceso fácil y seguro.
- Compruebe que todos los cables eléctricos sean del tipo indicado en la tabla 1.
- Compruebe que en la automatización estén presentes los topes mecánicos de cierre y apertura.



6.2 - Límites de empleo del producto

El producto se puede utilizar sólo como se indica en la tabla siguiente:

Alimentación central	Tipo de motor*
Trifásica 3x400 Vca - 50/60Hz	Trifásica 3x400 Vca - 50/60 Hz con encoder Nice o topes mecánicos
Monofásica 1x230 Vca - 50/60Hz	Monofásica 1x230 Vca - 50/60 Hz con encoder Nice o topes mecánicos

(* De conformidad con los límites de empleo.

Para los motores monofásicos ver el apartado 7.2.

⚠ ¡ATENCIÓN! – La central de mando descrita en este manual de instrucciones no se puede utilizar en zonas con riesgo de explosión.

Importante – Antes de realizar la instalación, prepare los cables eléctricos necesarios para el sistema, tomando como referencia la "Tabla 1 - Características técnicas de los cables eléctricos".

⚠ ¡Atención! – Durante la colocación en obra de los tubos para el paso de los cables eléctricos y la entrada de los cables en la caja de la central, considerar que, a causa de posibles depósitos de agua en los pozos de derivación, los tubos de conexión pueden crear dentro de la central fenómenos de condensación que pueden dañar los circuitos electrónicos.

6.3 - Instalación de la central de mando

Para la fijación de la central de mando, proceder de la siguiente manera:

- 01. Abrir la caja de la central:** desenroscar los tornillos como muestra la **fig. 10-A / fig. 10-B**;
- 02.** Preparar los orificios para el paso de los cables eléctricos de los accesorios de mando y/o señalización. Para garantizar el mantenimiento del grado de protección IP se recomienda utilizar una herramienta (por ejemplo una fresa de disco) en las posiciones predispuestas en la parte inferior de

TABLA 1 - Características técnicas de los cables eléctricos (fig. 2)

Conexión	Tipo de cable	Longitud máxima admitida
Cable ALIMENTACIÓN CENTRAL DE MANDO - trifásica - monofásica	4 x 1 mm ² 3 x 0,75 mm ²	5 m (nota 1) 2 m (nota 1)
Cable MOTOR	para motorreductores Nice, cables dedicados, en venta como accesorios. para otras marcas, consultar con el fabricante del motorreductor	5 - 7 - 11 m
Cable INTERMITENTE con antena	2 x 1 mm ² (para intermitente 230Vca) cable blindado tipo RG58 (para antena)	10 m
Cable FOTOCÉLULAS	4 x 0,5 mm ²	10 m
Cable SELECTOR DE LLAVE	2 cables 2 x 0,25 mm ²	10 m (nota 2)
Cable ESPIRALADO para banda sensible	cable espiralado NICE disponible como accesorio	50 m

Nota 1 – Si el cable de alimentación supera la longitud máxima permitida es necesario utilizar un cable de sección mayor

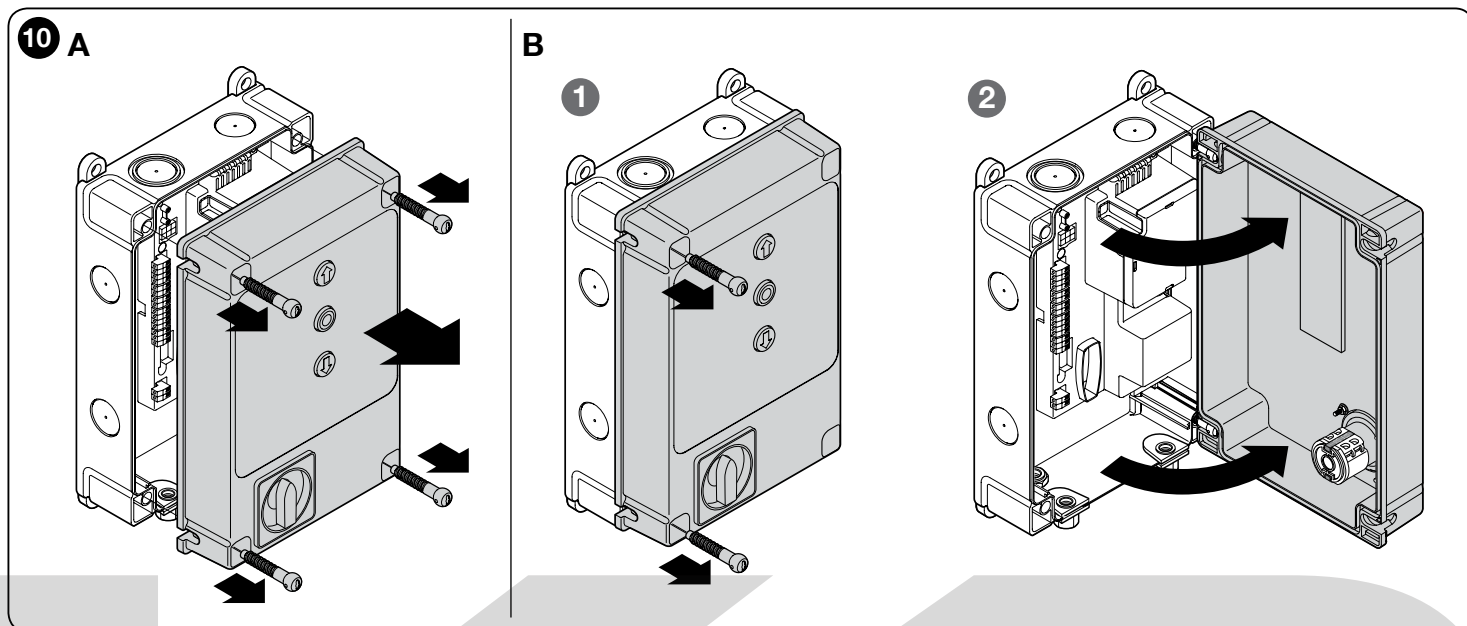
Nota 2 – Estos 2 cables se pueden sustituir con 1 único cable de 4 x 0,5 mm².

¡ATENCIÓN! – Los cables utilizados deben adaptarse al tipo de entorno en el que se realiza la instalación.

la caja. Si es necesario, se pueden utilizar las entradas de cables laterales, pero sólo con empalmes adecuados;

03. Ahora es posible realizar todas las conexiones eléctricas: consultar el capítulo 7.

Para realizar la instalación de los otros dispositivos de la automatización consultar los manuales de instrucciones correspondientes.



7 CONEXIONES ELÉCTRICAS

¡ATENCIÓN!

- Todas las conexiones eléctricas deben efectuarse en ausencia de alimentación eléctrica.

- Las operaciones de conexión deben ser ejecutadas por personal cualificado.

- En la línea eléctrica de alimentación es necesario instalar un dispositivo que asegure la desconexión completa de la automatización de la red. Este dispositivo debe estar provisto de contactos que tengan una distancia de apertura que permita la desconexión completa, según las condiciones descritas en la categoría de sobretensión III, de conformidad con las normas de instalación. En caso de necesidad, este dispositivo garantiza una desconexión rápida y segura de la alimentación; por lo tanto, debe montarse en una posición de la automatización que esté a la vista. Por el contrario, si se lo monta en una posición no visible, hay que instalar un sistema que bloquee una conexión accidental o no autorizada de la alimentación, a fin de evitar cualquier situación peligrosa. El dispositivo de desconexión no se suministra junto con el producto.

- Selección de la tensión de alimentación:

La central puede funcionar correctamente en alimentación trifásica o monofásica (ver esquemas de conexión) con tensiones de 400V o 230V.

La configuración predeterminada es para una tensión de alimentación trifásica 400V.

Para seleccionar la alimentación monofásica 230V seguir las instrucciones del capítulo 7.2

7.1 - Conexión del cable de alimentación trifásica

Para realizar la conexión eléctrica consultar la **fig. 11**.

A los bornes L1, L2, L3 y al borne PE se conecta una clavija CEE de 16A.

7.2 - Conexión del cable de alimentación monofásica

Para realizar la conexión eléctrica consultar la **fig. 12**.

A los bornes L1, L3 y al borne PE se conecta una clavija Schuko.

7.3 - Cambio de alimentación mediante jumper

La alimentación de la central se puede modificar mediante jumper de la siguiente manera (**fig. 13**)

01. Quitar la tapa superior

02. Extraer el jumper (posición predeterminada 3x400V) mediante una pinza con picos

03. Colocar el jumper (1x230V)

04. Colocar la tapa superior

7.4 - Descripción de las conexiones eléctricas (**fig. 14**): alimentación, dispositivos de seguridad, mando y accesorios

En las entradas 8, 9, 10, 11 es posible conectar dispositivos de mando con contactos de tipo "Normalmente Abierto" (NA) o "Normalmente Cerrado" (NC). Es posible utilizar una de estas entradas o una combinación entre ellas, ade-

más de las entradas STOP, para conectar, por ejemplo, una botonera externa o un interruptor con cable conectado al techo.

PUSH BUTTONS - entrada para la conexión de la botonera de la tapa de la caja.

ENCODER - entrada para la conexión del cableado del tope electrónico (encoder Nice). No utilizable en esta versión.

COMMON (8) - entrada a 24 Vcc común para las entradas OPEN, CLOSE e ING1 y positivo para la tensión a los servicios.

OPEN (9) - entrada para dispositivos que accionan el movimiento sólo de apertura; es posible conectar contactos de tipo "Normalmente Abierto".

CLOSE (10) - entrada para dispositivos que accionan el movimiento sólo de cierre; es posible conectar contactos de tipo "Normalmente Abierto".

ENT1-photo- (11) - entrada Normalmente Cerrada (NC) para dispositivos que accionan el movimiento de la automatización. Si esta entrada se programa con el programador Nice Oview, es posible obtener los siguientes modos de funcionamiento:

- Paso-paso
- Apertura parcial
- Abrir
- Cerrar
- Foto (default)
- Foto 1
- Stop en apertura
- Stop en cierre

Consultar las instrucciones de programación y la descripción de las funciones disponibles en las fichas Oview para DPRO500.

STOP - entrada para dispositivos que detienen el movimiento en curso; conectar contactos de tipo "Normalmente Cerrado".

SAFE - entrada para la conexión del dispositivo de protección térmica del motor. **¡ATENCIÓN!** - Se utiliza sólo para los motores con topes mecánicos. Dejar "no conectado" en los motores con tope electrónico.

LIMIT SWITCH - entrada para la conexión de los topes mecánicos.

- (1) Común topes
- (2) fc abre
- (3) pre-tope cierra
- (4) fc cierra

STOP - entrada para la conexión de bandas sensibles resistivas (8k2) u ópticas (OSE), como se ilustra a continuación (**fig. 15**):

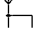
Conexión OSE:

- 5 → positivo 12Vcc (+) (conductores marrones)
- 6 → señal (S) (conductores verdes)
- 7 → negativo GND (-) (conductores blancos)

Conexión 8k2:

- Conectar la resistencia de 8,2 kΩ entre los bornes 6 (señal - S) y 7 (negativo - GND)

IBT4N - entrada para la conexión del programador Oview con el adaptador IBT4N. **ATENCIÓN** - desconectar la alimentación antes de conectar/desconectar el programador.

ANTENA  - entrada de conexión de la antena para radioreceptor (nota: la antena está incorporada en los intermitentes Nice LUCY B, MBL, MLBT).

OUT (CONECTOR PARA NDA040) - conector para tarjeta suplementaria NDA040 que añade dos salidas de contactos limpios. Estas salidas se pueden programar con el programador Nice Oview. Consultar las instrucciones de programación y la descripción de las funciones disponibles en el manual de la tarjeta suplementaria NDA040.

MOTOR - salida para la conexión del motor trifásico o monofásico.


Para motores monofásicos:

- U - común
- V - abre
- W - cierra

LINE - entrada para la conexión de la alimentación eléctrica.

L1-L2-L3: conexión TRIFÁSICA

L1-L3: conexión MONOFÁSICA

 **PE** - entrada para la conexión de tierra para la central de mando y los motores.

¡IMPORTANTE!

Se recomienda **NO** conectar dispositivos o accesorios no expresamente indicados en este manual de instrucciones.

El fabricante no se hace responsable de los daños que pueden ocasionarse al utilizar los distintos dispositivos del sistema de manera inadecuada y no conforme a lo indicado en este manual de instrucciones.

Para más información dirigirse al servicio de asistencia Nice.

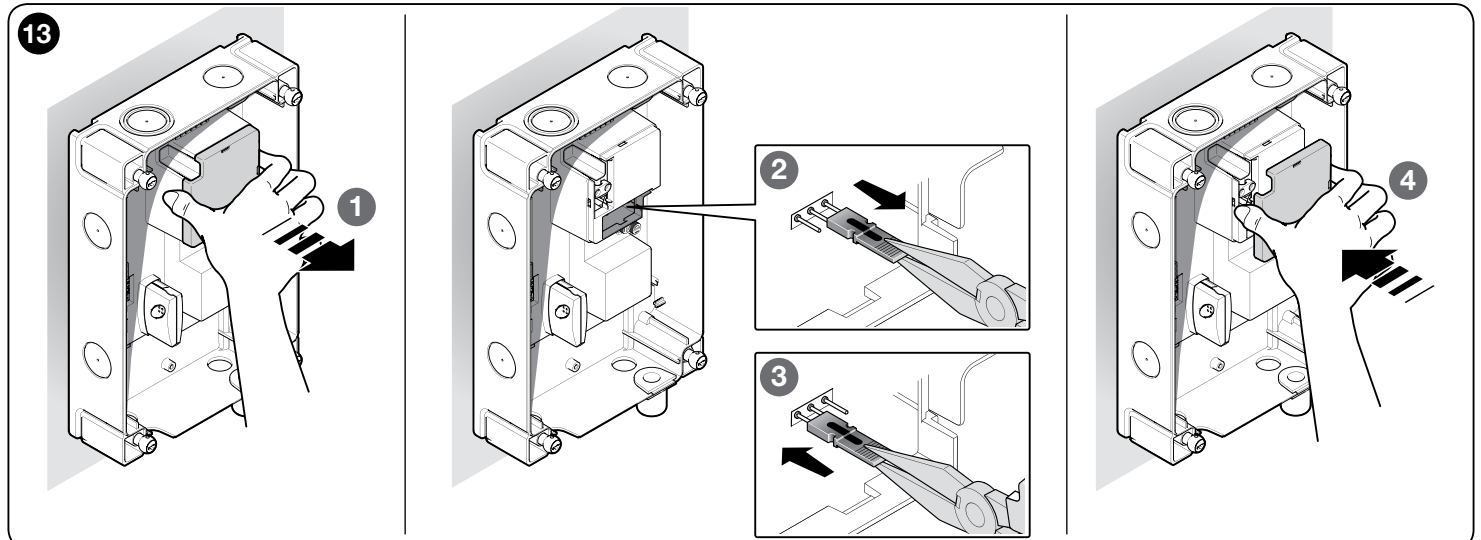
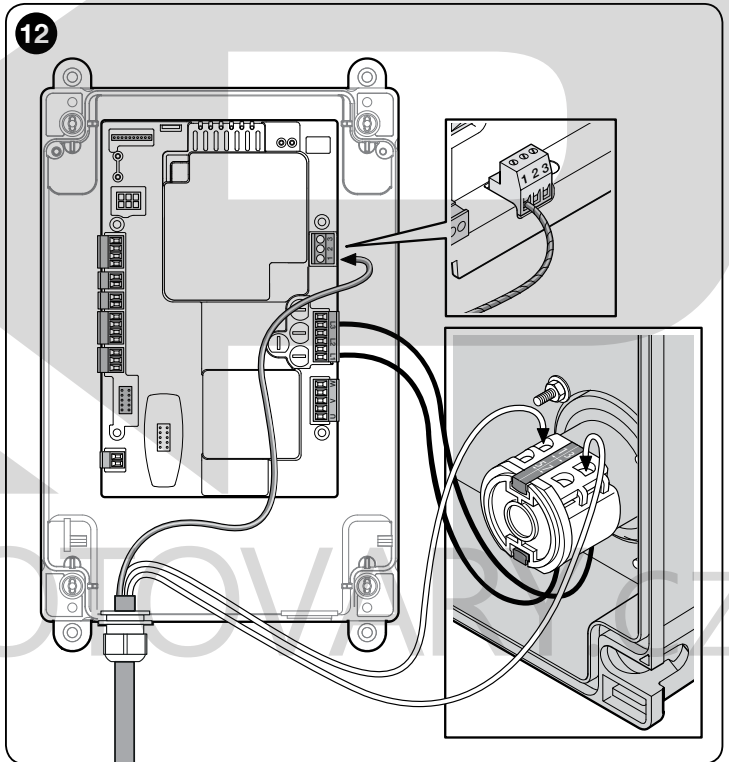
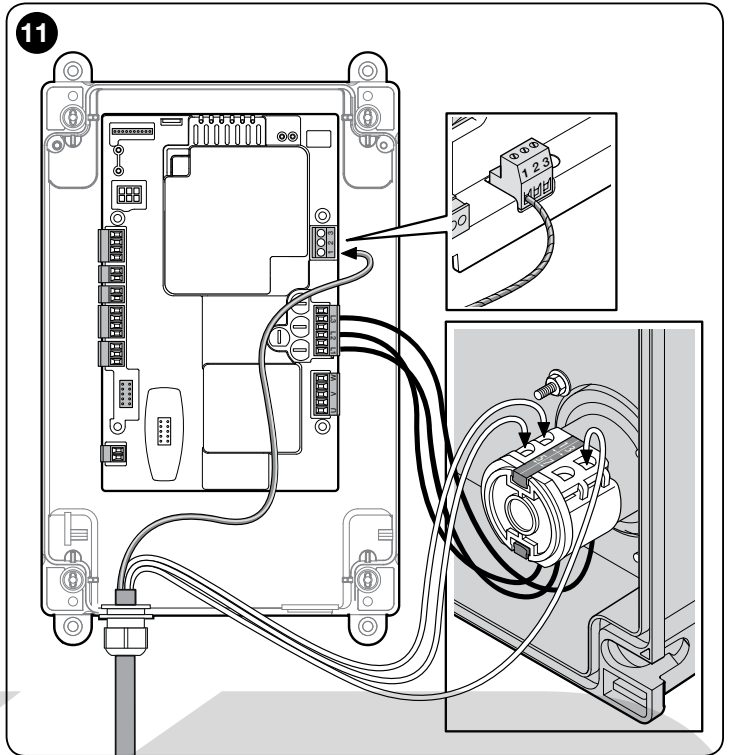
7.5 - Conexiones eléctricas de la central de mando



¡ATENCIÓN! - Todas las conexiones eléctricas deben efectuarse en ausencia de alimentación eléctrica de red.

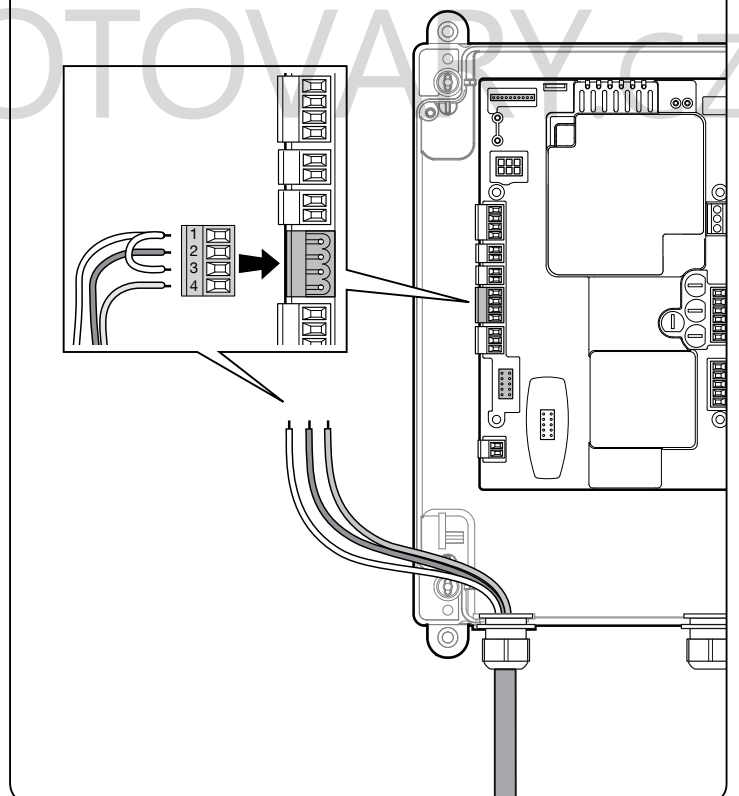
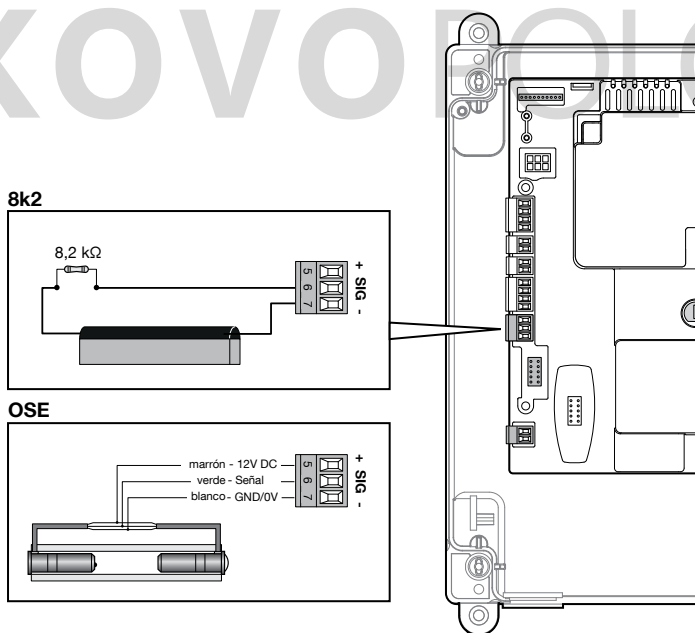
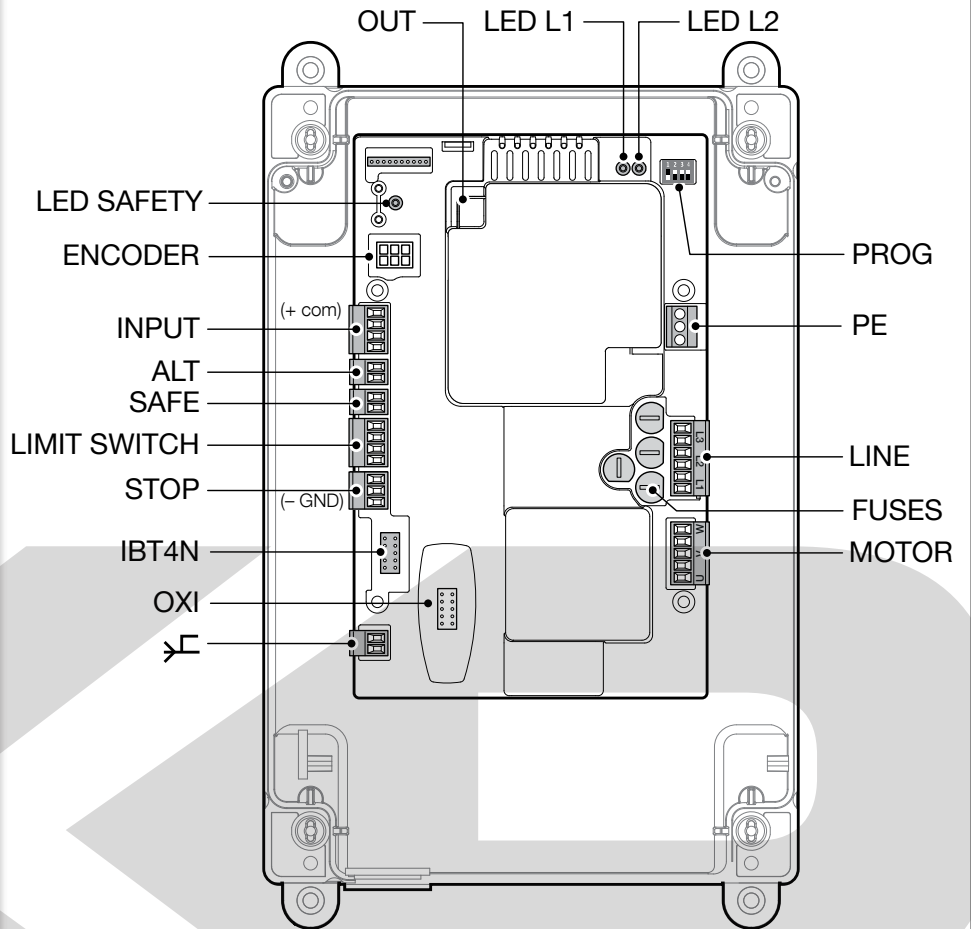
Después de fijar la caja de la central de mando y preparar los orificios para el paso de los cables eléctricos (ver el apartado 6.3), realizar las conexiones eléctricas de la siguiente manera:

- 01.** Conectar primero el cable de alimentación eléctrica:
 - para la línea **trifásica** ver el apartado 7.1 y la **fig. 11**
 - para la línea **monofásica** ver el apartado 7.2 y la **fig. 12**
- 02.** Luego conectar el cable eléctrico proveniente del motor:
 - Motor con tope mecánico (**fig. 16**)
- 03.** Por último, conectar los cables eléctricos de los accesorios consultando la **fig. 13** y el apartado 7.3.

Nota - Para facilitar las conexiones de los cables es posible extraer los bornes de sus alojamientos.



LED SAFETY	= LED cadena de seguridad
LED L2	= LED OK (verde)
LED L1	= LED Advertencia (rojo)
OUT	= ranura para introducir tarjeta suplementaria NDA040 expansión salidas
PROG	= Microinterruptor para programación
ENCODER	= tope electrónico
INPUT	= entradas externas (Común, Abre, Cierra, Ent1(PHOTO) 8 - com (+24Vcc común) 9 - open (Abrir) 10 - close (Cerrar) 11 - photo (ing1)
ALT	= borne STOP
SAFE	= sólo para los motores con topes mecánicos (dejar sin conectar en los motores con tope electrónico)
LIMIT SWITCH	= tope mecánico
STOP	= borne STOP utilizado para banda de seguridad 8K2 o OSE 5 - positivo (+) banda sensible 6 - señal banda sensible 7 - negativo GND (-)
IBT4N	= conector para interfaz IBT4N (no suministrado)
OXI	= conector para la conexión de radioreceptores con conexión SM (SMXI/OXI)
	= antena
	= conexión de puesta a tierra
LINE	= conector para la conexión de la línea de alimentación trifásica o monofásica
FUSES	= F1, F2, F3, F4: ver las características técnicas
MOTOR	= motor



7.6 - Entrada STOP SAFETY EDGE

La función de la entrada SAFETY EDGE es provocar la parada inmediata del movimiento, seguida de una breve inversión.

En esta entrada se pueden conectar dispositivos como bandas sensibles ópticas (OSE) o con salida de resistencia constante 8.2 kΩ.

Durante el procedimiento de adquisición la central reconoce el tipo de dispositivo conectado y provoca un "STOP" cuando se produce cualquier variación respecto del estado reconocido.

Adoptando las soluciones del caso, es posible conectar a la entrada STOP SAFETY EDGE varios dispositivos, incluso de diferentes tipos:

- dispositivos NA: conectar la resistencia de 8.2 kΩ en paralelo al dispositivo;
- dispositivos NC: conectar la resistencia de 8.2 kΩ en serie al dispositivo;
- es posible conectar en serie entre sí varios dispositivos NC, sin límites de cantidad;
- si hay varios dispositivos, todos deben estar conectados "en cascada" con una sola resistencia de terminación de 8.2 kΩ;
- es posible crear también una combinación de tipo NA y NC, poniendo los dos contactos "en paralelo". En este caso, hay que poner "en serie" al contacto NC una resistencia de 8.2 kΩ; esto permite incluso la combinación de tres dispositivos: NA, NC y 8.2 kΩ.

7.7 - Conexión de un radioreceptor

La central de mando presenta un conector tipo SM para la conexión de un radioreceptor (accesorio opcional, no suministrado) modelo SMXI, SMXIS, OXI o OXIT o similares.

Para activar el radioreceptor hay que desconectar la alimentación eléctrica de red a la central y activar el receptor como muestra la **fig. 17**.

En la Tabla 2 se indican las acciones ejecutadas por la central de mando en función de las salidas activadas o por los mandos enviados por el radioreceptor.

Nota - Para más información, consultar el manual de instrucciones del receptor.

TABLA 2

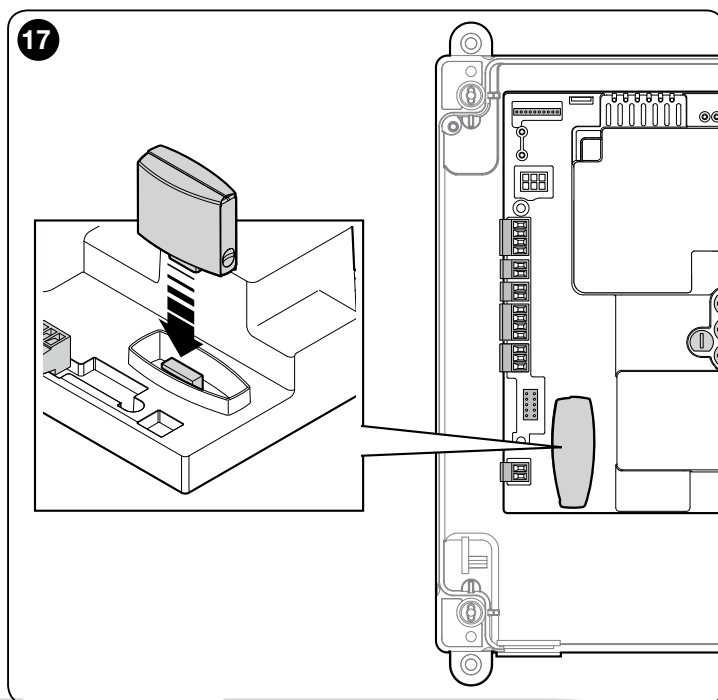
Receptor SMXI, SMXIS en "Modo 1 o 2"	
salida	descripción
Salida N°1	Paso a paso
Salida N°2	Abre parcial; valor de fábrica: abre mitad de la carrera (se puede modificar durante la fase de adquisición de las medidas o utilizando el programador Oview)
Salida N°3	Abrir
Salida N°4	Cerrar
Receptor OXI, OXIT programado en "Modo 2 extendido"	
mando	descripción
Mando n°1	Paso a paso
Mando n°2	Abre parcial; valor de fábrica: abre mitad de la carrera (se puede modificar durante la fase de adquisición de las medidas o utilizando el programador Oview)
Mando n°3	Abrir
Mando n°4	Cerrar
Mando n°5	Stop
Mando n°6	Paso a paso Condominio
Mando n°7	Paso a paso Alta prioridad
Mando n°8	Abrir parcial 2
Mando n°9	Abrir parcial 3
Mando n°10	Abre y bloquea automatización
Mando n°11	Cierra y bloquea automatización
Mando n°12	Bloquea automatización
Mando n°13	Desbloquea automatización
Mando n°14	Luz de cortesía Timer
Mando n°15	Luz de cortesía ON/OFF

7.8 - Primer encendido y control de las conexiones

Después de activar la alimentación eléctrica a la central de mando, realizar las siguientes verificaciones:

- Comprobar que el led verde L2 (al lado de los microinterruptores) parpadee regularmente cada 1 segundo.
- Si en la instalación hay fotocélulas, comprobar que sus led (RX) parpadeen; el tipo de parpadeo no es significativo porque depende de otros factores.
- Comprobar que el led SAFETY rojo al lado del conector del cable del teclado esté encendido permanentemente (ver Tabla diagnóstico Led Safety apartado 10.2).

Si no se cumple alguna de estas condiciones, es necesario desactivar la



alimentación eléctrica a la central y verificar las conexiones eléctricas que se realizaron anteriormente.

7.9 - Borrado total de la memoria de la central de mando

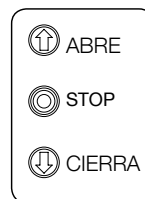
En la central de mando es posible borrar todos los datos memorizados y llevarla a su estado inicial, con los valores de fábrica.

01. Poner los microinterruptores 1-2-3-4 en ON = los led verde y rojo empiezan a parpadear rápidamente
02. Pulsar la tecla STOP 3 segundos hasta que los led verde y rojo queden encendidos de manera fija
03. Soltar la tecla STOP
04. La central ejecuta un RESET = los led verde y rojo empiezan a parpadear rápidamente
05. Poner los microinterruptores 1-2-3-4 en OFF

7.10 - Adquisición de los dispositivos de seguridad y de las posiciones de Apertura y Cierre

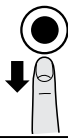
Después del primer encendido (apartado 7.8), antes de seleccionar las posiciones de Apertura y Cierre de la cancela, es necesario hacer reconocer a la central de mando los dispositivos conectados a la entrada "STOP Safety Edge".

¡ATENCIÓN! - Durante la fase de adquisición debe haber al menos un dispositivo de seguridad conectado a la central de mando.



01. Poner el microinterruptor 1 en ON =
- El led verde empieza a parpadear rápidamente
- El led rojo permanece apagado
02. Pulsar la tecla STOP (aprox. 3 s) hasta que el led rojo quede encendido de manera fija

03. Soltar la tecla STOP



Este procedimiento se debe repetir si se hacen cambios en los dispositivos conectados al borne "STOP Safety Edge" (por ejemplo, después de conectar un nuevo dispositivo a la central de mando).

Una vez adquiridos los dispositivos de seguridad de la automatización, es necesario hacer reconocer a la central las posiciones de Apertura y Cierre de la cancela.

¡ATENCIÓN! - El procedimiento de adquisición de los dispositivos de seguridad y de las posiciones de Apertura y Cierre de la cancela, debe ejecutarse a continuación, sin interrupciones. No es posible ejecutar el procedimiento de adquisición de los dispositivos de seguridad separadamente del de adquisición de las posiciones.

7.10.1 - Adquisición de las posiciones de Apertura y Cierre con tope mecánico

Es posible programar 2 posiciones, como se describe a continuación:

Posición	Significado
Apertura	Medida de máxima apertura. Cuando la cancela llega a esta posición, se detiene.
Cierre	Medida de máximo cierre. Cuando la cancela llega a esta posición, se detiene.

¡Atención! - Si el sentido de rotación no corresponde a la dirección programada (tecla Open = dirección apertura), es necesario invertir las conexiones "V" y "W" (inversión de fase) en el conector del motor (fig. 18).

Para ejecutar el procedimiento es necesario realizar las siguientes operaciones:

01.	Poner el microinterruptor 1 en OFF	
02.	Pulsar la tecla "Abrir" para llevar la cancela a la posición de máxima apertura	
03.	Pulsar la tecla "Cerrar" para llevar la cancela a la posición de máximo cierre	

¡ATENCIÓN! - Las fases de adquisición no se deben interrumpir. De lo contrario, hay que repetir todo el procedimiento. Si al terminar la adquisición el led rojo parpadea 9 veces-pausa-9 veces, hay un error.

Si parpadea 3 veces-pausa-3 veces, resetear el error pulsando la tecla STOP e invertir la conexión del tope de apertura con la de cierre en el borne LIMIT SWITCH (fig. 14).

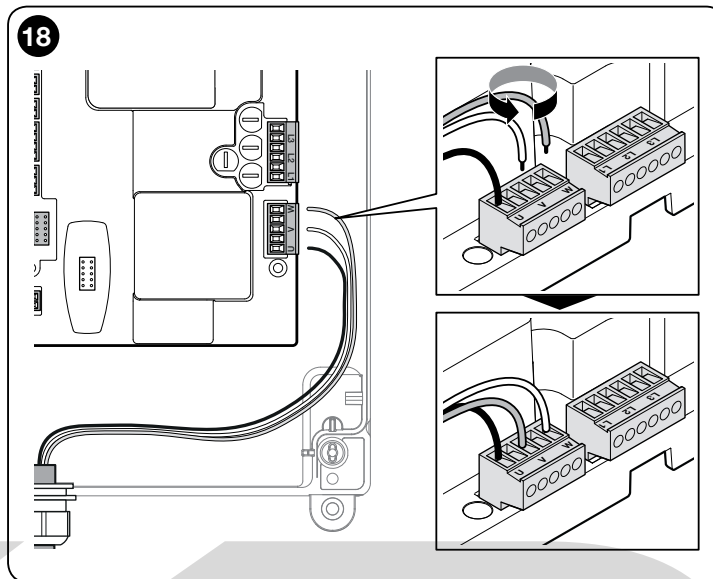
La fase de adquisición de las posiciones puede repetirse en cualquier momento incluso después de la instalación.

7.11 - Modos de funcionamiento

¡ATENCIÓN! - Si las funciones de la tabla 3 se programan con el programador Oview, es necesario poner los microinterruptores en OFF.

TABLA 3				
DIP1	DIP2	DIP3	DIP4	Función
OFF	OFF	OFF	OFF	Movimiento hombre presente
ON	x	OFF	OFF	Adquisición de distancias y estado de la entrada STOP
OFF	ON	OFF	OFF	Sentido de rotación encoder invertido
OFF	x	OFF	ON	Modo Industrial (abre semiautomático - cierra hombre presente), si las distancias han sido adquiridas
OFF	x	ON	OFF	Modo semiautomático, si las distancias han sido adquiridas

OFF	x	ON	ON	Modo automático con tiempo de pausa programable, si las distancias han sido adquiridas (para la memorización del tiempo de pausa ver la sección 10.1.2 "Otras funciones")
-----	---	----	----	---



7.12 - Unidad de programación Oview

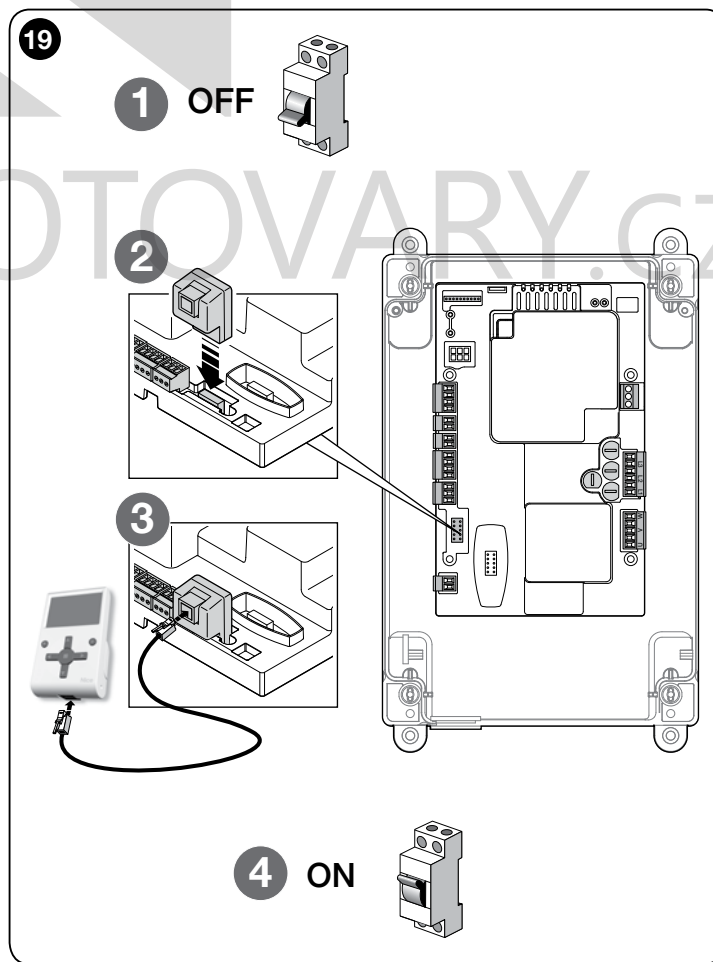
El uso de la unidad de programación Oview permite una gestión rápida y completa de la fase de instalación, mantenimiento y diagnóstico de toda la automatización.

Es posible conectar Oview a la central mediante la interfaz IBT4N utilizando un cable bus con 4 conductores eléctricos.

Para acceder al conector BusT4, es necesario abrir la caja de la central e introducir el conector IBT4N en el alojamiento correspondiente y luego conectar el programador Oview (fig. 19).

Oview puede utilizarse a una distancia de la central equivalente a un máximo de 100 m de cable; puede conectarse simultáneamente a varias centrales (hasta 16) y puede quedar conectado incluso durante el funcionamiento normal de la automatización. Para operar con Oview, es muy importante observar las advertencias contenidas en el manual de instrucciones de Oview.

Si en la central de mando hay un radioreceptor de la serie OXI, utilizando



Oview es posible acceder a los parámetros de los transmisores memorizados en el receptor. Para más información consultar el manual de instrucciones Oview o la ficha de las funciones de la central disponible en el sitio www.niceforyou.com

¡ATENCIÓN! - Si las funciones de la tabla 3 se programan con el programador Oview, es necesario poner los microinterruptores en OFF.
¡ATENCIÓN! - Si las funciones de la tabla 3 se programan con el programador Oview, es necesario poner los microinterruptores en OFF.

8 PRUEBA Y PUESTA EN SERVICIO

Las fases de prueba y puesta en servicio son las más importantes durante la realización de la automatización para garantizar la máxima seguridad. El procedimiento de prueba puede llevarse a cabo para comprobar periódicamente los dispositivos que componen la automatización.

Estas fases deben ser ejecutadas por personal cualificado y experto que deberá establecer las pruebas necesarias para verificar las soluciones adoptadas contra los riesgos y deberá controlar que se respeten las leyes, normas y reglamentos, especialmente todos los requisitos de la norma EN 12445, que establece los métodos de prueba de las automatizaciones para cancelas y puertas. Los dispositivos adicionales se deben someter a pruebas específicas de funcionamiento e interacción con la central; consultar los manuales de instrucciones de los distintos dispositivos.

8.1 - Ensayo

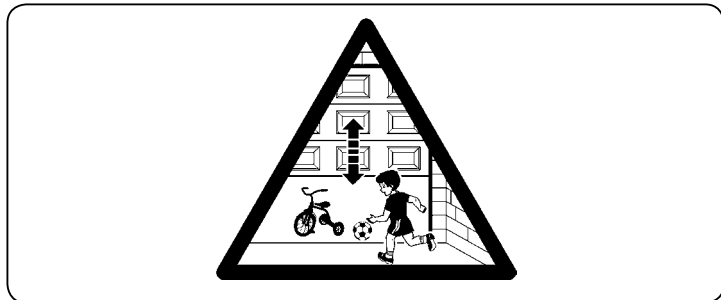
Las operaciones de prueba descritas a continuación se refieren a una instalación típica:

- 1 Asegurarse de respetar estrictamente las instrucciones del capítulo "Advertencias para la instalación".
- 2 Desbloquear el motor. Comprobar que la cancela se pueda abrir y cerrar manualmente con una fuerza no superior a 225N.
- 3 Bloquear el motor.
- 4 Realizar con los dispositivos de mando (transmisor, tecla de mando, selector de llave, etc.) pruebas de apertura, cierre y parada de la cancela, comprobando que el movimiento de las hojas responda a lo previsto. Conviene hacer varias pruebas para controlar el movimiento de la cancela y comprobar los posibles defectos de montaje, o de regulación, así como la presencia de puntos de fricción.
- 5 Verificar uno a uno el funcionamiento correcto de todos los dispositivos de seguridad montados en la instalación (fotocélulas, bandas sensibles, etc.).
- 6 Si las situaciones peligrosas causadas por el movimiento de las hojas se han prevenido limitando la fuerza de impacto, hay que medir la fuerza de acuerdo con la prescripción de la norma EN 12445.

8.2 - Puesta en servicio

La puesta en servicio puede llevarse a cabo sólo después de haber efectuado correctamente todas las etapas de prueba (apartado 8.1) de la central de mando y de los otros dispositivos. **Está prohibida la puesta en servicio parcial o en situaciones "precarias"**.

- 1 Realice y conserve durante al menos 10 años el expediente técnico de la automatización, que deberá incluir como mínimo: dibujo de conjunto de la automatización, esquema de las conexiones eléctricas, análisis de los riesgos y soluciones adoptadas, declaración de conformidad del fabricante de todos los dispositivos utilizados (para la central utilice la Declaración de conformidad CE adjunta); copia del manual de instrucciones de uso y del plan de mantenimiento de la automatización.
- 2 Aplique sobre la cancela una placa con los siguientes datos: tipo de automatización, nombre y dirección del fabricante (responsable de la "puesta en servicio"), número de serie, año de fabricación y marca "CE".
- 3 Aplique de forma permanente sobre la cancela una etiqueta o una placa que indique las operaciones para el desbloqueo y la maniobra manual
- 4 Aplique de forma permanente sobre la cancela una etiqueta o una placa con esta imagen (altura mínima 60 mm).



- 5 Prepare y entregue al propietario la declaración de conformidad de la automatización.
- 6 Prepare y entregue al propietario el "Manual de instrucciones y advertencias para el uso de la automatización".
- 7 Prepare y entregue al propietario el plan de mantenimiento (con las prescripciones sobre el mantenimiento de todos los dispositivos).

9 INSTALACIÓN Y CONEXIÓN ELÉCTRICA DE DOS CENTRALES PARA EL FUNCIONAMIENTO CON HOJAS CONTRAPUESTAS

Para realizar una automatización compuesta por dos hojas que se mueven de manera contrapuesta, es necesario utilizar dos centrales conectadas como indica la **fig. 20**.

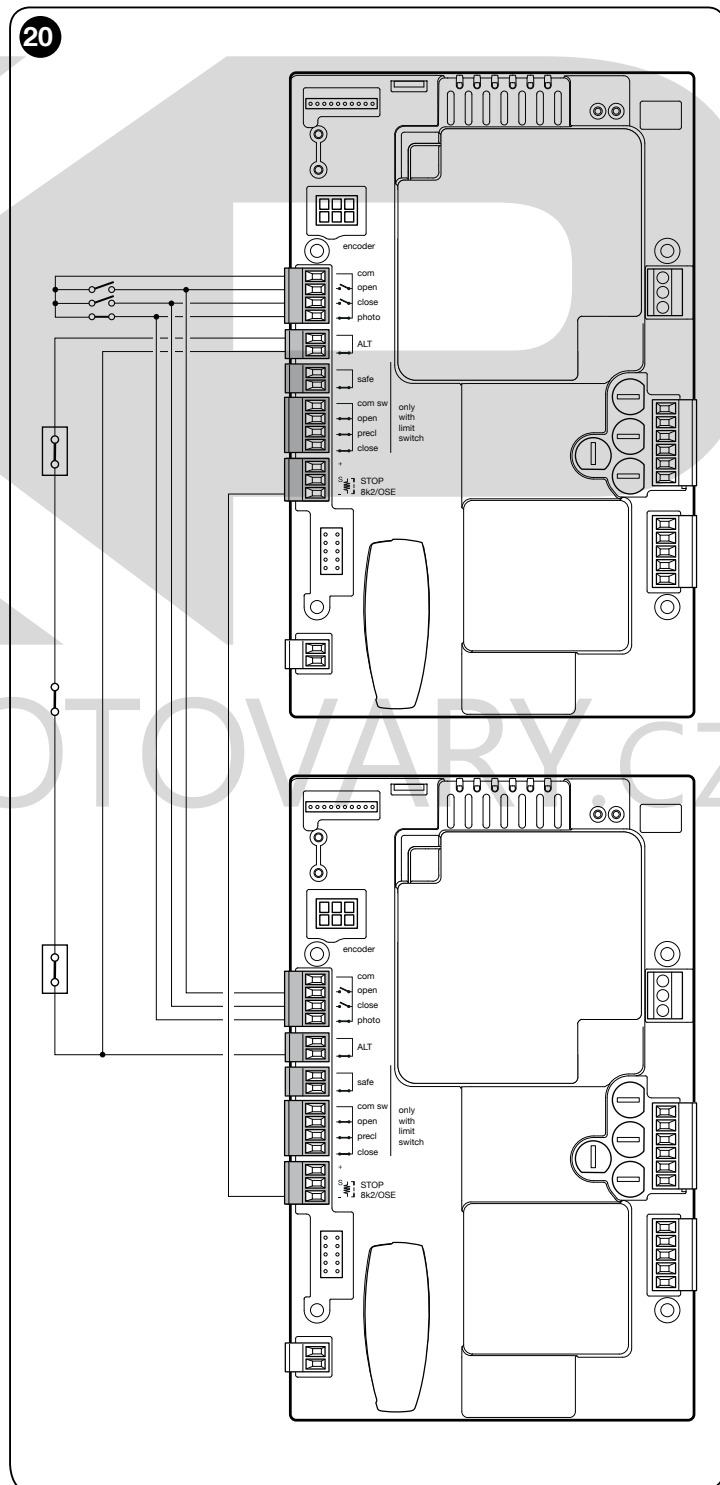
Los motores y los topes deben estar conectados a cada central. El intermitente y la salida SCA (testigo de cancela abierta) pueden estar conectados indistintamente a una de las dos centrales o instalados uno por cada central (**fig. A** pág. 6). Las entradas deben estar en paralelo entre sí; la entrada "Común" se puede conectar a una de las dos centrales.

Conectar juntos los bornes "-" de la banda sensible (8k2/OSE) de las dos centrales.

Configurar la entrada de "Abrir" como "Condominial", utilizando el programador O-View, que permite resincronizar las hojas si las dos centrales pierden el sincronismo.

Con esta configuración se recuerda que:

- la intervención de la banda sensible tiene efecto sólo en cada hoja individualmente;
- la tecla roja STOP tiene efecto sólo en cada hoja individualmente;
- la intervención de la protección térmica tiene efecto sólo en cada hoja individualmente;



10.1 - Ahondamientos

10.1.1 - Señales al encendido

Al encendido de la central DPRO500, el comportamiento de los led L2 OK verde y L1 WARNING rojo es significativo, como se ilustra en la Tabla 4. En particular, la información señalada es la siguiente:

- Si la adquisición de las posiciones de apertura y cierre es correcta;
- Si la adquisición de la seguridad (banda sensible) es correcta y qué tipo de seguridad ha sido reconocido.

Señales al encendido	Señal	
	Led L2 OK VERDE	Led L1 WARNING ROJO
Memoria blanca (ninguna posición ni seguridad adquirida)	Parpadeo rápido durante 5 segundos	Parpadeo rápido durante 5 segundos
Posiciones adquiridas correctamente y seguridad "8k2" reconocida	Parpadeo rápido durante 2 segundos	Un solo parpadeo lento
Posiciones adquiridas correctamente y seguridad "OSE" reconocida	Parpadeo rápido durante 2 segundos	Dos parpadeos lentos

Después de las señales indicadas en la Tabla 4, la central DPRO500 muestra eventuales errores de diagnóstico a través de los led L2 OK y L1 WARNING.

10.1.2 - Otras funciones

Testigo de estado y diagnóstico (borne en el teclado)

La central ofrece la posibilidad de conectar un testigo de 24 V – 5 W máx. al borne "testigo" de la tarjeta botonera que se encuentra del lado interior de la tapa de la caja (fig. 21: borne 1 -, 2 +). El "testigo" se puede instalar en la tapa misma, perforándola, o externamente a la central, a una distancia máxima de 2 m.

¡ATENCIÓN! - La salida no está protegida de cortocircuito.

Este "piloto" funciona de la siguiente manera:

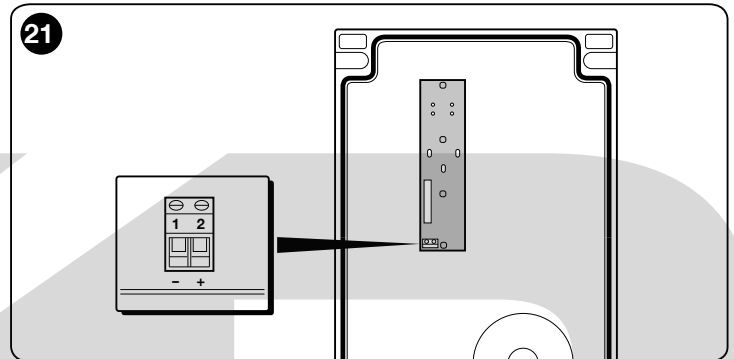
- apagado cuando la cadena de seguridad está abierta (entrada ALT, tecla STOP roja, protección térmica o desbloqueo)
- parpadea 0.5s ON, 0.5s OFF cuando funciona correctamente
- indica el mismo diagnóstico del led L1 WARNING rojo cuando hay "errores graves" (apartado 10.2).

Programación del tiempo de pausa de cierre automático

- 1 Poner los microinterruptores 3 y 4 en ON.
- 2 Con un mando de apertura, llevar la puerta a la posición de máxima apertura.
- 3 Alcanzada esta posición, esperar el tiempo de pausa de cierre automático deseado y dar un mando de cierre. El tiempo de pausa de cierre automático ha sido memorizado.

Para cambiar el valor del tiempo de pausa de cierre automático poner los microinterruptores 3 y 4 en OFF y luego nuevamente en ON. Repetir entonces la secuencia de apertura, tiempo de pausa, cierre.

¡ATENCIÓN! - El tiempo de pausa se borra poniendo el microinterruptor 4 en OFF.



10.2 - Diagnóstico

Algunos dispositivos están predispuestos para emitir señales que permiten reconocer el estado de funcionamiento y las anomalías. La tabla siguiente indica las distintas señales según el tipo de problema. Las señales consisten en parpadeos de los led L2 OK verde y L1 WARNING rojo y de una eventual luz intermitente, conectados a las salidas de la central, programados expresamente.

DIAGNÓSTICO LED L2 OK VERDE			
Señal	Causa	Solución	Intermitente
2 parpadeos - pausa corta 2 parpadeos - pausa larga	Intervención de una fotocélula	Al comienzo del movimiento una o varias fotocélulas no dan el asenso; verificar si hay obstáculos o si las fotocélulas se interfieren con el infrarrojo. Después de la intervención de los dispositivos de seguridad es posible el mando de la automatización por cable con hombre presente. No es posible enviar los mandos vía radio.	Parpadeo
4 parpadeos - pausa corta 4 parpadeos - pausa larga	Activación de la entrada STOP	Al comienzo de la maniobra o durante el movimiento se ha activado la entrada STOP; verificar la causa. Después de la intervención de los dispositivos de seguridad es posible el mando de la automatización por cable con hombre presente. No es posible enviar los mandos vía radio.	Parpadeo
6 parpadeos - pausa corta 6 parpadeos - pausa larga	Limitador de movimientos	---	Parpadeo
9 parpadeos - pausa corta 9 parpadeos - pausa larga	Automatización bloqueada	Enviar el mando "Desbloquear automatización" o activar el movimiento con "Paso a paso Alta prioridad".	Parpadeo
Encendido de los led durante 3 segundos	Bloqueo automatización	---	Parpadeo
2 parpadeos de 1 segundo pausa 1.5 segundos	Automatización desbloqueada	---	Parpadeo

DIAGNÓSTICO LED L1 WARNING ROJO			
⚠ Algunas señales se pueden borrar pulsando la tecla roja STOP			
Señal	Causa	Solución	Intermitente
5 parpadeos - pausa corta 5 parpadeos - pausa larga	Error EEPROM - Error en los parámetros internos de la central de mando	Desconectar y volver a conectar la alimentación. Si el error persiste, ejecutar el "Borrado total de la memoria" como se indica en el apartado 7.8 y repetir la instalación; si el estado persiste, podría haber una avería grave, en cuyo caso será necesario sustituir la tarjeta electrónica.	Parpadeo
2 parpadeos - pausa corta 2 parpadeos - pausa larga	Error Prueba de dispositivos de seguridad	Ejecutar nuevamente el procedimiento de adquisición de los dispositivos de seguridad conectados a la central (apartado 7.9).	---
3 parpadeos - pausa corta 3 parpadeos - pausa larga	Error sentido de rotación del encoder o tope invertido	Invertir el sentido de rotación del encoder poniendo en ON el microinterruptor 2 (ver el apartado 7.10). Si el motor tiene tope mecánico, resetear el error pulsando la tecla STOP e invertir la conexión del tope de apertura con la de cierre en el borne LIMIT SWITCH (fig. 14).	---

4 parpadeos - pausa corta 4 parpadeos - pausa larga	Error topes de seguridad	La cancela ha superado los topes de seguridad, en Apertura o en Cierre. Llevar la cancela manualmente a la mitad de la altura con el sistema de maniobra de emergencia (ver el manual del motor) y pulsar la tecla STOP en la tapa para restablecer el funcionamiento. Evaluar si es necesario modificar las posiciones de Apertura/Cierre adquiridas anteriormente.	---
6 parpadeos - pausa corta 6 parpadeos - pausa larga	Error telerruptor	Desconectar unos segundos todos los circuitos de alimentación y enviar un mando; si el estado persiste, podría haber una avería grave en la tarjeta o en las conexiones del motor. Verificar y sustituir si es necesario.	---
7 parpadeos - pausa corta 7 parpadeos - pausa larga	Error comunicación RS485 Encoder	Verificar la correcta conexión del cable motor-central, especialmente la del cable encoder (6 conductores de color).	---
8 parpadeos - pausa corta 8 parpadeos - pausa larga	Error encoder	Verificar la correcta conexión del cable motor-central, especialmente la del cable encoder (6 conductores de color). Ejecutar nuevamente el procedimiento de adquisición de las posiciones de Apertura y Cierre.	---
9 parpadeos - pausa corta 9 parpadeos - pausa larga	Error de adquisición de los topes	Repetir nuevamente el procedimiento de adquisición de las posiciones de Apertura y Cierre.	---
10 parpadeos - pausa corta 10 parpadeos - pausa larga	Error time-out maniobra	El valor de fábrica del time-out maniobra es de 60 segundos. Comprobar que no haya impedimentos al movimiento de la cancela y que la cancela ejecute efectivamente el movimiento. Verificar (con el programador Oview si está disponible) si la duración del timer ha sido modificada. Ejecutar nuevamente el procedimiento de adquisición de las posiciones de Apertura y Cierre.	---

Nota – las señales de diagnóstico con parpadeo de los led se interrumpen en el momento en que se envía un mando a la central. Las señales de diagnóstico utilizando un intermitente externo* continúa durante dos secuencias de parpadeos (ej. una secuencia de “3 parpadeos - pausa corta - 3 parpadeos - pausa larga” repetida dos veces).

IMPORTANTE: para conectar el intermitente externo es necesario utilizar la tarjeta adicional NDA040 (no suministrada).

* **Configurado con programador Oview como “Intermitente 1”.**

DIAGNÓSTICO LED L1 y L2

Señal	Causa
Parpadeo rápido alternado led rojo y led verde	Fase de actualización firmware en curso
4 parpadeos - pausa - 4 parpadeos simultáneos de los led	En espera de actualización de firmware

DIAGNÓSTICO LED SEGURIDAD

Señal	Causa	Solución
Encendido	Funcionamiento correcto	---
Apagado	Cadena de seguridad abierta	La cadena de seguridad se compone de la serie de entradas (ALT, Stop con tecla, protección térmica motor, desbloqueo motor). Cerrar el circuito

11 QUÉ HACER SI...

(orientación para la solución de problemas)

A continuación se describen algunos defectos de funcionamiento que pueden presentarse durante la instalación o en caso de averías, con las respectivas soluciones:

- **El motor está parado, no se activa ninguna maniobra y el led rojo parpadea:** verificar el tipo de parpadeo controlando la tabla de Diagnóstico led L1 warning (sección 10.2) y pulsar la tecla roja STOP para borrar el diagnóstico.
- **El radiotransmisor no activa el movimiento, y el led en el transmisor no se enciende:** verificar si las pilas del transmisor están descargadas y en tal caso sustituirlas.
- **El radiotransmisor no activa el movimiento, pero el led en el transmisor se enciende:** verificar si el transmisor está memorizado correctamente en el radioreceptor. Además, verificar en el transmisor la emisión correcta de la señal radio, ejecutando la siguiente prueba empírica: pulsar cualquier tecla del transmisor y apoyar su led sobre la antena de un aparato de radio común, en funcionamiento, sintonizado en la banda FM a la frecuencia de 108,5 Mhz, o la más próxima posible; de esta manera se debería oír un leve chirrido.
- **Al enviar un mando no se ejecuta ningún movimiento y el led OK no parpadea:** comprobar que la central esté alimentada con la tensión de red a 230/400V. Comprobar que los fusibles no se hayan quemado; si así fuera, verificar la causa de la avería y sustituirlos con otros de las mismas características.
- **Al enviar un mando no se ejecuta ningún movimiento y el intermitente está apagado:** comprobar que el mando sea recibido efectivamente; si el mando enviado llega a la entrada PP, el led OK parpadea dos veces para indicar que el mando ha sido recibido.
- **El movimiento no se ejecuta y el intermitente emite algunos parpadeos:** contar el número de parpadeos y comprobar el significado de los parpadeos en la tabla de diagnóstico en la sección 10.2
- **El motor gira al revés:**
 - **en caso de motor trifásico:** invertir las fases “V” y “W” del motor
 - **en caso de motor monofásico:** invertir las fases “V” y “W” del motor
- **El movimiento comienza pero se detiene:** verificar la causa mediante el diagnóstico de los led de la central de mando.
- **El led L1 WARNING rojo emite 9 parpadeos seguidos de una pausa:** error en el procedimiento de adquisición de las distancias de apertura y cierre: es necesario borrar la memoria (ver 7.9) y repetir la adquisición de las distancias (ver 7.10).

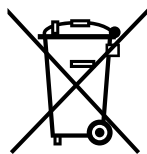
12 ELIMINACIÓN DEL PRODUCTO

Este producto forma parte de la automatización y, por consiguiente, debe eliminarse junto con ella.

Al igual que para las operaciones de instalación, también al final de la vida útil de este producto, las operaciones de desguace deben ser efectuadas por personal experto.

Este producto está formado por varios tipos de materiales: algunos pueden reciclarse y otros deben eliminarse. Infórmese sobre los sistemas de reciclado o eliminación previstos por las normativas vigentes en su territorio para esta categoría de producto.

¡Atención! – Algunas partes del producto pueden contener sustancias contaminantes o peligrosas que, si se las abandona en el medio ambiente, podrían provocar efectos perjudiciales para el medio ambiente y para la salud humana.



Como lo indica el símbolo que aparece al lado, está prohibido eliminar este producto junto con los desechos domésticos. Realizar la "recogida selectiva" para la eliminación, según los métodos previstos por las normativas locales, o bien entregar el producto al vendedor en el momento de adquirir un nuevo producto equivalente.

¡Atención! – los reglamentos locales pueden prever sanciones importantes en caso de eliminación ilegal de este producto.

13 CARACTERÍSTICAS TÉCNICAS DEL PRODUCTO

ADVERTENCIAS: • Todas las características técnicas indicadas se refieren a una temperatura ambiente de 20°C (± 5°C). • Nice S.p.A. se reserva el derecho de modificar el producto en cualquier momento en que lo considere necesario, manteniendo las mismas funciones y el mismo uso previsto.

MODELO	TUB4000
Tipo	Motorreductor electromecánico autofrenante para el movimiento automático de cancelas correderas para uso industrial con central electrónica de control DPRO500
Piñón	Z = 18; Módulo = 6; Paso = 18.8
Par máximo al arranque	216 Nm
Par nominal	65 Nm
Velocidad con el par nominal	0.16m/s (9,50m/min)
Límites de empleo	Generalmente TUB4000 puede automatizar cancelas con un peso de hasta 4000 kg o con una longitud de hasta 30 m
Alimentación	3~ 400 Vca +/-10%; 50 Hz.
Potencia nominal absorbida	580 W
Corriente nominal absorbida	1.6 A
Clase de aislamiento	1 (es necesaria la conexión a tierra de seguridad)
Temperatura de funcionamiento	-20°C ... 55°C
Grado de protección	IP 54
Medidas (mm):	580 x 480 x 240
Peso	60 kg

KOVOPOLOTOVARY.CZ

Declaración de conformidad UE (N. 624/TUB4) y declaración de incorporación de “cuasi máquina”

Nota - El contenido de esta declaración corresponde a lo declarado en el documento oficial depositado en la sede de Nice S.p.A. y, en particular, a su última revisión disponible antes de la impresión de este manual. El texto ha sido readaptado por motivos de impresión. No obstante, es posible solicitar una copia de la declaración original a Nice S.p.A. (TV) Italy.

Revisión: 2

Idioma: ES

Nombre del fabricante: NICE S.p.A.

Dirección: Via Pezza Alta N°13, 31046 Rustignè di Oderzo (TV) Italy

Persona autorizada para elaborar la documentación técnica: NICE S.p.A.

Dirección: Via Pezza Alta N°13, 31046 Rustignè di Oderzo (TV) Italy

Tipo de producto: Motorreductor electromecánico trifásico de 400V

Modelo / Tipo: TUB4000

Accesorios: Receptores de radio mod. SMXI, SMXIS y ONEXI, OXI, OXIBD, OXILR, OVIEW
Banda sensible óptica TMF, NDA040
Fotocélulas ERA familia S, M, L

El que suscribe, Roberto Griffa, en su carácter de Chief Executive Officer, declara bajo su responsabilidad que el producto antedicho es conforme a las disposiciones de las siguientes directivas:

- Directiva 2014/30/UE (EMC) EN 61000-6-2:2005 - EN 61000-6-3:2007+A1:2011

Asimismo, el producto cumple con la siguiente directiva de conformidad con los requisitos previstos para las “cuasi máquinas” (Anexo II, parte 1, sección B):

- Directiva 2006/42/CE DEL PARLAMENTO EUROPEO Y DEL CONSEJO del 17 de mayo de 2006 relativa a las máquinas y por la que se modifica la Directiva 95/16/CE (refundición).
 - Se declara que la documentación técnica pertinente ha sido redactada de conformidad con el anexo VII B de la directiva 2006/42/CE y que se han respetado los siguientes requisitos esenciales: 1.1.1- 1.1.2- 1.1.3- 1.2.1-1.2.6- 1.5.1-1.5.2- 1.5.5- 1.5.6- 1.5.7- 1.5.8- 1.5.10- 1.5.11
 - El fabricante se compromete a enviar a las autoridades nacionales que la soliciten la información pertinente sobre la “cuasi máquina”, sin perjuicio de sus propios derechos de propiedad intelectual.
 - Si la “cuasi máquina” se pone en servicio en un país europeo cuyo idioma oficial no es el de esta declaración, el importador tendrá la obligación de adjuntar la traducción correspondiente.
 - Se advierte que la “cuasi máquina” no deberá ponerse en servicio hasta que la máquina que en la que se incorpore no sea declarada conforme en virtud de la directiva 2006/42/CE, si corresponde.

El producto cumple con las siguientes normas: EN 60335-1:2012+A11:2014, EN 62233:2008, EN 60335-2-103:2015

Lugar y fecha: Oderzo, 19/12/2017

Ing. **Roberto Griffa**
(Chief Executive Officer)



▲ Se recomienda conservar esta guía para el uso y entregarla a todos los usuarios del automatismo.

ADVERTENCIAS

- Vigilar la cancela en movimiento y mantenerse a la debida distancia de seguridad hasta que quede completamente abierta o completamente cerrada. No entrar ni salir hasta que la cancela esté totalmente abierta e inmóvil.
- No dejar que los niños jueguen cerca de la cancela ni con los mandos de ésta.
- Mantener los transmisores fuera del alcance de los niños.
- Suspender de inmediato el uso de la automatización tan pronto como se detecte un funcionamiento anómalo (ruidos o sacudidas); de lo contrario, se puede dar lugar a peligros graves y riesgos de accidente.
- No tocar ninguna de las partes durante el movimiento.
- Disponer la realización de los controles periódicos según lo establece el plan de mantenimiento.
- Las operaciones de mantenimiento o reparación deben ser llevadas a cabo exclusivamente por personal técnico cualificado.
- Enviar un mando con los dispositivos de seguridad fuera de uso:

La cancela puede accionarse aun si los dispositivos de seguridad no funcionan correctamente o están fuera de servicio.

Después de la intervención de los dispositivos de seguridad es posible el mando de la automatización por cable con hombre presente. No es posible enviar los mandos vía radio.

Con los dispositivos de seguridad fuera de uso, es necesario hacer reparar lo antes posible la automatización.

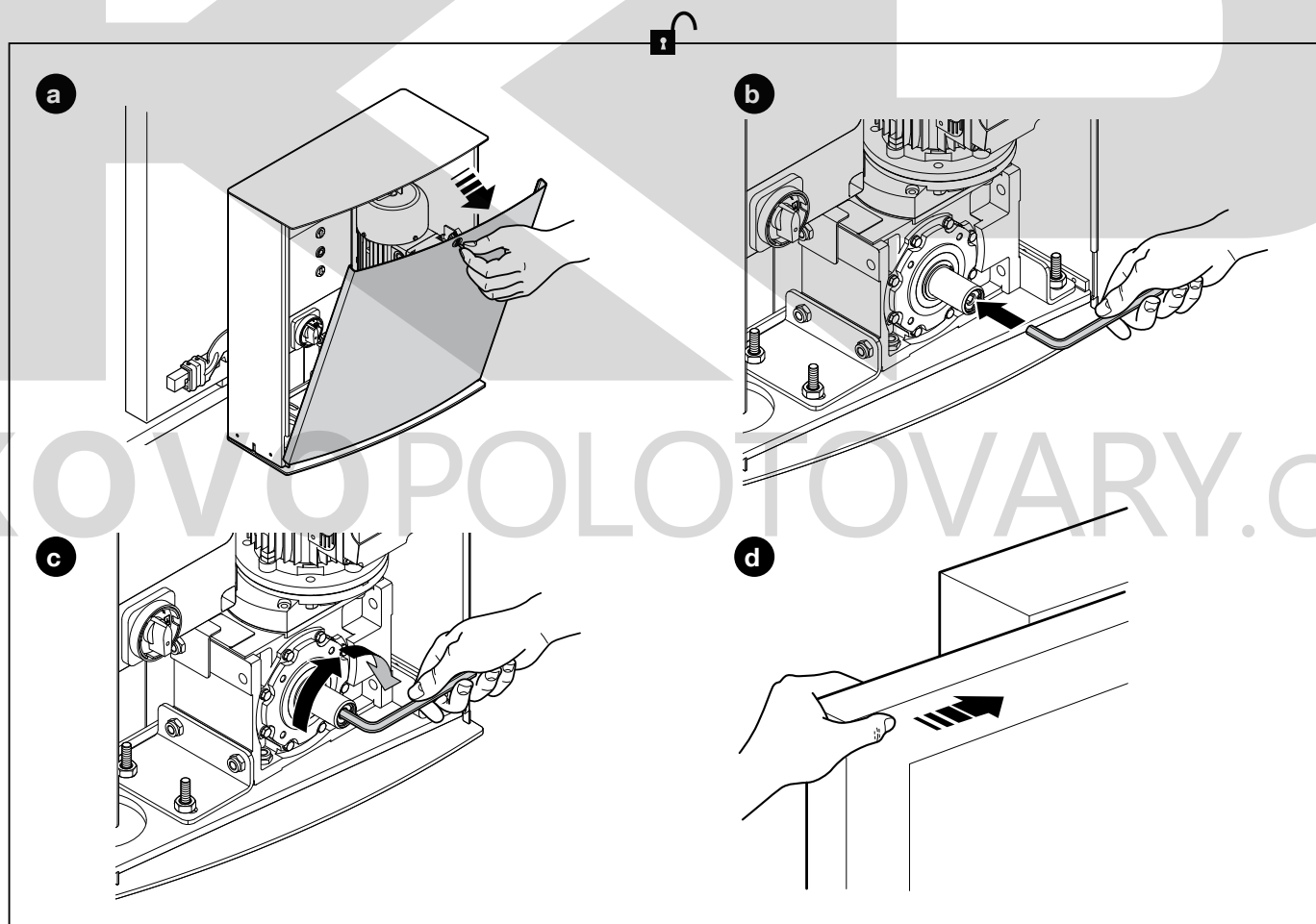
Desbloquear y bloquear el motorreductor (maniobra manual)

El motorreductor incorpora un sistema mecánico que permite abrir y cerrar la cancela manualmente.

Recurrir a la operación manual en caso de corte de suministro eléctrico o cuando haya alguna anomalía en la instalación.

En caso de fallo en el motorreductor, se podrá intentar utilizar el sistema de desbloqueo del motor para verificar que el daño no esté en dicho mecanismo.

Para bloquear el motorreductor, seguir la secuencia inversa.



Operaciones de mantenimiento permitidas al usuario

A continuación se enumeran las operaciones que el usuario debe realizar periódicamente:

- Limpieza superficial de los dispositivos: utilizar un paño ligeramente humedecido (no mojado). No utilizar sustancias que contengan alcohol, benceno, disolventes u otras sustancias inflamables; el uso de dichas sustancias puede provocar daños en el dispositivo y dar lugar a incendios o descargas eléctricas.
- Eliminación de hojas y piedras: cortar la alimentación a la automatización antes de proceder, para impedir que alguien pueda accionar la cancela. Si hay una batería de reserva, desconectarla.



KOVOPOLOTOVARY.cz

ALLGEMEINE HINWEISE: SICHERHEIT - INSTALLATION - GEBRAUCH

(aus dem Italienischen übersetzte Anleitung)

▲ Die folgenden Hinweise wurden direkt aus den geltenden Normen übernommen und sind soweit möglich auf das betreffende Produkt anwendbar

ACHTUNG Wichtige Sicherheitshinweise. Halten Sie alle Anweisungen strikt ein. Eine unkorrekte Installation kann schwerwiegende Schäden verursachen

ACHTUNG Wichtige Sicherheitshinweise. Die Sicherheit von Personen ist nur gewährleistet, wenn die folgenden Anweisungen eingehalten werden. Bewahren Sie diese Anleitung gut auf

- Vor der Installation die „Technischen Merkmale des Produkts“ prüfen, insbesondere ob das Gerät als Antrieb für das betreffende Tor geeignet ist. Das Gerät NICHT installieren, falls es nicht dafür geeignet ist
- Das Gerät darf erst verwendet werden, nachdem es wie im Abschnitt „Abnahmeprüfung und Inbetriebnahme“ beschrieben in Betrieb genommen wurde

ACHTUNG Gemäß der aktuellen europäischen Gesetzgebung muss ein Torantrieb entsprechend den harmonisierten Normen der EG-Maschinenrichtlinie ausgeführt werden, die es erlauben, eine Erklärung über die vermutliche Konformität des Antriebs auszustellen. Daher müssen der Anschluss an das Stromnetz, die Abnahmeprüfung, Inbetriebsetzung und die Wartung des Geräts von einem Fachbetrieb ausgeführt werden!

- Vor den weiteren Installationsarbeiten des Geräts sicherstellen, dass das gesamte zu verwendende Material in einwandfreiem Zustand und für den Bestimmungszweck geeignet ist
- Das Gerät darf nicht von Personen (einschließlich Kindern) mit eingeschränkten physischen, sensorischen oder geistigen Fähigkeiten oder mangelnder Erfahrung bzw. Kenntnis bedient werden
- Kinder dürfen nicht mit dem Gerät spielen
- Erlauben Sie es Kindern nicht, mit den Befehleinrichtungen dieses Geräts zu spielen. Die Fernbedienungen dürfen nicht in die Hand von Kindern gelangen

ACHTUNG Um alle Gefahren im Zusammenhang mit einer unvorhergesehenen Wiedereinschaltung des Schutzschalters zu verhindern, darf dieses Gerät nicht über eine externe Schaltvorrichtung (z. B. eine Zeitschaltuhr) mit Strom versorgt oder an einen Stromkreis angeschlossen werden, der regelmäßig ein- oder ausgeschaltet wird

- Im Stromanschluss der Anlage muss eine Abschaltvorrichtung (nicht im Lieferumfang enthalten) mit einem Öffnungsabstand der Kontakte vorgesehen werden, der eine vollständige Abschaltung gemäß der Bedingungen von Überspannungskategorie III ermöglicht
- Das Gerät bei der Installation vorsichtig handhaben und Quetschungen, Stöße, Herunterfallen sowie den Kontakt mit Flüssigkeiten jeder Art vermeiden. Das Gerät von Wärmequellen und offenen Flammen fernhalten. Diese Handlungen können das Gerät beschädigen und Funktionsstörungen oder Gefahrensituationen verursachen. In diesen Fällen die Installation unverzüglich abbrechen und den Kundendienst kontaktieren
- Der Hersteller haftet nicht für Vermögens-, Personen- oder Sachschäden, die durch Nichtbeachtung der Montageanweisungen entstehen. In diesen Fällen ist die Garantie für Materialfehler ausgeschlossen
- Der A-bewertete Schalldruckpegel ist geringer als 70 dB(A)
- Kinder dürfen Reinigungs- und Wartungsarbeiten, die vom Anwender auszuführen sind, nur erledigen, wenn sie von einer erwachsenen Person beaufsichtigt werden
- Das Gerät vor Arbeiten an der Anlage (Wartung, Reinigung) immer erst von der Stromversorgung trennen
- Prüfen Sie die Anlage regelmäßig auf eventuelle Ungleichgewichte, Abnutzungserscheinungen und Schäden insbesondere von Kabeln, Federn und Halterungen. Verwenden Sie das Gerät nicht, wenn eine Reparatur oder Einstellung erforderlich ist, da eine unkorrekte Installation oder ein nicht ordnungsgemäßer Gewichtsausgleich der Automatisierung zu Verletzungen führen kann
- Das Verpackungsmaterial des Geräts muss in Übereinstimmung mit den örtlichen Vorschriften entsorgt werden
- Halten Sie alle anwesenden Personen vom Tor fern, wenn dieses über die Steuerelemente bewegt wird
- Während der Ausführung der Bewegung den Antrieb kontrollieren und Personen solange fernhalten, bis die Bewegung abgeschlossen ist
- Betätigen Sie das Produkt nicht, wenn in der Nähe Personen am Antrieb arbeiten; trennen Sie die Vorrichtung vom Stromnetz, bevor solche Arbeiten ausgeführt werden
- Wenn das Netzkabel beschädigt ist, muss es vom Hersteller, vom technischen Kundendienst oder von einer Person mit einer vergleichbaren Qualifikation ersetzt werden, um jede Gefährdung auszuschließen

INSTALLATIONSHINWEISE

- Vor dem Einbau des Antriebsmotors sicherstellen, dass alle mechanischen Komponenten in technisch einwandfreiem Zustand sind, sich korrekt im Gleichgewicht befinden und der Antrieb vorschriftsgemäß bedient werden kann
- Falls das zu automatisierende Tor mit einem Fußgängerzugang ausgestattet ist, wird es notwendig, an der Anlage ein Kontrollsystem zu installieren, das die Motorfunktion blockiert, wenn der Eingang für Fußgänger offen steht
- Sicherstellen, dass die Bedienelemente ausreichenden Abstand zu den Bewegungsteilen haben und eine direkte Sicht erlauben. Sofern kein Schlüsselschalter benutzt wird, müssen die Bedienelemente auf einer Mindesthöhe von 1,5 m montiert werden und dürfen nicht zugänglich sein

Besondere Hinweise in Bezug auf die europäischen Richtlinien, die für das Produkt anwendbar sind

- „Bauprodukte“-Verordnung: Besondere Hinweise für dieses Produkt gemäß der Verordnung 305/2011:
 - Die vollständige Installation dieses Produkts, wie in dieser Anleitung und für einige Verwendungstypen beschrieben (beispielsweise mit Ausnahme der ausschließlichen Verwendung für Fahrzeuge), kann dazu führen, dass dieses Gerät in den Anwendungsbereich der Verordnung 305/2011 und der entsprechenden harmonisierten Norm EN 13241-1 fällt.
 - Die notwendigen Installationskriterien müssen eingehalten werden, damit das Produkt den wichtigsten Anforderungen der Verordnung 305/2011 entspricht; die Person, die die Installation vornimmt, ist verpflichtet, sicherzustellen und zu kontrollieren, dass alle diese Kriterien streng eingehalten werden.
 - Falls das Produkt unter Nichtbeachtung einer oder mehrerer dieser Kriterien verwendet oder installiert wird, können diese Anforderungen gegebenenfalls nicht gewährleistet werden. Die Verwendung des Produkts in diesen Situationen ist solange verboten, bis die Person, die die Installation vorgenommen hat, die Einhaltung der von der Richtlinie vorgesehenen Auflagen und Anforderungen überprüft; in diesem Fall muss das auf dem Produkt angebrachte Etikett „ES13241-1.4870“ unverzüglich entfernt werden. Die weitere Verwendung der „EG-Konformitätserklärung“ des Anhangs I dieses Handbuchs ist ebenfalls untersagt. Demzufolge wird die Person, die die Installation vornimmt, ihrerseits zum Hersteller des Produkts und ist verpflichtet, die Bestimmungen der Verordnung 305/2011 und der harmonisierten Norm EN 13241-1 einzuhalten. In diesem Fall muss das Produkt als „unvollständige Maschine“ eingestuft werden und es kann die Konformitätserklärung des Anhangs II verwendet werden (die zum integralen Bestandteil der technischen Unterlagen wird).

- „Niederspannungsrichtlinie“:
Besondere Hinweise zur Gebrauchstauglichkeit dieses Produkts in Bezug auf die Niederspannungsrichtlinie. Dieses Produkt entspricht bei bestimmungsgemäßer Verwendung und Nutzung in der vorgesehenen Konfiguration gemäß vorliegendem Handbuch sowie in Kombination mit den im Produktkatalog von NICE S.p.A. enthaltenen Teilen den Anforderungen der Niederspannungsrichtlinie.
Bei Verwendung des Produkts in anderer Konfiguration bzw. mit anderen, nicht vorgesehenen Komponenten, kann die Einhaltung dieser Anforderungen nicht gewährleistet werden; die Verwendung des Produkts ist unter diesen Umständen solange verboten, bis die Person, die die Installation vorgenommen hat, die Einhaltung der von der Richtlinie vorgesehenen Auflagen und Anforderungen sicherstellt.
- Richtlinie zur „elektromagnetischen Verträglichkeit“:
Besondere Hinweise zur Gebrauchstauglichkeit dieses Produkts in Bezug auf die Richtlinie zur elektromagnetischen Verträglichkeit.
Dieses Produkt wurde Tests zur elektromagnetischen Verträglichkeit unter schwierigsten Anwendungsbedingungen unterzogen, und zwar in den von diesem Handbuch vorgesehenen Konfigurationen und in Kombination mit Teilen, die im Produktkatalog von Nice S.p.A. enthalten sind.
Bei Verwendung des Produkts in anderer Konfiguration bzw. mit anderen, nicht vorgesehenen Teilen kann die elektromagnetische Verträglichkeit gegebenenfalls nicht gewährleistet werden; die Verwendung des Produkts ist unter diesen Umständen solange verboten, bis die Person, die die Installation vorgenommen hat, die Einhaltung der von der Richtlinie vorgesehenen Auflagen und Anforderungen sicherstellt.

Installationskriterien und besondere Hinweise in Bezug auf die grundlegenden Anforderungen

- Dieses Produkt entspricht bei ordnungsgemäßer Installation den grundlegenden Anforderungen der Verordnung 305/2011 gemäß den Bestimmungen der harmonisierten Norm EN 13241-1, wie sie aus Tabelle 1 und der EU-Maschinenrichtlinie 2006/42/EG hervorgehen.
- Freisetzung gefährlicher Substanzen:
Gemäß Norm EN 13241-1, Abs. 4.2.9 und gemäß der auf der Website der Europäischen Union veröffentlichten Liste enthält dieses Produkt keine gefährlichen Substanzen bzw. setzt keine gefährlichen Substanzen frei.
Besonderer Hinweis, um die Einhaltung der Anforderung zu gewährleisten – Es ist außerordentlich wichtig, dass auch andere bei der Installation verwendete Materialien, wie z. B. Stromkabel, dieser Anforderung entsprechen.
- Sichere Öffnung für Schranken mit horizontaler Bewegung: Das Produkt verursacht keine unkontrollierten Bewegungen.
Besondere Hinweise, um die Einhaltung der Anforderungen zu gewährleisten:
 - Führen Sie die Installation unter strenger Beachtung der in den Kapiteln 2 „Installation“ und 4 „Abnahme und Inbetriebnahme“ beschriebenen Anweisungen durch.
 - Vergewissern Sie sich, dass ein Wartungsplan erstellt wird, gemäß dem die im Kapitel „Wartungsplan“ vorgesehenen Arbeiten minutiös ausgeführt werden.
- Die Schiebetore sind hinsichtlich Quetsch- und Aufprallgefahren durch eine der folgenden drei Methoden abgesichert:
 - 1 - Für den Betrieb mit „Steuerung ohne Selbsthaltevorrückung“ (Totmannfunktion): wie in EN 12453, Abs. 5.1.1.4. angeführt. In diesem Fall muss die Steuertaste in Sichtweite des Antriebs positioniert sein. Wenn diese öffentlich zugänglich ist, muss verhindert werden, dass sie von jedermann betätigt werden kann, z. B. durch Verwendung eines Schlüsselschalters.
 - 2 - Für den Betriebsmodus „Halbautomatisch“: mithilfe einer aktiven Schaltleiste für die Kraftbegrenzung, wie in EN 12453, Abs. 5.1.1.5 und 5.1.3 spezifiziert.
 - 3 - Für den Betriebsmodus „Automatisch“: mithilfe einer aktiven Schaltleiste für die Kraftbegrenzung, wie in EN 12453, Abs. 5.1.1.5 und 5.1.3 angeführt; in diesem Fall muss zumindest ein Fotozellenpaar (Lichtschranke), wie in Abb. 2 dargestellt, verwendet werden.

KOVO POLOTOVARY.CZ

TUB4000

DEUTSCH

Aus dem Italienischen übersetzte Anleitung

Inhalt

ALLGEMEINE HINWEISE: SICHERHEIT - INSTALLATION - GEBRAUCH	1
1 - PRODUKTBESCHREIBUNG UND EINSATZZWECK	3
2 - INSTALLATION.....	3
2.1 - Überprüfungen vor der Installation	3
2.2 - Einsatzbeschränkungen des Produkts	3
2.3 - Typische Anlage.....	4
2.4 - Befestigung des Antriebs	4
2.5 - Installation der verschiedenen Vorrichtungen an der Steuerungseinheit.....	4
3 - ELEKTRISCHE ANSCHLÜSSE.....	5
4 - ABNAHME UND INBETRIEBNAHME	7
4.1 - Abnahmeprüfung	7
5 - EINGEBAUTES STEUERGERÄT DPRO500.....	8
5.1 - Produktbeschreibung und einsatzzweck.....	8
6 - INSTALLATION.....	8
6.1 - Überprüfungen vor der Installation	8
6.2 - Einsatzbeschränkungen des Produkts	8
6.3 - Installation der Steuerungseinheit.....	8
7 - ELEKTRISCHE ANSCHLÜSSE.....	9
7.1 - Anschluss des Dreiphasenstromkabels	9
7.2 - Anschluss des Einphasenstromkabels	9
7.3 - Wechseln der Stromversorgung mittels Jumper.....	9
7.4 - Beschreibung der elektrischen Anschlüsse: Versorgung, Sicherheitsvorrichtungen, Steuerung und Zubehör.....	9
7.5 - Elektrische Anschlüsse der Steuerungseinheit.....	10
7.6 - Eingang STOP SAFETY EDGE.....	12
7.7 - Anschluss eines Funkempfängers.....	12
7.8 - Ersteinschaltung und Überprüfung der Anschlüsse.....	12
7.9 - Vollständige Löschung des Speichers der Steuerungseinheit.....	12
7.10 - Einlernung der angeschlossenen Vorrichtungen und der Öffnungs- und Schließpositionen	13
7.10.1 - Einlernung der Öffnungs- und Schließpositionen mit mechanischem Endschalter	13
7.11 - Betriebsmodi.....	13
7.12 - Programmierungseinheit OView	13
8 - ABNAHME UND INBETRIEBNAHME	14
8.1 - Abnahmeprüfung	14
8.2 - Inbetriebnahme	14
9 - INSTALLATION UND ELEKTRISCHER ANSCHLUSS VON ZWEI STEUERUNGSEINHEITEN FÜR DEN BETRIEB MIT GEGENLÄUFIGEN TORFLÜGELN	14
10 - WEITERFÜHRENDE INFORMATIONEN UND DIAGNOSTIK	14
10.1 - Weiterführende Informationen	14
10.1.1 - Meldungen beim Einschalten	14
10.1.2 - Weitere Funktionen	15
10.2 - Diagnostik.....	16
11 - WAS TUN, WENN	17
12 - ENTSORGUNG DES PRODUKTS.....	18
13 - TECHNISCHE MERKMALE DES PRODUKTS.....	18
GEBRAUCHSANLEITUNG (herausnehmbares Beiblatt)	19
EG-KONFORMITÄTSERKLÄRUNG	20

WICHTIG!
Lesen Sie vor Ausführung von Tätigkeiten oder Verfahren gleich welcher Art die allgemeinen Hinweise (S. 1) sowie die Einsatzbeschränkungen (Abschnitt 2.2) sorgfältig durch

1 PRODUKTBESCHREIBUNG UND EINSATZZWECK

TUB4000 ist ein Antrieb für Schiebetore großer Abmessungen für industriellen Einsatz, mit eingebauter Steuerungseinheit DPRO500, die für den Einbau von NICE Empfängern vorbereitet ist.

Er arbeitet elektrisch; bei Stromausfall kann das Tor mit einem speziellen Schlüssel entriegelt und von Hand bewegt werden.

ACHTUNG! – Jede andere Verwendung als die hier beschriebene und der Gebrauch des Geräts unter abweichenden Umgebungsbedingungen sind als unsachgemäß anzusehen und verboten!

2 INSTALLATION

Die Installation von TUB4000 darf nur durch qualifiziertes Fachpersonal unter genauester Beachtung der Gesetze, Vorschriften und Verordnungen sowie der Angaben in dieser Anleitung ausgeführt werden.

2.1 - Überprüfungen vor der Installation

Vor Installationsbeginn muss geprüft werden, ob Komponenten des Produktes beschädigt und das gewählte Modell und die Umgebung für die jeweilige Installation geeignet sind:

- Vergewissern Sie sich, dass das zu verwendende Material in optimalem Zustand und für den vorgesehenen Verwendungszweck geeignet ist.
- Vergewissern Sie sich, dass die Umgebungsbedingungen sich innerhalb jener Grenzwerte befinden, die bei den Einsatzbeschränkungen des Produkts (Absatz 2.2) bzw. im Abschnitt „Technische Merkmale des Produkts“ angegeben sind.
- Vergewissern Sie sich, dass die zur Installation gewählte Umgebung mit dem Gesamtplatzbedarf des Produkts kompatibel ist (**Abb. 1**).
- Vergewissern Sie sich, dass die für die Installation des Produktes gewählte Oberfläche tragfähig ist und eine stabile Befestigung gewährleisten kann.
- Vergewissern Sie sich, dass der Befestigungsbereich keinen Überschwemmungen ausgesetzt werden kann; nehmen Sie gegebenenfalls die Montage in angemessenem Abstand zum Boden vor.
- Vergewissern Sie sich, dass genug Platz vorhanden ist, um einen bequemen und sicheren Zugang zu gewährleisten.
- Vergewissern Sie sich, dass alle zu verwendenden Stromkabel dem Typ entsprechen, der in Tabelle 2 aufgelistet ist.
- Vergewissern Sie sich, dass am Antrieb die mechanischen Anschläge sowohl für den Öffnungs- als auch für den Schließvorgang vorhanden sind.

2.2 - Einsatzbeschränkungen des Produkts

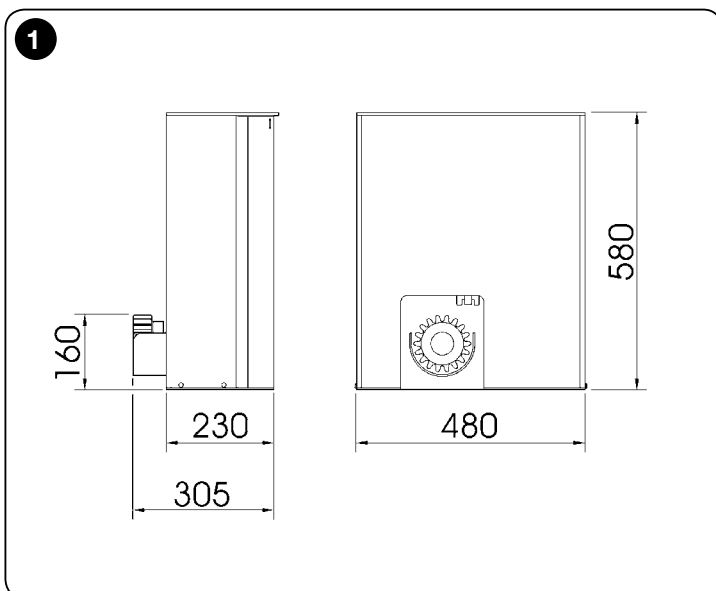
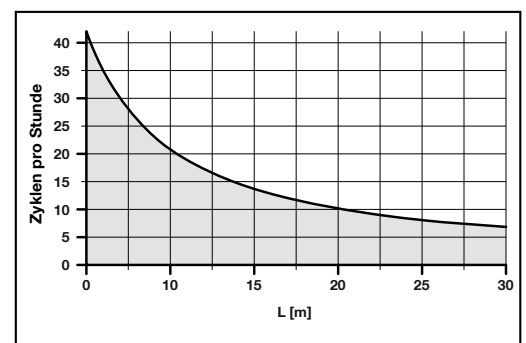
Die Leistungsdaten von TUB4000 sind in Kapitel 13 „Technische Merkmale“ angegeben; dies sind die einzigen Werte, die eine korrekte Beurteilung der Eignung ermöglichen.

Allgemein ist TUB4000 für den Antrieb von Toren mit einem Gewicht bis 4000 kg bzw. einer Länge bis 30 m geeignet, entsprechend den Angaben in Tabelle 1.

TABELLE 1

Torflügelänge Meter	max. Zyklen/Stunde
Bis zu 5	42
5-10	21
10-15	14
15-20	10
20-25	8
25-30	7

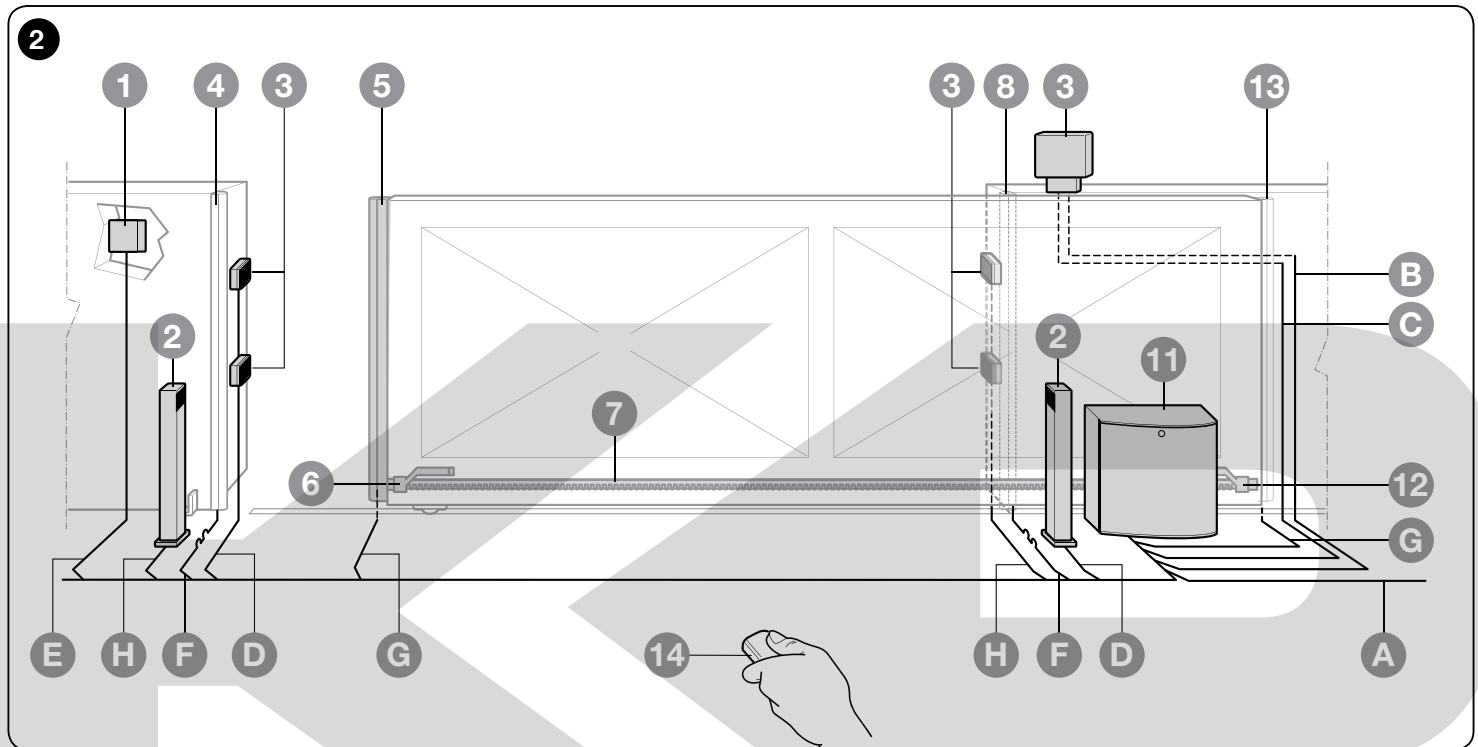
Grafische Darstellung der Stundenzyklen in Abhängigkeit von der Länge des Torflügels.



2.3 - Typische Anlage

In **Abb. 2** ist die typische Anlage eines Schiebetorantriebs mit TUB4000 dargestellt.

- 1 Schlüssel-Wahlschalter
- 2 Fotozellen auf Standsäule
- 3 Fotozellen FOTO
- 4 Feste Hauptschaltleiste (Optional)
- 5 Bewegliche Hauptschaltleiste
- 6 Endschalterbügel „Geöffnet“
- 7 Zahnstange
- 8 Feste Nebenschaltleiste (Optional)
- 9 Blinkleuchte
- 10 Antenne
- 11 Motor
- 12 Endschalterbügel „Geschlossen“
- 13 Bewegliche Nebenschaltleiste (Optional)
- 14 Funksender



2.4 - Befestigung des Antriebs

Wenn die Auflagefläche bereits vorhanden ist, muss der Torantrieb direkt auf der Oberfläche mit geeigneten Mitteln (z.B. Spreizdübeln) befestigt werden.

Anderenfalls zum Befestigen des Torantriebs:

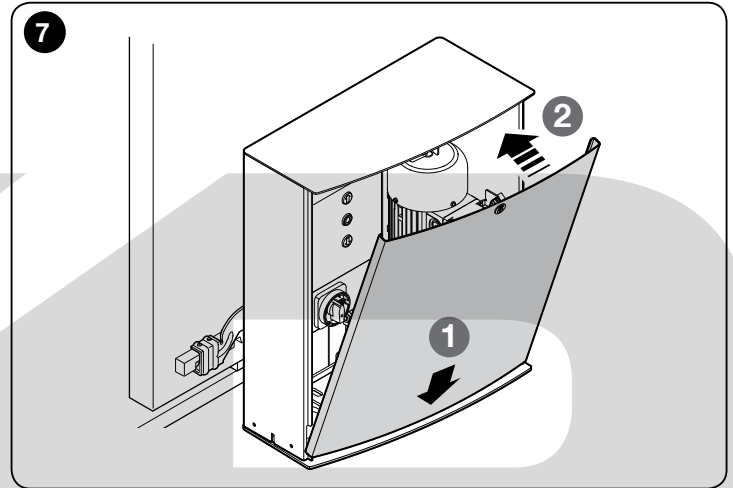
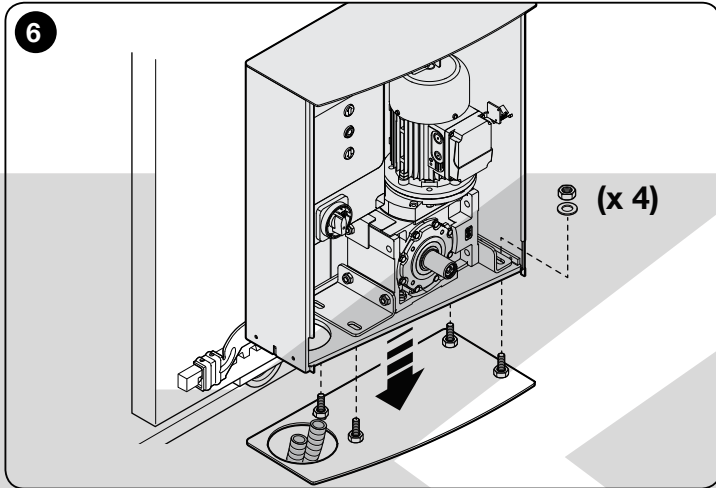
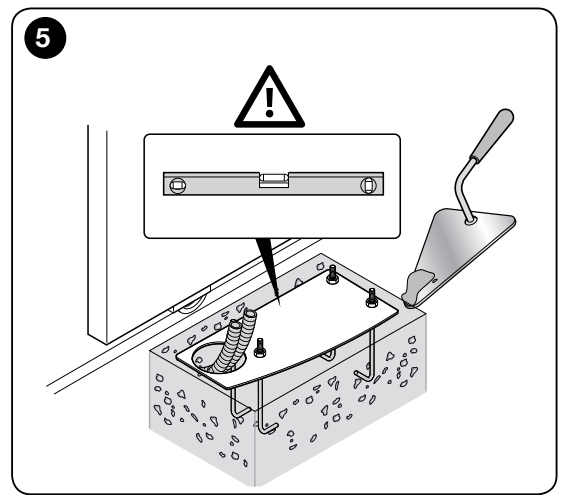
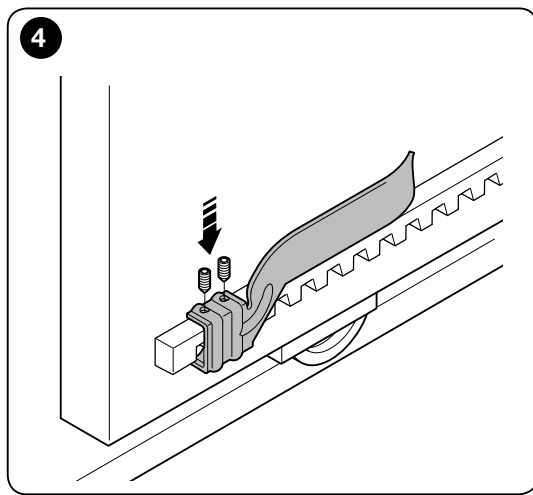
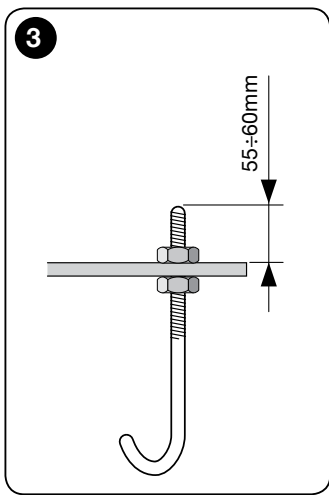
01. Einen Fundamentaushub in passender Größe herstellen.
02. Ein oder mehrere Leerrohre für die Elektrokabel wie in **Abb. 5** verlegen.
03. Die vier Verankerungen an der Ankerplatte montieren, dazu wie in **Abb. 3** je eine Mutter unter und auf der Platte anordnen, so dass der Gewindeabschnitt möglichst weit über die Platte hinausragt.
04. Betonschüttung vornehmen und vor dem Abbinden die Ankerplatte aufliegen; sicherstellen, dass sie parallel zum Torflügel liegt und perfekt in Waage ist, wie in **Abb. 5**. Warten, bis der Beton komplett abgebunden hat.
05. Gehäuse des Torantriebs entfernen, dazu den in **Abb. 7** dargestellten Vorgang in umgekehrter Reihenfolge ausführen.
06. Torantrieb auf die Ankerplatte auflegen und perfekt parallel zum Torflügel positionieren, dann wie in **Abb. 6** mit den 4 Muttern und zugehörigen Unterlegscheiben fest an den 4 Verankerungen befestigen.
07. Ritzel entriegeln, wie im Abschnitt „Entriegelung und manuelle Bewegung“ im Kapitel „Anweisungen und Hinweise für den Benutzer des Torantriebs TUB4000“ angegeben
08. Torflügel komplett öffnen, den ersten Abschnitt der Zahnstange auf das Ritzel legen und kontrollieren, ob der Anfang der Zahnstange mit dem Anfang des Torflügels übereinstimmt. Kontrollieren, ob zwischen Ritzel und Zahnstange ein Spiel von 2-3 mm besteht, dann die Zahnstange mit geeigneten Mitteln am Torflügel befestigen.
09. Torflügel bewegen und dabei immer das Ritzel als Anhaltspunkt für die Befestigung der anderen Zahnstangenelemente verwenden.
10. Den überstehenden, letzten Teil der Zahnstange absägen.
11. Torflügel mehrmals öffnen und schließen und dabei prüfen, ob die Zahnstange mit einer maximalen Abweichung von 10-15 mm parallel zum Ritzel gleitet und dass auf der ganzen Länge ein Spiel von 2-3 mm zwischen Zahnstange und Ritzel vorhanden ist.
12. Endschalterbügel für die „Öffnung“ und „Schließung“ an den Enden der Zahnstange wie in **Abb. 4** mit den zugehörigen Stiftschrauben befestigen. Es ist zu berücksichtigen, dass sich der Torflügel bei Auslösung der Endschalter noch 2-3 cm weiter bewegt, daher sollten die Endschalterbügel mit entsprechendem Abstand zu den mechanischen Anschlüssen angebracht werden.

13. Unter Punkt 07 ausgeführten Schritt umgekehrt ausführen und Ritzel verriegeln.
 14. Gehäuse wie in **Abb. 7** angegeben an TUB4000 befestigen und sicherstellen, dass der über dem Ritzel angeordnete Hebel des Endschalters sich frei bewegen kann.
 15. Tür des Torantriebs schließen und sicherstellen, dass der rechts vom Elektromotor angeordnete Sicherheitsmikroschalter betätigt wird.
- ▲ Um zu verhindern, dass das Gewicht des Torflügels auf dem Torantrieb lastet, ist es wichtig, dass zwischen Zahnstange und Ritzel ein Spiel von 2-3 mm besteht.**

2.5 - Installation der verschiedenen Vorrichtungen an der Steuerungseinheit

Alle vorgesehenen Vorrichtungen nach den jeweiligen Anweisungen installieren. In Kapitel 7 (DPRO500) prüfen, welche Vorrichtungen an TUB4000 angeschlossen werden können.

ACHTUNG! – Alle elektrischen Anschlüsse müssen bei spannungsfrei geschalteter Anlage und durch erfahrenes Fachpersonal mit den erforderlichen Kenntnissen und Qualifikationen unter Einhaltung der geltenden Gesetze, Normen und Vorschriften ausgeführt werden.



3 ELEKTRISCHE ANSCHLÜSSE

In der typischen Anlage nach **Abb. 3** sind auch die für den Anschluss der verschiedenen Vorrichtungen benötigten Kabel angegeben; in Tabelle 2 sind die Merkmale der Kabel angegeben.

Die benutzten Kabel müssen für die jeweilige Installation geeignet sein; zum Beispiel wird ein Kabel des Typs H05VV-F zum Verlegen in Innenbereichen empfohlen, oder des Typs H07RN-F für Außenanwendungen.

TABELLE 2 - Technische Merkmale der Stromkabel (Abb. 2)

Anschluss	Kabeltyp	Höchstzulässige Länge
A: Stromversorgungsleitung	1 Kabel 4 x 1,5 mm ²	30 m (Anmerkung 1)
B: Blinkleuchte	1 Kabel 2 x 1 mm ²	20 m (Anmerkung 7)
C: Antenne	1 abgeschirmtes Kabel vom Typ RG58	(empfohlen: weniger als 5 Meter)
D: Sender-Fotozellen	1 Kabel 2 x 0,25 mm ²	30 m (Anmerkung 3)
E: Schlüssel-Wahlschalter	2 Kabel 2 x 0,25 mm ²	50 m (Anmerkung 2)
F: Feste Schaltleisten	1 Kabel 2 x 0,5 mm ²	30 m (Anmerkungen 4, 6)
G: Bewegliche Schaltleisten	1 Kabel 2 x 0,5 mm ²	30 m (Anmerkungen 4, 5, 6)
H: Empfänger-Fotozellen	2 Kabel 2 x 0,25 mm ²	30 m (Anmerkungen 2, 3)

Anmerkung 1 – Wenn das Versorgungskabel länger als 30 m ist, muss ein Kabel mit größerem Querschnitt benutzt werden, z. B. 4 x 2,5 mm². In der Nähe des Antriebs ist eine Sicherheitserdung erforderlich.

Anmerkung 2 – Die beiden 2 x 0,25 mm²-Kabel dürfen nur durch ein 4 x 0,25 mm²-Kabel ersetzt werden.

Anmerkung 3 – Abgeschirmte Kabel verwenden, wenn die Länge über 30 m beträgt, und Umflechtung nur an der Seite der Steuerungseinheit erden.

Anmerkung 4 – In besonderen Anwendungsfällen können mehr Schaltleisten erforderlich sein. Wenn mehr als eine Schaltleiste vorhanden ist, siehe Bedienungsanleitung für die empfohlene Anschlussart.

Anmerkung 5 – Zum Anschluss der beweglichen Schaltleisten an Schiebetoren sind geeignete Vorrichtungen zu verwenden, welche die Verbindung auch bei sich bewegendem Torflügel ermöglichen.

Anmerkung 6 – Die zum Anschluss der beweglichen oder festen Schaltleisten erforderliche Zahl von Leitern ist davon abhängig, welche Technik verwendet wird, um die geforderte Sicherheitskategorie zu gewährleisten. Das Beispiel gilt für TCB65 Schaltleisten, die an TCE Schnittstellen angeschlossen sind.

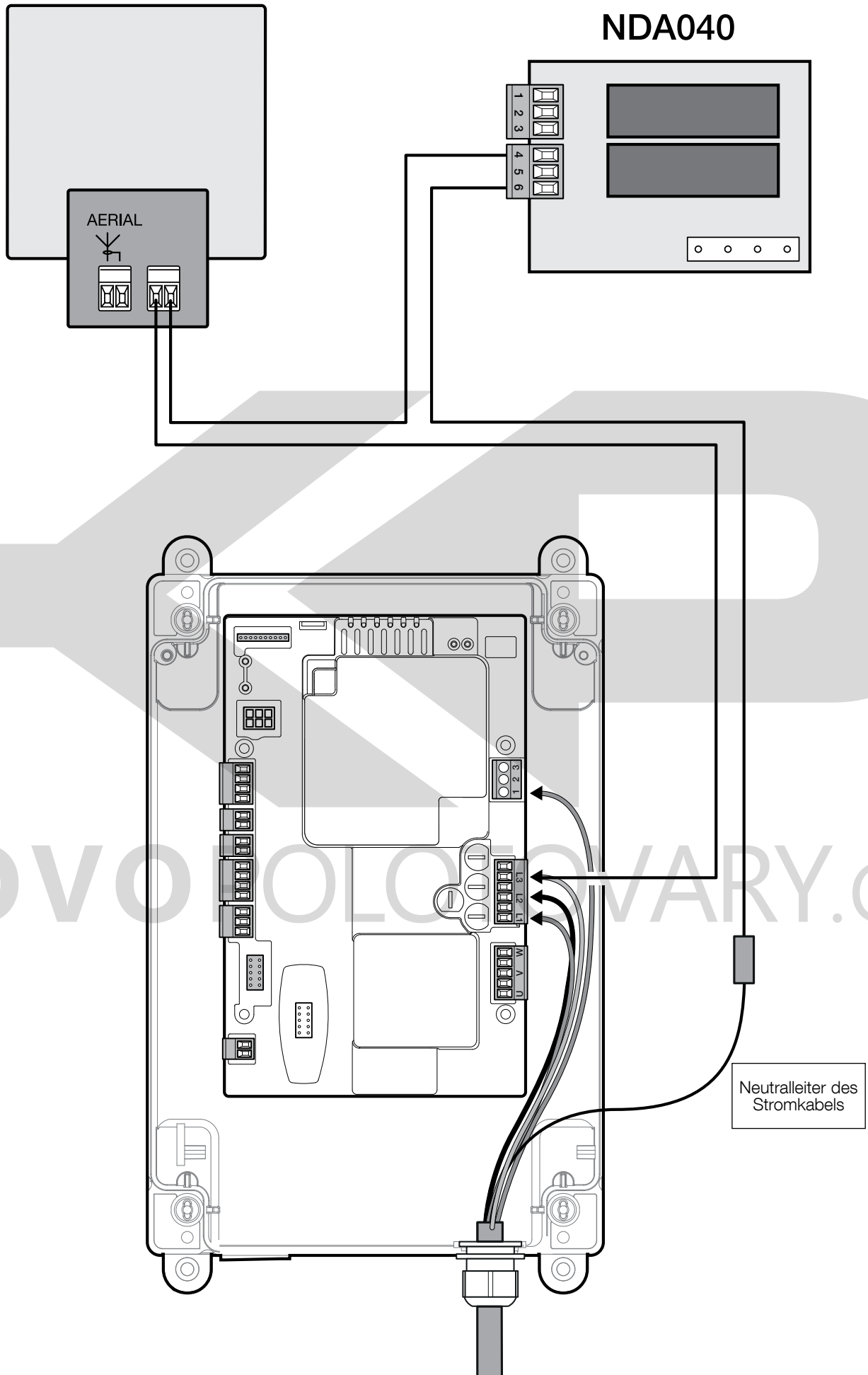
Anmerkung 7 – Der Anschluss einer mit 230 V AC ist möglich. Zum Anschluss siehe Abb. A.

ACHTUNG! – Die verwendeten Kabel müssen der Installationsumgebung gerecht werden.

Nach Herstellung der elektrischen Verbindungen bitte Kapitel 7 (DPRO500) beachten, in dem die Vorgehensweisen zum erstmaligen Einschalten, zur Erkennung der Sicherheitseinrichtungen und der Endschalter erläutert sind.

A

DE



NDA040

AERIAL

Neutraleiter des
Stromkabels

4 ABNAHME UND INBETRIEBNAHME

Die Phasen der Abnahmeprüfung und Inbetriebnahme sind bei der Realisierung des Antriebs die wichtigsten, um eine maximale Sicherheit zu gewährleisten. Die Abnahmeprüfung kann auch dazu verwendet werden, um in regelmäßigen Abständen eine Funktionsprüfung der einzelnen Antriebskomponenten durchzuführen.

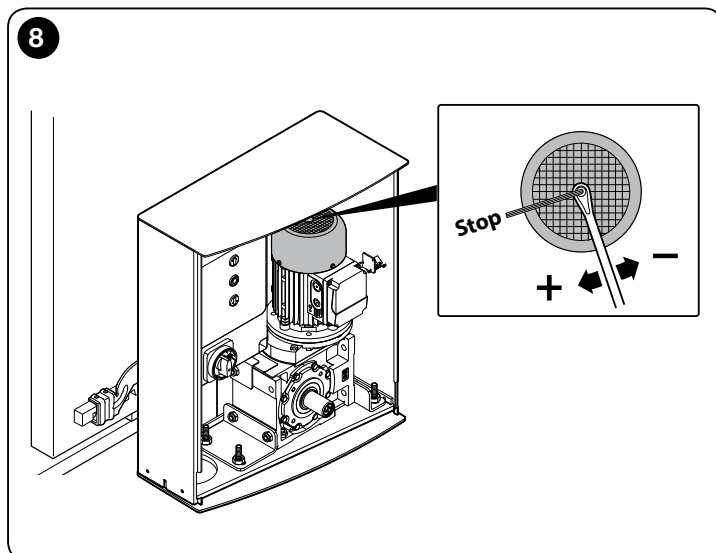
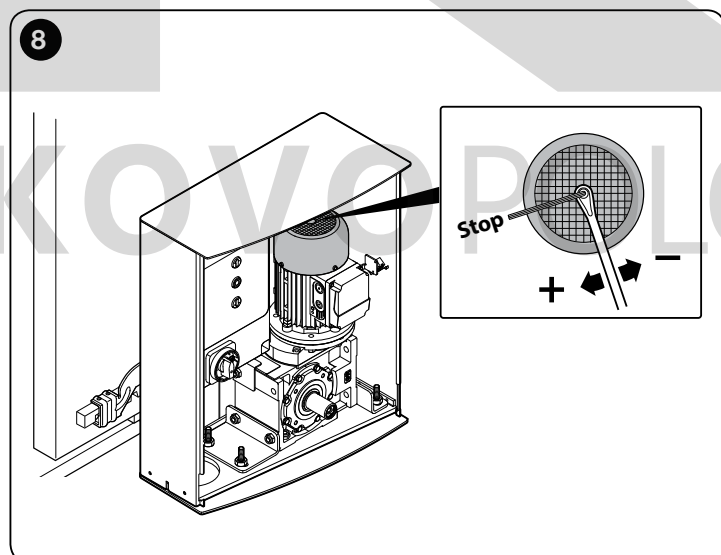
Sie müssen durch erfahrenes Fachpersonal ausgeführt werden, das die erforderlichen Prüfungen entsprechend der bestehenden Risiken wählt und die Einhaltung der gesetzlichen Bestimmungen und Vorschriften überprüft. Dies gilt insbesondere in Bezug auf die Anforderungen der Norm EN 12445, welche die Prüfverfahren für Torantriebe definiert. Die Zusatzvorrichtungen müssen einer speziellen Abnahmeprüfung unterzogen werden, sowohl in Bezug auf die Funktionalität als auch in Bezug auf das ordnungsgemäße Zusammenwirken mit der Steuerungseinheit (siehe Bedienungshandbuch der einzelnen Vorrichtungen).

4.1 - Abnahmeprüfung

Die im Folgenden beschriebene Abfolge der für die Abnahmeprüfung vorgesehenen Tätigkeiten bezieht sich auf eine typische Anlage (**Abb. 2**):

- 1 Sicherstellen, dass alle Anweisungen des Abschnitts „Hinweise zur Installation“ rigoros eingehalten werden.
- 2 Mithilfe der Steuerungsvorrichtungen (Sender, Bedientaste, Schlüsselwahlschalter etc.) das Schließen, Öffnen und Stoppen des Tors testen; prüfen, ob die Torbewegung wie vorgesehen erfolgt. Es empfiehlt sich, mehrere Tests durchzuführen, um die Bewegung des Tors zu beurteilen und eventuelle Montage- und Einstellfehler festzustellen sowie besondere Reibungsstellen zu erkennen.
- 3 Alle Sicherheitsvorrichtungen der Anlage (Fotozellen, Schalleisten usw.) einzeln auf ordnungsgemäße Funktion prüfen.
- 4 Falls die durch die Bewegung des Tors verursachten Gefahrensituationen durch Aufprallkraftbegrenzung beschränkt wurden, muss die Kraft nach den Vorschriften der Norm EN 12445 gemessen werden.
- 5 Sicherstellen, dass der Anhalteweg des Torflügels 2-3 cm beträgt, andernfalls die mechanische Bremse wie folgt einstellen (**Abb. 8**):
 - a. Mütter in der Motorwelle für etwa eine halbe Umdrehung im Uhrzeigersinn drehen lassen;
 - b. Sollte eine halbe Umdrehung noch nicht ausreichend sein, die Mutter noch etwas mehr aufschrauben;
 - c. Darauf achten, die Mutter nicht zu fest anzuziehen, damit der Elektromotor nicht völlig blockiert wird.

⚠ Vor dem Einstellen der mechanischen Bremse ist die Stromversorgung unbedingt auszuschalten, indem der Hauptschalter in der Steuerungseinheit auf „OFF“ gestellt wird.



DE

5 EINGEBAUTES STEUERGERÄT DPRO500



⚠ WICHTIG!

Lesen Sie vor Ausführung von Tätigkeiten oder Verfahren gleich welcher Art die allgemeinen Hinweise (S. 1) sowie die Einsatzbeschränkungen (Abschnitt 6.2) sorgfältig durch

5.1 - Produktbeschreibung und einsetzweck

Die Steuerungseinheit **DPRO500** ist für die Steuerung elektromechanischer Antriebe für Tore, Sektionaltore oder Rollläden bestimmt.

ACHTUNG! – Jede andere Verwendung als die hier beschriebene und der Gebrauch des Geräts unter abweichenden Umgebungsbedingungen sind als unsachgemäß anzusehen und verboten!

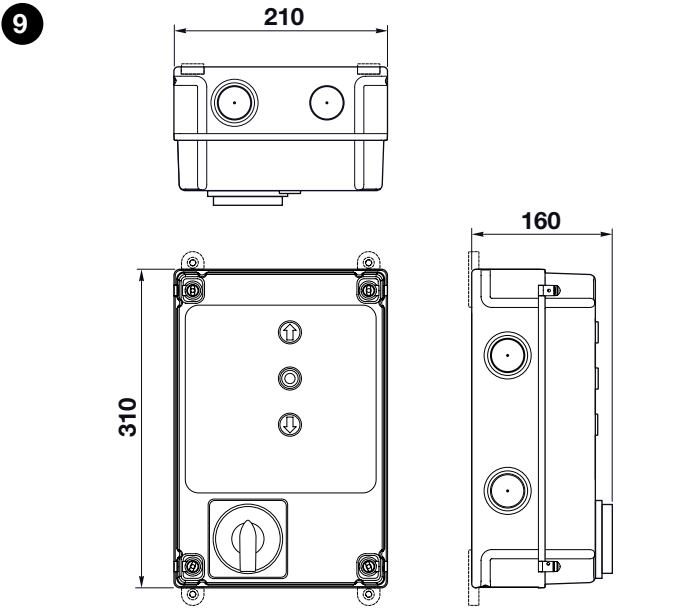
Die Steuerungseinheit kann an alle gewöhnlichen Sicherheitsvorrichtungen angeschlossen werden. Für das Öffnen und Schließen eines Tors reicht es aus, die spezielle, auf der Abdeckung installierte Taste bzw. die externe Taste zu drücken bzw. diese über Funkempfänger zu betätigen.

6 INSTALLATION

6.1 - Überprüfungen vor der Installation

Vor Installationsbeginn muss geprüft werden, ob Komponenten des Produktes beschädigt und das gewählte Modell und die Umgebung für die jeweilige Installation geeignet sind:

- Vergewissern Sie sich, dass das zu verwendende Material in optimalem Zustand und für den vorgesehenen Verwendungszweck geeignet ist.
- Vergewissern Sie sich, dass die Verwendungsbedingungen sich innerhalb jener Grenzwerte befinden, die bei den Einsatzbeschränkungen des Produkts (Absatz 6.2) bzw. im Abschnitt „Technische Merkmale des Produkts“ angegeben sind.
- Vergewissern Sie sich, dass die zur Installation gewählte Umgebung mit dem Gesamtplatzbedarf des Produkts kompatibel ist (**Abb. 9**).
- Vergewissern Sie sich, dass die für die Installation des Produkts gewählte Oberfläche tragfähig ist und eine stabile Befestigung gewährleisten kann.
- Vergewissern Sie sich, dass der Befestigungsbereich keinen Überschwemmungen ausgesetzt werden kann; nehmen Sie gegebenenfalls die Montage in angemessenem Abstand zum Boden vor.
- Vergewissern Sie sich, dass genug Platz vorhanden ist, um einen bequemen und sicheren Zugang zu gewährleisten.
- Vergewissern Sie sich, dass alle zu verwendenden Stromkabel dem Typ entsprechen, der in Tabelle 1 aufgelistet ist.
- Vergewissern Sie sich, dass am Antrieb die mechanischen Anschläge sowohl für den Öffnungs- als auch für den Schließvorgang vorhanden sind.



6.2 - Einsatzbeschränkungen des Produkts

Das Produkt darf ausschließlich so verwendet werden, wie dies in der nachfolgenden Tabelle spezifiziert ist:

Spannungsversorgung der Steuerungseinheit	Motortyp*
Dreiphasig 3x400 V AC - 50/60 Hz	Dreiphasig 3x400 V AC – 50/60 Hz mit Nice Encoder oder mechanischen Endschaltern
Einphasig 1x230 V AC - 50/60 Hz	Einphasig 1x230 V AC – 50/60 Hz mit Nice Encoder oder mechanischen Endschaltern

(*) Unter Beachtung der entsprechenden Einsatzbeschränkungen.

Für Einphasenmotoren siehe Abschnitt 7.2.

⚠ ACHTUNG! – Die in diesem Handbuch beschriebene Steuerungseinheit darf in Bereichen, in denen Explosionsgefahr besteht, nicht verwendet werden.

Wichtig – Bevor Sie mit der Installation beginnen, sollten Sie alle für die Anlage notwendigen Stromkabel mithilfe von **Tabelle 1** - „Technische Merkmale der Stromkabel“ vorbereiten.

⚠ Achtung! – Beachten Sie bei der Installation der Leitungen für die Durchführung der Stromkabel und bei der Einführung der Kabel in das Gehäuse der Steuerungseinheit, dass sich an den Verbindungsleitungen wegen möglicher Wasserrückstände in den Abzweigschächten Kondenswasser im Inneren der Steuerungseinheit bilden kann, wodurch die elektronischen Schaltkreise beschädigt werden können.

6.3 - Installation der Steuerungseinheit

Gehen Sie zur Befestigung der Steuerungseinheit wie folgt vor:

- 01. Öffnen des Gehäuses der Zentrale:** Lösen Sie die entsprechenden Schrauben, wie in **Abb. 10-A** / **Abb. 10-B** gezeigt;
- 02.** Bereiten Sie die Öffnungen zur Durchführung der Stromkabel der Steuer- und Meldeeinrichtungen vor. Zu diesem Zweck, und um die Erhaltung der IP-Schutzart zu gewährleisten, empfehlen wir die Verwendung eines

TABELLE 1 - Technische Merkmale der Stromkabel

Anschluss	Kabeltyp	Höchstzulässige Länge
Kabel für STROMVERSORGUNG STEUERUNGSEINHEIT - dreiphasig - einphasig	4 x 1 mm ² 3 x 0,75 mm ²	5 m (Anmerkung 1) 2 m (Anmerkung 1)
Kabel für MOTOR	für Nice Getriebemotoren, Spezialkabel, als Zubehör erhältlich. für andere Marken beim Hersteller des Getriebemotors anfragen	5 - 7 - 11 m
Kabel für BLINKLEUCHE mit Antenne	2 x 1 mm ² (für Blinkleuchte 230 V AC) abgeschirmtes Kabel Typ RG58 (für Antenne)	10 m
Kabel für FOTOZELLEN	4 x 0,5 mm ²	10 m
Kabel für SCHLÜSSEL-WAHLSCHALTER	2 Kabel 2 x 0,25 mm ²	10 m (Anmerkung 2)
SPIRALKABEL für Schaltleiste	Nice Spiralkabel als Zubehör erhältlich	50 m

Anmerkung 1 – Falls die Länge des Netzkabels die maximal zulässige Länge überschreitet, muss ein Kabel mit einem größeren Querschnitt verwendet werden

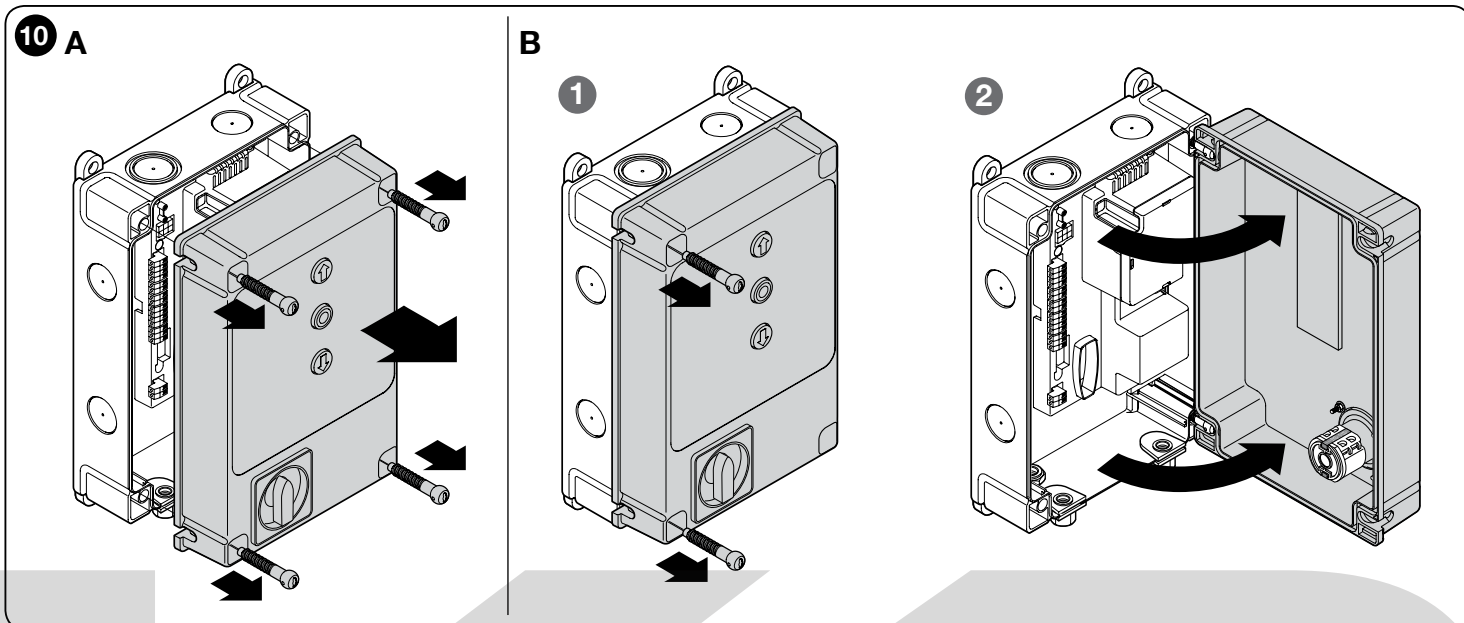
Anmerkung 2 – Diese 2 Kabel können durch ein einzelnes Kabel mit 4 x 0,5 mm² ersetzt werden

ACHTUNG! – Die verwendeten Kabel müssen der Installationsumgebung gerecht werden.

Spezialwerkzeugs (z. B. Spiralfräser) für jene Positionen, die im unteren Bereich des Gehäuses vorgesehen sind. Gegebenenfalls können auch die seitlichen Kabeleingänge verwendet werden, jedoch nur mit geeigneten Verbindungsstücken für Rohrleitungen;

03. Nun können sämtliche elektrische Anschlüsse vorgenommen werden: siehe Kapitel 7.

Zur Installation der anderen in der Antriebsanlage vorhandenen Vorrichtungen, siehe jeweilige Bedienungshandbücher.



7 ELEKTRISCHE ANSCHLÜSSE

ACHTUNG!

- Alle elektrischen Anschlüsse müssen bei ausgeschalteter Stromversorgung hergestellt werden;
- Die Anschlussarbeiten dürfen nur von qualifiziertem Personal ausgeführt werden.

– An der Stromversorgungsleitung ist eine Vorrichtung notwendig, die die vollständige Trennung des Antriebs vom Netz gewährleistet. Der Kontaktöffnungsabstand der Abschaltvorrichtung muss die vollständige Abschaltung unter den in der Hochspannungs-Kategorie III festgelegten Bedingungen und in Übereinstimmung mit den Installationsbestimmungen gewährleisten. Bei Bedarf garantiert diese Vorrichtung ein schnelles und sicheres Abschalten der Spannungsversorgung. Sie muss daher in Sichtweite des Antriebs angebracht sein. Falls sie entfernt und an nicht sichtbarer Stellung angebracht ist, muss sie – um Gefahren zu vermeiden – über ein System verfügen, das eine unbeabsichtigte, nicht autorisierte Einschaltung der Spannungsversorgung blockiert. Die Abschaltvorrichtung ist nicht im Lieferumfang des Produkts enthalten.

– Wahl der Versorgungsspannung:

Die Steuerungseinheit kann sowohl mit dreiphasiger als auch mit einphasiger Stromversorgung betrieben werden (siehe Anschlusspläne), und zwar mit 400 V bzw. 230 V.

Die Standardeinstellung für die Versorgungsspannung ist 400 V dreiphasig. Zum Einstellen der einphasigen Stromversorgung mit 230 V siehe Anleitung in Kapitel 7.2

7.1 - Anschluss des Dreiphasenstromkabels

Zum Ausführen des elektrischen Anschlusses siehe **Abb. 11**. An die Klemmen L1, L2, L3 und an der PE-Klemme ist ein CEE-Stecker zu 16A anzuschließen.

7.2 - Anschluss des Einphasenstromkabels

Zum Ausführen des elektrischen Anschlusses siehe **Abb. 12**. An die Klemmen L1, L3 sowie an die PE-Klemme ist ein Schukostecker anzuschließen.

7.3 - Wechseln der Stromversorgung mittels Jumper

Die Stromversorgung der Steuerungseinheit kann auch wie folgt mittels Jumper geändert werden (**Abb. 13**)

01. Oberen Deckel entfernen
02. Jumper (Standardposition 3x400V) mit einer Schnabelzange herausziehen
03. Jumper einsetzen (1x230V)
04. Oberen Deckel wieder einsetzen

7.4 - Beschreibung der elektrischen Anschlüsse (Abb. 14): Versorgung, Sicherheitsvorrichtungen, Steuerung und Zubehör

An den Eingängen 8, 9, 10, 11 können Steuerungsvorrichtungen mit Kontakten des Typs Schließerkontakt (NO) oder Öffnerkontakt (NC) angeschlossen werden. Gegebenenfalls kann auch einer dieser Eingänge bzw. eine Kombination

derselben neben den Eingängen STOP/ALT genutzt werden, um z. B. ein externes Bedientastenmodul oder einen mit der Decke verbundenen Seilswitcher anzuschließen.

PUSH BUTTONS - Eingang für den Anschluss des Bedientastenmoduls auf der Gehäuseabdeckung.

ENCODER - Eingang für den Anschluss der Verkabelung des elektronischen Endschalters (Nice Encoder). In dieser Version nicht verwendbar.

COMMON (8) - Eingang mit 24 V DC, der als Allgemeinleiter für die Eingänge OPEN, CLOSE und ING1 und als Pluspol für die Spannung an den Nebeneinrichtungen fungiert.

OPEN (9) - Eingang für Vorrichtungen, die nur die Öffnungsbewegung auslösen. Es können Schließerkontakte (NO) angeschlossen werden.

CLOSE (10) - Eingang für Vorrichtungen, die nur die Schließbewegung auslösen. Es können Schließerkontakte (NO) angeschlossen werden.

ING1-photo- (11) - Eingang mit Öffnerkontakt (NC) für Vorrichtungen, die die Bewegung des Antriebs steuern. Wenn dieser Eingang mit der Nice Programmierungseinheit Oview programmiert wird, können die folgenden Betriebsmodi verwendet werden:

- Schrittbetrieb (PP)
- Teilöffnung
- Öffnen
- Schließen
- Foto (Standardwert)
- Foto 1
- Halt beim Öffnen
- Halt beim Schließen

Anweisungen zur Programmierung und Beschreibung der verfügbaren Funktionen siehe Oview-Funktionsdatenblätter für DPR0500.

ALT - Eingang für Vorrichtungen, die den laufenden Vorgang bzw. die laufende Bewegung blockieren; zum Anschluss von Öffnerkontakten (NC).

SAFE - Eingang für den Anschluss der thermischen Schutzvorrichtung des Motors. **ACHTUNG!** - Wird nur für Motoren mit mechanischen Endschaltern verwendet. Bei Motoren mit elektronischem Endschalter „nicht angeschlossen“ lassen.

LIMIT SWITCH - Eingang für den Anschluss der mechanischen Endschalter.

- (1) Allgemein Endschalter
- (2) Öffnung Endschalter
- (3) Schließung Vorendschalter
- (4) Schließung Endschalter

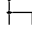
STOP - Eingang für den Anschluss von resistiven (8k2) oder optischen Schaltleisten (OSE), wie im Folgenden beschrieben (**Abb. 15**):

- OSE-Anschluss:
- 5 → Plus 12V DC (+) (braune Kabel)
 - 6 → Signal (S) (grüne Kabel)
 - 7 → Minus GND (-) (weiße Kabel)

8k2-Anschluss:

- Den Widerstand mit 8,2 kΩ zwischen die Klemme 6 (Signal - S) und 7 (Minus - GND) schließen

IBT4N - Eingang für den Anschluss der Programmierungseinheit Oview mit dem dazugehörigen IBT4N-Adapter. **ACHTUNG** - bevor Sie die Programmierungseinheit anschließen/trennen, die Stromversorgung trennen.

ANTENNE  - Eingang für den Anschluss der Antenne für Funkempfänger (Anmerkung: die Antenne ist in die Nice-Blinkleuchten LUCY B, MBL und MLBT eingebaut).

OUT (STECKVERBINDER FÜR NDA040) - Steckverbinder für Zubehörplatine NDA040, die zwei Ausgänge mit reinen Kontakten mitbringt. Diese Ausgänge können mit der Nice Oview-Programmierungseinheit entsprechend programmiert werden. Für Anweisungen zur Programmierung und Beschreibung der verfügbaren Funktionen, lesen Sie im Handbuch der Zubehörplatine NDA040 nach.

MOTOR - Ausgang für den Anschluss des Dreiphasen- und Einphasenmotors. Für Einphasenmotoren:
 U - allgemein
 V - öffnet
 W - schließt

LINE - Eingang für den Anschluss der Stromversorgung.
 L1-L2-L3: DREIPHASIGER Anschluss
 L1-L3: EINPHASIGER Anschluss

 **PE** - Eingang für den Erdungsanschluss für die Steuerungseinheit und die Motoren.

WICHTIG!

Vom Anschluss einer Vorrichtung welcher Art auch immer bzw. eines nicht ausdrücklich in diesem Bedienungshandbuch angeführten Zubehörs wird **ABGERATEN**.

Der Hersteller übernimmt keine Haftung für etwaige Schäden, die durch eine unsachgemäße Verwendung der diversen Vorrichtungen des Systems (d. h. eine Verwendung, die nicht den Bestimmungen des vorliegenden Bedienungshandbuchs entspricht), verursacht wurden.

Für weitere Informationen wenden Sie sich bitte an den NICE-Kundendienst.

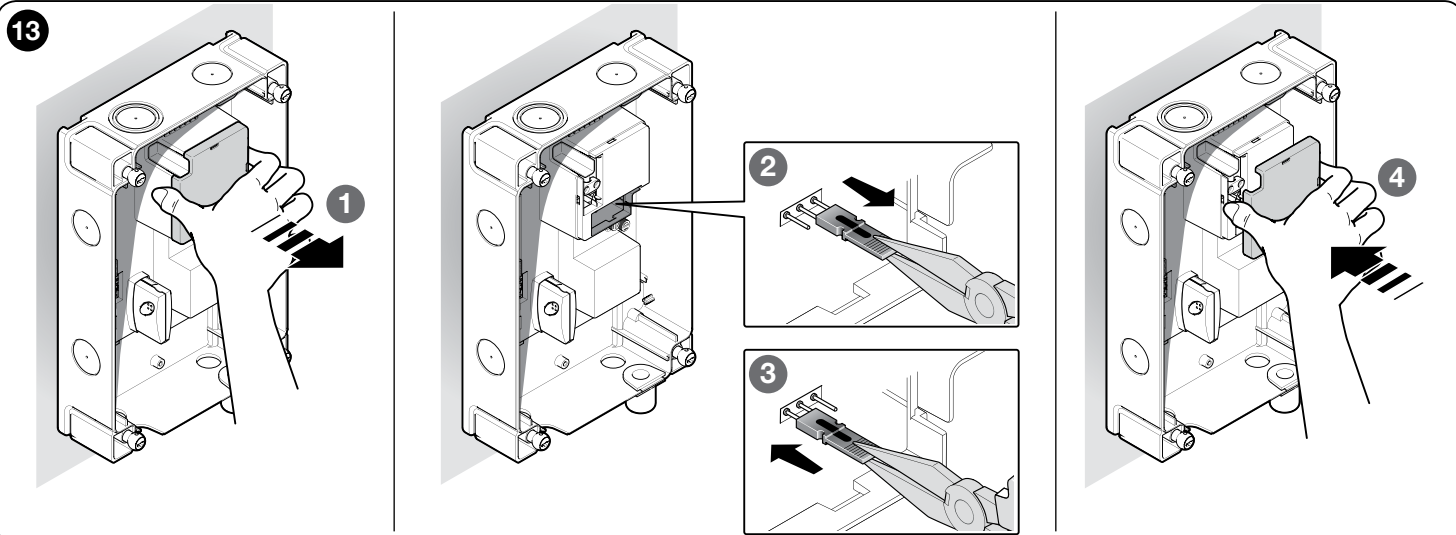
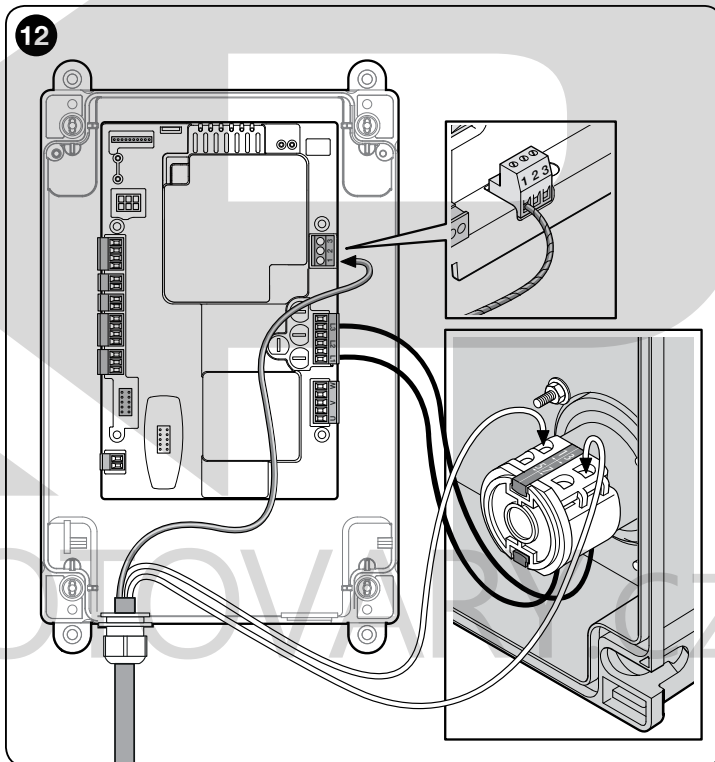
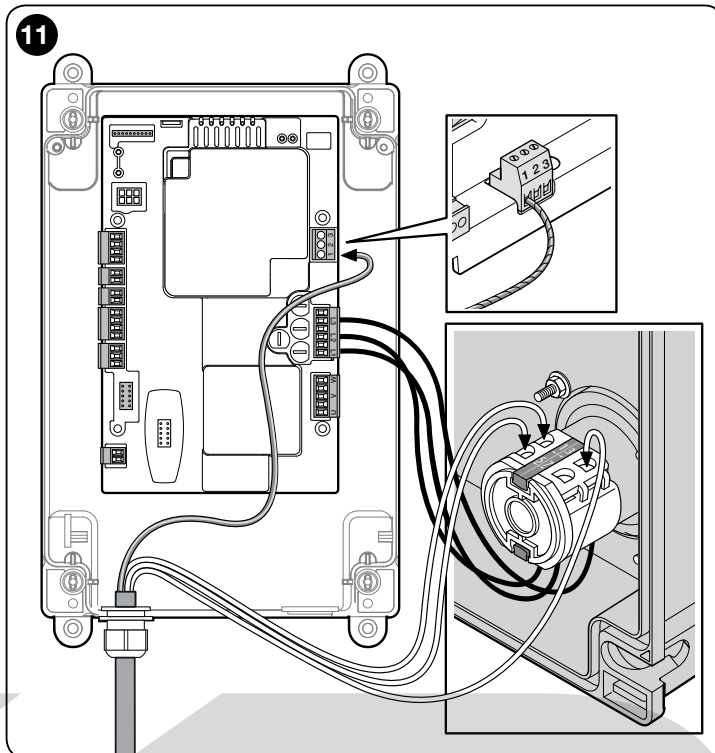
7.5 - Elektrische Anschlüsse der Steuereinheit



ACHTUNG! - Alle elektrischen Anschlüsse müssen bei ausgeschalteter Stromversorgung ausgeführt werden.

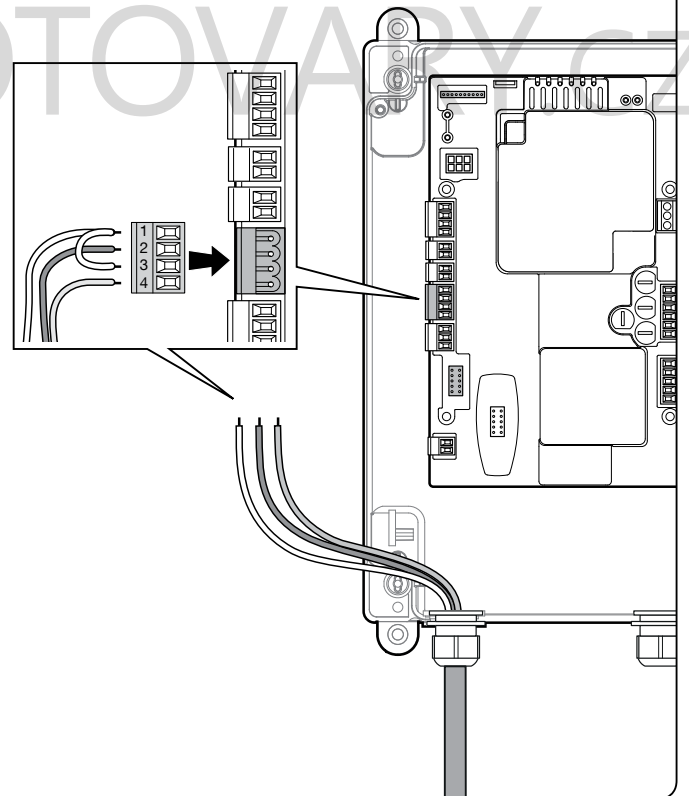
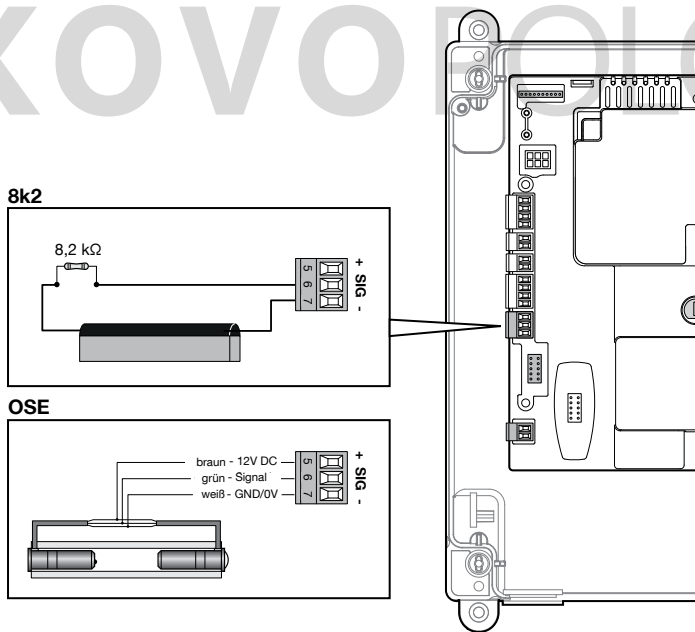
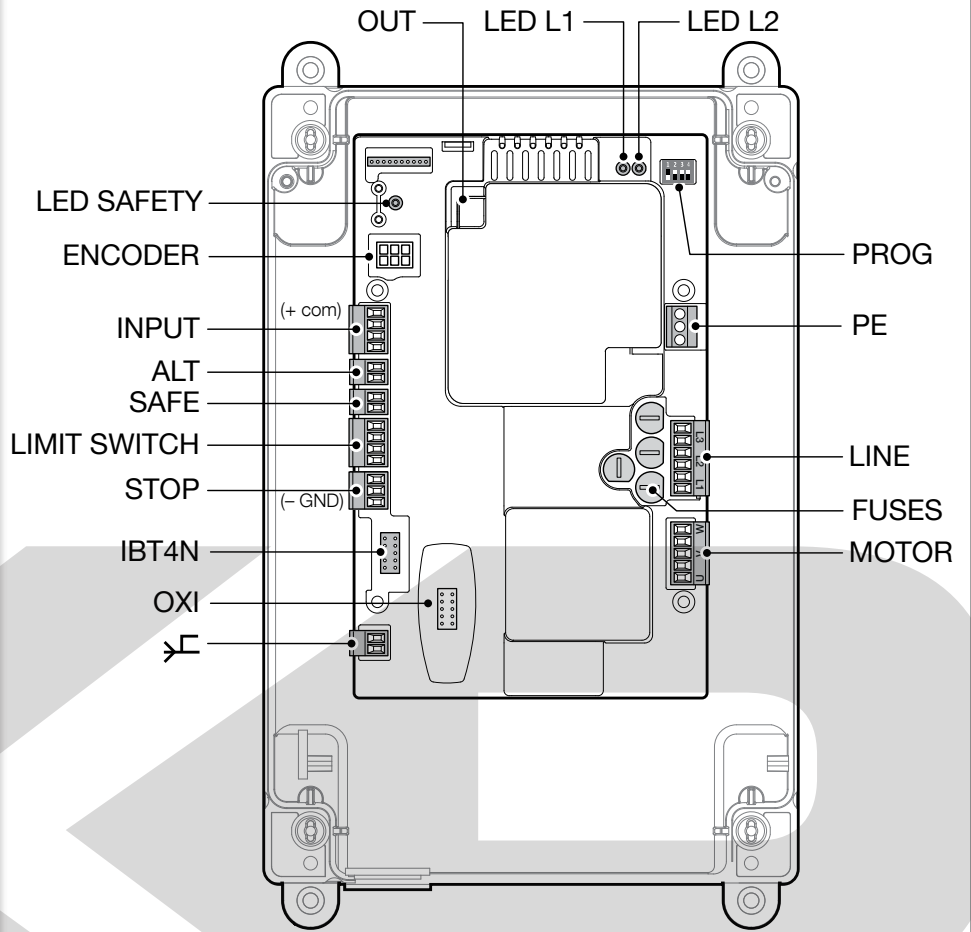
Nehmen Sie nach Befestigung des Gehäuses der Steuerungseinheit und Anbringung der Öffnung für die Durchführung der Stromkabel (siehe Absatz 6.3) die elektrischen Anschlüsse auf folgende Weise vor:

- 01.** Zuerst das Stromversorgungskabel anschließen:
 - für die **dreiphasige** Leitung siehe Abschnitt 7.1 und **Abb. 11**
 - für die **einphasige** Leitung siehe Abschnitt 7.2 und **Abb. 12**
- 02.** Schließen Sie dann das vom Motor kommende Stromkabel an:
 - Motor mit mechanischem Endschalter (**Abb. 16**)
- 03.** Schließen Sie dann die Stromkabel der diversen vorhandenen Zusatzvorrichtungen an. Siehe dazu **Abb. 13** und Absatz 7.3.

Hinweis – Für einen bequemerem Anschluss der Kabel können die Klemmen aus ihren Sitzen genommen werden.



LED SAFETY	= LED Sicherheitskette
LED L2	= LED OK (grün)
LED L1	= LED Warning (rot)
OUT	= Einschubslot für die Zubehörplatine NDA040 zur Erweiterung der Ausgänge
PROG	= DIP-Schalter zur Programmierung
ENCODER	= elektronischer Endschalter
INPUT	= externe Eingänge (Allgemein, Öffnen, Schließen, Ing1 (PHOTO)) 8 - com (+24 V DC Allgemein) 9 - open (Öffnen) 10 - close (Schließen) 11 - photo (ing1)
ALT	= ALT-Klemme
SAFE	= nur für Motoren mit mechanischem Endschalter (bei Motoren mit elektronischem Endschalter „nicht angeschlossen“ lassen)
LIMIT SWITCH	= mechanischer Endanschlag
STOP	= STOP-Klemme für 8K2-Sicherheitsleiste oder OSE verwendet 5 - Plus (+) Schaltleiste 6 - Schaltleistungssignal 7 - Minus GND (-)
IBT4N	= Steckverbinder für IBT4N-Schnittstelle (nicht mitgeliefert)
OXI	= Steckverbinder für den Anschluss der Funkempfänger mit SM-Steckleiste (SMXI/OXI)
	= Antenne
	= Erdanschluss
LINE	= Steckverbinder zum Anschluss der dreiphasigen oder einphasigen Versorgungsleitung
FUSES	= F1, F2, F3, F4: siehe „Technische Merkmale“
MOTOR	= Motor



7.6 - Eingang STOP SAFETY EDGE

Die Funktion des Eingangs SAFETY EDGE besteht darin, ein sofortiges Anhalten des laufenden Bewegungsvorgangs gefolgt von einer kurzen Bewegungsumkehr zu bewirken.

An diesen Eingang können Vorrichtungen wie optische Schalteisen (OSE) bzw. Vorrichtungen mit Ausgang mit konstantem Widerstand 8.2 kΩ angeschlossen werden.

Die Steuerungseinheit erkennt in der Einlernphase den Typ der angeschlossenen Vorrichtung und bewirkt einen „STOP“, sobald eine Änderung in Bezug auf den eingelernten Status eintritt.

Mit entsprechenden Maßnahmen kann am Eingang STOP SAFETY EDGE mehr als eine Vorrichtung auch anderen Typs angeschlossen werden:

- NA-Vorrichtungen: den Widerstand mit 8,2 kΩ parallel zur Vorrichtung schalten;
- NC-Vorrichtungen: den Widerstand mit 8,2 kΩ in Reihe zur Vorrichtung schalten;
- eine „Reihenschaltung“ mehrerer NC-Vorrichtungen untereinander ohne Mengenbeschränkung ist möglich;
- falls mehrere Vorrichtungen vorhanden sind, müssen alle „in Kaskade“ mit einem einzigen Endwiderstand von 8,2 kΩ geschaltet werden;
- es ist auch die Schaffung einer Kombination des Typs NA und NC möglich, indem man die beiden Kontakte „parallel“ anordnet. In diesem Fall ist es erforderlich, den NC-Kontakt mit einem Widerstand von 8,2 kΩ in Serie zu schalten; dadurch wird auch die Kombination von drei Vorrichtungen ermöglicht: „NA“, „NC“ und 8,2 kΩ.

7.7 - Anschluss Funkempfänger

Die Steuerungseinheit verfügt über eine SM-Steckverbindung für den Anschluss eines Funkempfängers (optionales Zubehör, nicht im Lieferumfang enthalten) Modell SMXI, SMXIS, OXI bzw. OXIT und ähnliche.

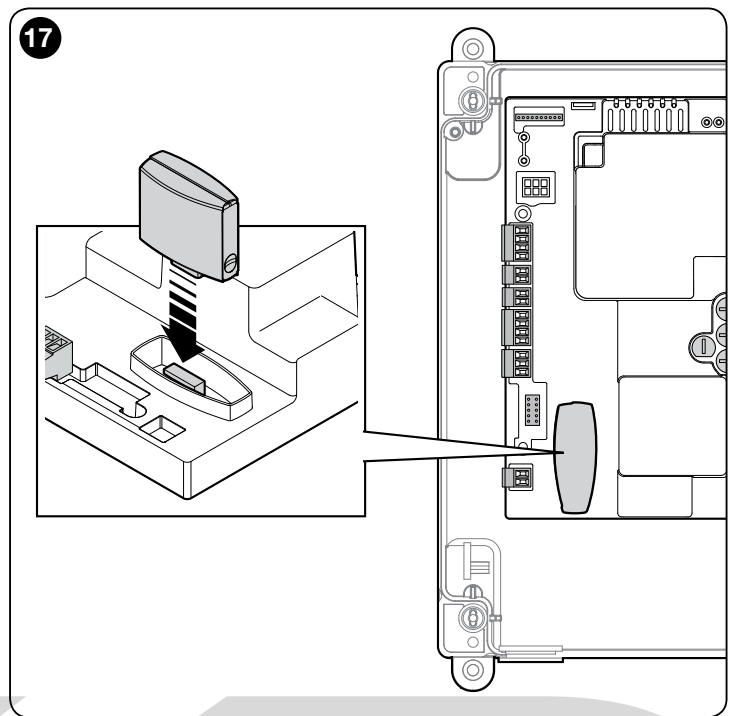
Zur Einsetzung des Funkempfängers ist es erforderlich, den Netzstecker der Steuerungseinheit zu ziehen, die Spannungszufuhr zu unterbinden und den Empfänger wie in **Abb. 17** gezeigt einzusetzen.

In der Tabelle 2 sind die Aktionen angeführt, die von der Steuerungseinheit je nach aktivierten Ausgängen bzw. je nach den vom Funkempfänger ausgesendeten Steuerungsbefehlen ausgeführt werden.

Hinweis - Für alle weiteren Informationen siehe Bedienungshandbuch des Empfängers.

TABELLE 2

SMXI-, SMXIS-Empfänger in „Modus 1 oder 2“	
Ausgang	Beschreibung
Ausgang Nr. 1	Schrittbetrieb (PP)
Ausgang Nr. 2	Teilöffnung; Werkseinstellung: Öffnung bis zur Laufhälfte (kann in der Phase der Laufhöhen erfassung bzw. mithilfe der Programmierungseinheit Oview verändert werden)
Ausgang Nr. 3	Öffnen
Ausgang Nr. 4	Schließen
Empfänger OXI, OXIT programmiert auf „Modus 2 erweitert“	
Steuerungsbefehl	Beschreibung
Steuerungsbefehl Nr. 1	Schrittbetrieb (PP)
Steuerungsbefehl Nr. 2	Teilöffnung; Werkseinstellung: Öffnung bis zur Laufhälfte (kann in der Phase der Laufhöhen erfassung bzw. mithilfe der Programmierungseinheit Oview verändert werden)
Steuerungsbefehl Nr. 3	Öffnen
Steuerungsbefehl Nr. 4	Schließen
Steuerungsbefehl Nr. 5	Stop
Steuerungsbefehl Nr. 6	Schrittbetrieb (PP) Wohnblockbetrieb
Steuerungsbefehl Nr. 7	Schrittbetrieb (PP) hohe Priorität
Steuerungsbefehl Nr. 8	Teilweise öffnen 2
Steuerungsbefehl Nr. 9	Teilweise öffnen 3
Steuerungsbefehl Nr. 10	Öffnen und Antrieb verriegeln
Steuerungsbefehl Nr. 11	Schließen und Antrieb verriegeln
Steuerungsbefehl Nr. 12	Antrieb verriegeln
Steuerungsbefehl Nr. 13	Antrieb entriegeln
Steuerungsbefehl Nr. 14	Timer für zusätzliche Beleuchtung
Steuerungsbefehl Nr. 15	Zusätzliche Beleuchtung AN/AUS



7.8 - Ersteinschaltung und Überprüfung der Anschlüsse

Führen Sie nach Einschaltung der Stromversorgung der Steuerungseinheit die folgenden Überprüfungen durch:

- Vergewissern Sie sich, dass die grüne Led L2 (bei den DIP-Schaltern) mit einer Frequenz von einem Blinksignal pro Sekunde gleichmäßig blinkt.
- Wenn in der Anlage Fotozellen vorhanden sind, vergewissern Sie sich, dass ihre Led-Anzeigen blinken (RX); die Art des Blinkens sagt nichts aus, da dies von anderen Faktoren abhängt.
- Überprüfen Sie, dass die rote Led LED SAFETY neben dem Steckverbinder des Kabels der Tastatur dauerhaft leuchtet (siehe Tabelle Diagnostik Led Safety, Abschnitt 10.2).

Falls wenigstens eine von diesen Überprüfungen die Anforderungen nicht erfüllt, ist es erforderlich, die Steuerungseinheit von der Stromversorgung zu trennen und die zuvor hergestellten elektrischen Anschlüsse zu überprüfen.

7.9 - Vollständige Löschung des Speichers der Steuerungseinheit

Es ist möglich, alle in der Steuerungseinheit gespeicherten Daten zu löschen, und diese in den Ausgangsstatus mit den werkmäßigen Werten zurückzusetzen.

01.	Dip-Schalter 1, 2, 3, 4 auf ON stellen = die rote und die grüne Led beginnen schnell zu blinken	
02.	STOP-Taste 3 Sek. lang gedrückt halten, bis die grüne und die rote Led dauerhaft leuchten	
03.	STOP-Taste loslassen	
04.	Nun führt die Steuerungseinheit einen RESET durch = die grüne und die rote Led beginnen schnell zu blinken	
05.	Dip-Schalter 1, 2, 3, 4 auf OFF stellen	

7.10 - Einlernung der Sicherheitsvorrichtungen und der Öffnungs- und Schließpositionen

Nach der Ersteinschaltung (Abschnitt 7.8) ist es vor der Einstellung der Öffnungs- und Schließpositionen des Tors erforderlich, die Erkennung der am Eingang „STOP Safety Edge“ angeschlossenen Sicherheitsvorrichtungen durch die Steuerungseinheit durchzuführen.

ACHTUNG! - Während der Einlernungsphase muss mindestens eine Sicherheitsvorrichtung an die Steuerungseinheit angeschlossen sein.



01.	Dip-Schalter 1 auf ON stellen = - grüne Led beginnt schnell zu blinken - rote Led ist aus	
02.	STOP-Taste solange gedrückt halten, bis die rote Led dauerhaft leuchtet (nach etwa 3 Sek.)	
03.	STOP-Taste loslassen	

Dieser Vorgang muss wiederholt werden, wenn eine Änderung an den Vorrichtungen vorgenommen wird, die an die Klemme „STOP Safety Edge“ angeschlossen sind (zum Beispiel nachdem eine neue Vorrichtung an die Steuerungseinheit angeschlossen wurde).

Nach Einlernung der am Antrieb angeschlossenen Sicherheitsvorrichtungen ist es erforderlich, die Öffnungs- und Schließpositionen des Tors durch die Steuerung erfassen zu lassen.

ACHTUNG! - Der Einlernvorgang der Sicherheitsvorrichtungen und der Öffnungs- und Schließpositionen des Tors ist nacheinander und ohne Unterbrechungen durchzuführen. Es ist nicht möglich, die Einlernung der Sicherheitsvorrichtungen zuerst und die Einlernung der Positionen später durchzuführen.

7.10.1 - Einlernung der Öffnungs- und Schließpositionen mit mechanischem Endschalter

Wie im Folgenden beschrieben, ist die Programmierung von 2 Positionen möglich:

Position	Bedeutung
Öffnung	Position der maximalen Öffnung. Wenn das Tor diese Position erreicht, hält es an.
Schließung	Position der maximalen Schließung. Wenn das Tor diese Position erreicht, hält es an.

Achtung! - Wenn die Drehrichtung nicht der eingestellten Richtung entspricht (Taste Open = Öffnungsrichtung) ist es erforderlich, die Anschlüsse „V“ und „W“ im Motorstecker zu vertauschen (Phaseninversion) (Abb. 18).

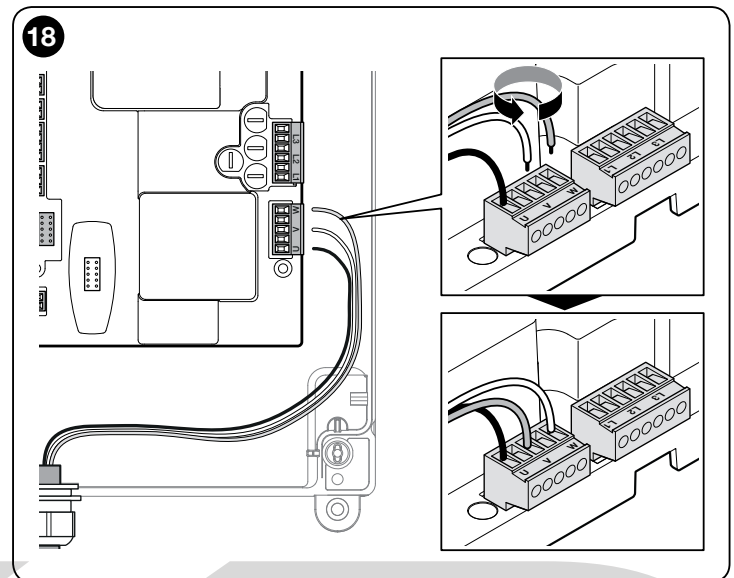
Gehen Sie für die Ausführung des Verfahrens wie folgt vor:

01.	DIP-Schalter 1 in OFF-Position bringen	
02.	Taste „Öffnen“ drücken, um das Tor in die Position der maximalen Öffnung zu bringen	
03.	Taste „Schließen“ drücken, um das Tor in die Position der maximalen Schließung zu bringen	

ACHTUNG! - Die Einlernungsphasen dürfen nicht unterbrochen werden. Falls dies trotzdem geschieht, muss das gesamte Einlernungsverfahren wiederholt werden. Wenn bei Beendigung der Einlernungsphase die rote Led 9-mal blinkt und nach einer Pause erneut 9-mal blinkt, ist

ein Fehler aufgetreten.

Wenn sie hingegen 3-mal blinkt und nach einer Pause erneut 3-mal blinkt, Fehler durch Drücken der Taste STOP zurücksetzen und Anschluss des Endschalters in Öffnung mit dem des Endschalters in Schließung an der Klemme LIMIT SWITCH vertauschen (Abb. 14).



Die Einlernungsphase der Positionen kann zu jedem Zeitpunkt auch nach der Installation wiederholt werden.

7.11 - Betriebsmodi

ACHTUNG! - Wurden die Funktionen der Tabelle 3 mit dem Oview-Programmierer eingestellt, müssen die Dip-Schalter auf OFF gestellt werden.

TABELLE 3				
DIP1	DIP2	DIP3	DIP4	Funktion
OFF	OFF	OFF	OFF	Bewegung Totmann-Modus
ON	x	OFF	OFF	Erfassung von Positionen und Status ALT-Eingang
OFF	ON	OFF	OFF	Drehrichtung des umgekehrten Encoders
OFF	x	OFF	ON	Industriemodus (öffnet halbautomatisch - schließt im Totmann-Modus), wenn Laufhöhe eingelernt wurde
OFF	x	ON	OFF	Halbautomatischer Modus, wenn Laufhöhe eingelernt wurde
OFF	x	ON	ON	Automatischer Modus mit einstellbarer Pausenzeit, wenn Positionen eingelernt wurden (zur Speicherung der Pausenzeit siehe Abschnitt 10.1.2 „Weitere Funktionen“)

7.12 - Programmierungseinheit Oview

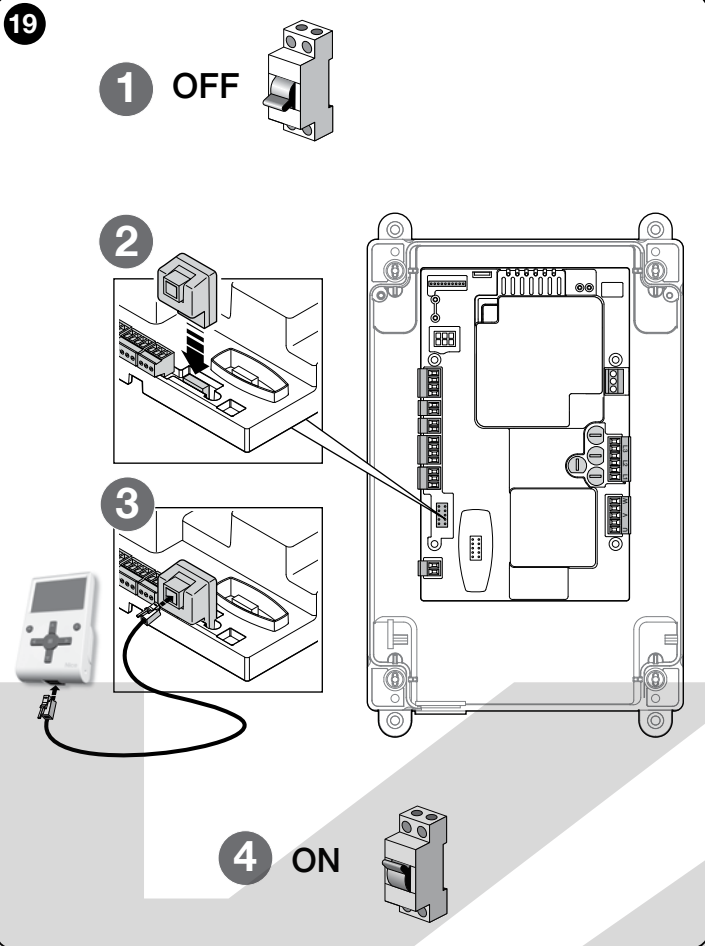
Die Programmierungseinheit „Oview“ ermöglicht eine vollständige und schnelle Abwicklung der Installation, Wartung und Diagnose des gesamten Antriebs. Oview kann über die Bus-Schnittstelle IBT4N bei Verwendung eines 4-adrigen Buskabels mit der Steuerungseinheit verbunden werden.

Um an den Anschluss BusT4 zu gelangen, muss das Gehäuse der Steuerung geöffnet werden. IBT4N-Steckverbinder an der vorgesehenen Stelle einstecken und dann die Programmierungseinheit Oview anschließen (Abb. 19).

Oview kann in einer Entfernung von maximal 100 Kabelmetern von der Steuerungseinheit verwendet werden; die Programmierungseinheit kann gleichzeitig an mehrere Steuerungseinheiten (bis zu 16) angeschlossen werden und kann auch während des normalen Betriebs des Antriebs angeschlossen bleiben. Bei der Arbeit mit Oview sind unbedingt die Anweisungen in der Oview-Bedienungsanleitung zu befolgen.

Wenn sich in der Steuerungseinheit ein Funkempfänger der Serie OXI befindet, ist es bei Verwendung von Oview möglich, auf die Parameter der im Empfänger gespeicherten Sender zuzugreifen. Für weitere Informationen siehe Oview-Bedienungsanleitung bzw. das auf der Seite www.niceforyou.com verfügbare Funktionsdatenblatt der Steuerungseinheit.

ACHTUNG! - Wurden die Funktionen der Tabelle 3 mit dem Oview-Programmierer eingestellt, müssen die Dip-Schalter auf OFF gestellt werden.



8 ABNAHME UND INBETRIEBNAHME

Die Phasen der Abnahmeprüfung und Inbetriebnahme sind bei der Realisierung des Antriebs die wichtigsten, um eine maximale Sicherheit zu gewährleisten. Die Abnahmeprüfung kann auch dazu verwendet werden, um in regelmäßigen Abständen eine Funktionsprüfung der einzelnen Antriebskomponenten durchzuführen.

Sie müssen durch erfahrenes Fachpersonal ausgeführt werden, das die erforderlichen Prüfungen entsprechend der bestehenden Risiken wählt und die Einhaltung der gesetzlichen Bestimmungen und Vorschriften überprüft. Dies gilt insbesondere in Bezug auf die Anforderungen der Norm EN 12445, welche die Prüfverfahren für Torantriebe definiert. Die Zusatzvorrichtungen müssen einer speziellen Abnahmeprüfung unterzogen werden, sowohl in Bezug auf die Funktionalität als auch in Bezug auf das ordnungsgemäße Zusammenwirken mit der Steuerungseinheit (siehe Bedienungshandbuch der einzelnen Vorrichtungen).

8.1 - Abnahmeprüfung

Die im Folgenden beschriebene Abfolge der für die Abnahmeprüfung vorgesehenen Tätigkeiten bezieht sich auf eine typische Anlage:

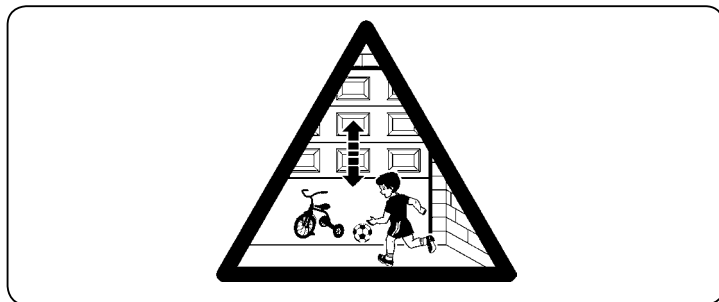
- 1 Sicherstellen, dass alle Anweisungen des Abschnitts „Hinweise zur Installation“ rigoros eingehalten werden.
- 2 Motor entriegeln. Sicherstellen, dass das Tor mit einer Kraft von nicht mehr als 225 N von Hand geöffnet und geschlossen werden kann.
- 3 Motor verriegeln.
- 4 Mithilfe der Steuerungsvorrichtungen (Sender, Bedientaste, Schlüsselwahlschalter etc.) das Schließen, Öffnen und Stoppen des Tors testen; prüfen, ob die Torbewegung wie vorgesehen erfolgt. Es empfiehlt sich, mehrere Tests durchzuführen, um die Bewegung des Tors zu beurteilen und eventuelle Montage- und Einstellfehler festzustellen sowie besondere Reibungsstellen zu erkennen.
- 5 Alle Sicherheitsvorrichtungen der Anlage (Fotозellen, Schalleisten usw.) einzeln auf ordnungsgemäße Funktion prüfen.
- 6 Falls die durch die Bewegung des Tors verursachten Gefahrensituationen durch Aufprallkraftbegrenzung beschränkt wurden, muss die Kraft nach den Vorschriften der Norm EN 12445 gemessen werden.

8.2 - Inbetriebnahme

Die Inbetriebnahme darf nur dann erfolgen, wenn alle Phasen der Abnahmeprüfung (Abschnitt 4.1) der Steuerungseinheit und der anderen vorhandenen Vorrichtungen positiv abgeschlossen wurden. **Eine teilweise Inbetriebnahme oder eine Inbetriebnahme unter „provisorischen“ Bedingungen ist unzulässig.**

- 1 Die technischen Unterlagen des Antriebs zusammenstellen und diese min-

- destens 10 Jahre lang aufbewahren. Sie müssen mindestens Folgendes enthalten: Übersichtszeichnung des Antriebs, Schaltplan mit den elektrischen Anschlüssen, Risikoanalyse und jeweilige angewendete Lösungen, Konformitätserklärung des Herstellers für alle benutzten Vorrichtungen (für die Steuerungseinheit die anliegende „EG-Konformitätserklärung“ verwenden), Kopie der Bedienungsanleitung und des Wartungsplans des Antriebs.
- 2 Am Tor ein Schild anbringen, das mindestens folgende Daten anführt: Antriebstyp, Name und Adresse des Herstellers (Verantwortlicher der „Inbetriebnahme“), Seriennummer, Baujahr und CE-Kennzeichnung.
- 3 In der Nähe des Tors ein Schild anbringen, auf dem die Vorgänge für die Entriegelung und die Betätigung von Hand angegeben sind
- 4 Am Tor ein Schild mit dieser Abbildung fest anbringen (Mindesthöhe 60 mm).



- 5 Konformitätserklärung des Antriebs anfertigen und dem Inhaber aushändigen.
- 6 „Bedienungsanleitung und Hinweise für den Gebrauch des Antriebs“ anfertigen und dem Inhaber aushändigen.
- 7 Wartungsplan (der alle Wartungsvorschriften der einzelnen Vorrichtungen enthalten muss) des Antriebs anfertigen und dem Inhaber aushändigen.

9 INSTALLATION UND ELEKTRISCHER ANSCHLUSS VON ZWEI STEUERUNGSEINHEITEN FÜR DEN BETRIEB MIT GEGENLÄUFIGEN TORFLÜGELN

Für den Antrieb eines Tors mit zwei Flügeln, die sich gegenläufig bewegen, sind zwei Steuerungseinheiten erforderlich, die wie in **Abb. 20** anzuschließen sind. Die Motoren und Endschalter müssen an jede der Steuerungseinheiten angeschlossen werden. Die Blinkleuchte und der Ausgang SCA (Kontrollleuchte „Tor geöffnet“) können entweder beide an eine der beiden Steuerungseinheiten oder jeweils an eine andere Steuerungseinheit angeschlossen werden (**Abb. A** - Seite 6). Die Eingänge müssen zu einander parallel geschaltet werden; der Eingang „Allgemein“ kann an eine der beiden Steuerungseinheiten angeschlossen werden. Klemmen „-“ der Schalleiste (8k2/OSE) der beiden Steuerungseinheiten parallel anschließen.

Eingang „Öffnet“ mithilfe der Programmierungseinheit O-View für „Wohnblockbetrieb“ konfigurieren, so dass die Torflügel wieder synchronisiert werden können, falls die beiden Steuerungseinheiten nicht mehr synchron arbeiten.

Bei dieser Konfiguration ist zu beachten, dass:

- die Auslösung der Schalleiste sich nur auf den jeweiligen Torflügel auswirkt;
- die rote Taste STOP nur auf den jeweiligen Torflügel wirkt;
- die Auslösung des Thermoschutzschalters sich nur auf den jeweiligen Torflügel auswirkt.

10 WEITERFÜHRENDE INFORMATIONEN UND DIAGNOSTIK

10.1 - Weiterführende Informationen

10.1.1 - Meldungen beim Einschalten

Beim Einschalten der Steuerungseinheit DPRO500 ist das Verhalten der grünen Led L2 PK und der roten Led L1 WARNING von Bedeutung, wie es in Tabelle 4 gezeigt wird. Im Einzelnen werden folgende Informationen angezeigt:

- Ob die Erfassung der Öffnungs- und Schließungspositionen korrekt ist;
- Ob die Erfassung der Sicherheitseinrichtung (Schalleiste) korrekt ist und welche Art von Sicherheitseinrichtung erkannt wurde.

Meldungen beim Einschalten	TABELLE 4 Meldung	
	Led L2 OK GRÜN	Led L1 WARNING ROT
Speicher leer (keine Position und Sicherheitseinrichtung erfasst)	Schnelles Blinken für 5 Sekunden	Schnelles Blinken für 5 Sekunden
Positionen korrekt erfasst und Sicherheitseinrichtung „8k2“ erkannt	Schnelles Blinken für 2 Sekunden	Nur einmal langsames Blinken
Positionen korrekt erfasst und Sicherheitseinrichtung „OSE“ erkannt	Schnelles Blinken für 2 Sekunden	Zweimal langsames Blinken

Nach den in Tabelle 4 aufgeführten Meldungen zeigt die Steuerungseinheit

DPRO500 über die Diagnostik mit Hilfe der Led L2 OK und der Led L1 WARNING eventuelle Fehler an.

10.1.2 - Weitere Funktionen

Kontrollleuchte Status und Diagnostik (Klemme an der Tastatur)

Die Steuerungseinheit sieht die Möglichkeit vor, eine Kontrollleuchte mit 24 V – 5 W max. an die Klemme „Kontrollleuchte“ der Platine des Bedientastenmoduls an der Innenseite der Gehäuseabdeckung anzuschließen (**Abb. 21**: Klemme 1 -, 2 +). Die Kontrollleuchte kann an der Abdeckung selbst installiert werden, indem darin Öffnungen angebracht werden, bzw. außerhalb der Steuerungseinheit in maximal 2 Metern Abstand von dieser.

ACHTUNG! - Der Ausgang verfügt über keinen Kurzschlusschutz.

Funktionsweise dieser Kontrollleuchte:

- ausgeschaltet, wenn die Sicherheitskette unterbrochen ist (Eing. ALT, rote STOPP-Taste, thermische Schutzvorrichtung oder Entriegelung)
- blinkt 0,5 s ON, 0,5 s OFF, wenn korrekt funktionierend
- zeigt dieselbe Diagnose der roten Led L1 WARNING an, wenn „schwere Fehler“ vorliegen (Abschnitt 10.2).

Einstellung der Pausenzeit bei automatischer Schließung

1 DIP-Schalter 3 und 4 in Position ON bringen.

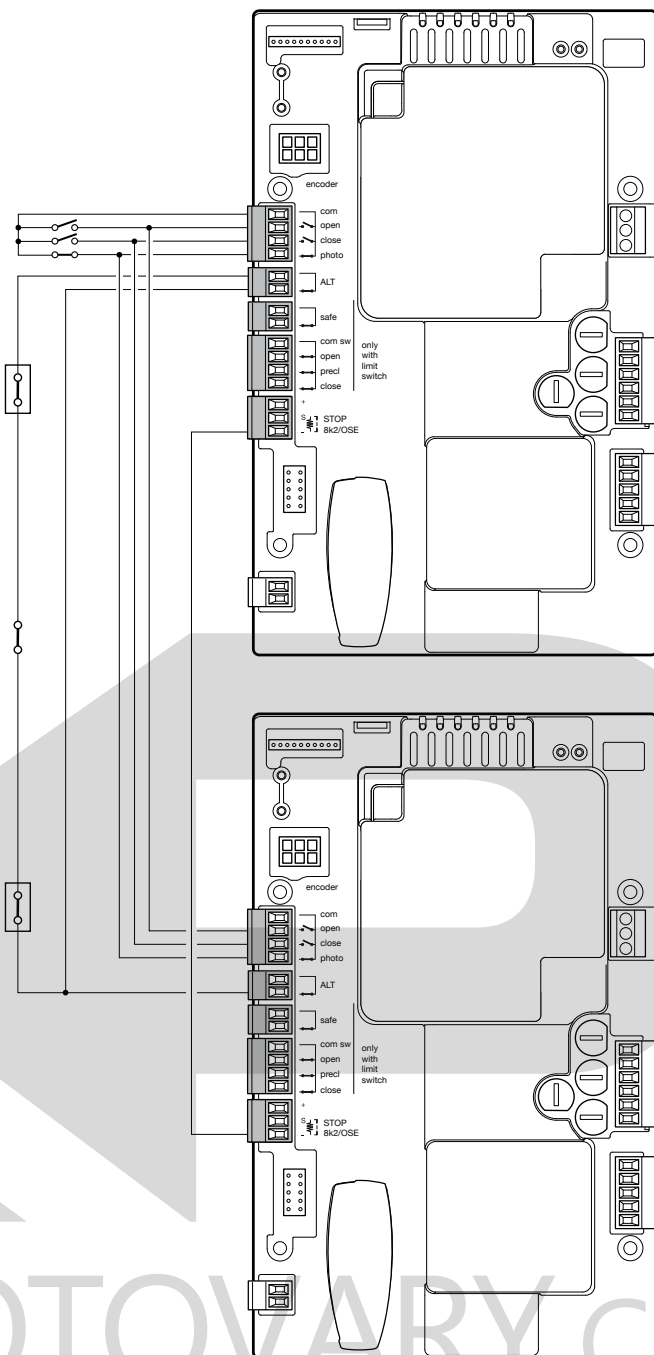
2 Mit einem Öffnungsbefehl das Tor in die Position maximaler Öffnung bringen.

3 Nach Erreichen dieser Position noch einmal dieselbe gewünschte Pausenzeit wie bei der automatischen Schließung abwarten, dann einen Schließbefehl geben. Die Pausenzeit der automatischen Schließung ist nun gespeichert.

Um den Wert der Pausenzeit zu ändern, DIP-Schalter 3 und 4 auf OFF und anschließend wieder auf ON stellen. Nun muss die Abfolge Öffnung, Pausenzeit, Schließung wiederholt werden.

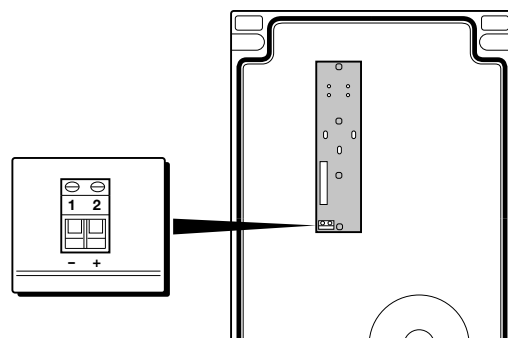
ACHTUNG! - Wenn DIP-Schalter 4 in die Position OFF gestellt wird, wird die Pausenzeit gelöscht.

20



DE

21



10.2 - Diagnostik

Einige Geräte sind für das Aussenden von Signalen ausgelegt, über die der Funktionsstatus bzw. etwaige Störungen erfasst werden können. In der folgenden Tabelle werden die unterschiedlichen Signale je nach Problemtyp beschrieben. Die Meldungen erfolgen über die entsprechenden Blinkanzeigen der grünen Led L2 OK und der roten Led L1 WARNING und eventuell über eine Blinkleuchte, die an den Ausgängen der Steuerungseinheit angeschlossen und extra programmiert sind.

DIAGNOSTIK GRÜNE LED L2 OK

Meldung	Ursache	Abhilfe	Blinkleuchte
2 Mal Blinken - kurze Pause 2 Mal Blinken - lange Pause	Ansprechen einer Fozozelle	Zu Beginn einer Betätigung bleibt die Freigabe zur Bewegung von einer oder mehreren Fozozellen aus; überprüfen, ob Hindernisse vorhanden sind bzw. ob die Infrarotstrahlen der Fozozellen sich gegenseitig stören. Wenn die Sicherheitseinrichtungen nicht ausgelöst wurden, kann der Antrieb mit Totmannfunktion über die kabelgebundenen Bedienelemente betätigt werden. Die Steuerung über Funk ist nicht möglich.	Blinken
4 Mal Blinken - kurze Pause 4 Mal Blinken - lange Pause	Auslösung des STOP-Eingangs	Am Anfang oder während der Bewegung erfolgte eine Auslösung des Eingangs „STOP“ bzw. „ALT“; Ursache überprüfen. Wenn die Sicherheitseinrichtungen nicht ausgelöst wurden, kann der Antrieb mit Totmannfunktion über die kabelgebundenen Bedienelemente betätigt werden. Die Steuerung über Funk ist nicht möglich.	Blinken
6 Mal Blinken - kurze Pause 6 Mal Blinken - lange Pause	Bewegungsbegrenzer	---	Blinken
9 Mal Blinken - kurze Pause 9 Mal Blinken - lange Pause	Antrieb verriegelt	Befehl „Antrieb entriegeln“ senden oder die Bewegung mit „Schrittbetrieb hohe Priorität“ steuern.	Blinken
Aufleuchten der Leds für 3 Sekunden	Verriegelung des Antriebs	---	Blinken
2 Mal Blinken, je 1 Sekunde 1,5 Sekunden Pause	Antrieb entriegelt	---	Blinken

DIAGNOSTIK ROTE LED L1 WARNING

⚠ Einige Meldungen können durch die Betätigung der roten STOP-Taste gelöscht werden

Meldung	Ursache	Abhilfe	Blinkleuchte
5 Mal Blinken - kurze Pause 5 Mal Blinken - lange Pause	EEPROM-Fehler - Fehler in den internen Parametern der Steuerungseinheit	Stromversorgung unterbrechen und wieder herstellen. Falls der Fehler weiter besteht, den Speicher vollständig löschen, wie in Abschnitt 7.8 beschrieben, und die Installation erneut durchführen; wenn sich der Zustand nicht ändert, liegt möglicherweise eine schwere Störung vor und es ist erforderlich, die elektronische Steuerkarte zu ersetzen.	Blinken
2 Mal Blinken - kurze Pause 2 Mal Blinken - lange Pause	Fehler Sicherheitstest	Einlernvorgang der an die Steuerungseinheit angeschlossenen Sicherheitsvorrichtungen erneut durchführen (Abschnitt 7.9).	---
3 Mal Blinken - kurze Pause 3 Mal Blinken - lange Pause	Fehler Rotationsrichtung Encoder oder Endschalter verkehrt	Drehrichtung des Encoders umkehren, dazu DIP-Schalter 2 auf ON stellen (siehe Abschnitt 7.10). Wenn der Motor mit mechanischem Endschalter ausgeführt ist, Fehler durch Drücken der Taste STOP zurücksetzen und Anschluss des Endschalters in Öffnung mit dem des Endschalters in Schließung an der Klemme LIMIT SWITCH vertauschen (Abb. 14).	
4 Mal Blinken - kurze Pause 4 Mal Blinken - lange Pause	Fehler Sicherheitsendschalter	Das Tor hat die Sicherheitsendschalter beim Öffnen oder beim Schließen überlaufen. Tor manuell mit Hilfe des Notbedienungssystems auf ungefähr halbe Höhe ziehen (siehe Motorhandbuch) und die STOP-Taste auf der Abdeckung drücken, um den Betrieb zurückzusetzen. Überlegen Sie, ob die zuvor eingelernten Öffnungs-/Schließpositionen geändert werden müssen.	---
6 Mal Blinken - kurze Pause 6 Mal Blinken - lange Pause	Fehler am Fernschalter	Alle Versorgungsleitungen ein paar Sekunden lang unterbrechen, dann erneut versuchen, einen Befehl zu senden; wenn sich der Zustand nicht ändert, könnte ein schwerer Defekt an der Steuerkarte oder an den Motoranschlüssen vorliegen. Entsprechende Überprüfungen durchführen und gegebenenfalls defekte Teile ersetzen.	---
7 Mal Blinken - kurze Pause 7 Mal Blinken - lange Pause	Kommunikationsfehler RS485 Encoder	Anschluss des Kabels zwischen Motor und Steuerungseinheit überprüfen, insbesondere den Anschluss des Encoder-Kabels (6 farbige Kabel).	---
8 Mal Blinken - kurze Pause 8 Mal Blinken - lange Pause	Fehler am Encoder	Anschluss des Kabels zwischen Motor und Steuerungseinheit überprüfen, insbesondere den Anschluss des Encoder-Kabels (6 farbige Kabel). Einlernvorgang der Öffnungs- und Schließpositionen erneut durchführen.	---
9 Mal Blinken - kurze Pause 9 Mal Blinken - lange Pause	Fehler bei Endschaltererfassung	Einlernvorgang der Öffnungs- und Schließpositionen wiederholen.	---
10 Mal Blinken - kurze Pause 10 Mal Blinken - lange Pause	Fehler Bewegungs-Time-Out	Der Standardwert des Bewegungs-Time-Outs beträgt 60 Sekunden. Überprüfen, ob die Bewegung durch Hindernisse gestört wird und ob das Tor die Bewegung tatsächlich ausgeführt hat. Überprüfen (mit der Programmierungseinheit Oview, wenn verfügbar), ob die Dauer des Timers verändert wurde. Einlernung der Öffnungs- und Schließpositionen erneut durchführen.	---

Anmerkung – Die Diagnostikanzeige durch Blinken der Leds wird unterbrochen, wenn ein Befehl an die Steuerungseinheit gesendet wird. Bei Verwendung einer externen Blinkleuchte* wird die Diagnostikanzeige weitere zwei Blinksequenzen lang fortgesetzt (z. B. eine Sequenz von „3 Mal Blinken - kurze Pause - 3 Mal Blinken - lange Pause“ wird zweimal wiederholt).

WICHTIG: Für den Anschluss der externen Blinkleuchte ist die Zusatzplatine NDA040 erforderlich (nicht im Lieferumfang enthalten).

* Über Oview Programmierungseinheit als „Blinkleuchte 1“ konfiguriert.

DIAGNOSTIK LED L1 und L2

Meldung	Ursache
Schnelles abwechselndes Blinken der roten und grünen Led	Firmware-Aktualisierung läuft
4 Mal Blinken - Pause - 4 Mal gleichzeitiges Blinken der Led	Warten auf Firmware-Aktualisierung

DIAGNOSTIK LED SAFETY

Meldung	Ursache	Abhilfe
Dauerleuchten	Betrieb in Ordnung	---
Ausgeschaltet	Sicherheitskette unterbrochen	Die Sicherheitskette besteht aus einer Reihe von Eingängen (ALT, Stopp über Taste, thermischer Motorschutz, Motorentriegelung). Kreis schließen

11 WAS TUN, WENN ...

(Leitfaden zum Lösen von Problemen)

Im Folgenden sind Störungsfälle aufgeführt, die in der Installationsphase auftreten können, bzw. Defekte und mögliche Lösungsmaßnahmen:

- **Der Motor steht still, es erfolgt keine Betätigung und die rote Led blinkt:** Art des Blinkens anhand der Diagnostiktabelle Led L1 Warning (Abschnitt 10.2) prüfen und die rote STOP-Taste drücken, um die Diagnostik zu löschen.
- **Der Funksender schaltet das Tor nicht und die Led am Sender leuchtet nicht auf:** Prüfen, ob die Batterien des Senders leer sind, ggf. austauschen.
- **Der Funksender schaltet das Tor nicht, aber die Led am Sender leuchtet auf:** Prüfen, ob der Sender ordnungsgemäß im Funkempfänger gespeichert ist. Mit dem folgenden empirischen Test prüfen, ob der Sender das Funksignal korrekt abgibt: Eine beliebige Taste des Senders drücken und die Led an die Antenne eines handelsüblichen Funkgeräts anlegen, das eingeschaltet und auf die UKW-Frequenz 108,5 MHz eingestellt sein muss; nun sollte ein leichtes, pulsierendes Kratzgeräusch zu hören sein.
- **Beim Senden eines Steuerungsbefehls wird keine Bewegung ausgeführt und die Led OK blinkt nicht:** Prüfen, ob die Steuerungseinheit mit einer Netzspannung von 230/400 V versorgt wird. Überprüfen, ob die Sicherungen unterbrochen sind; in diesem Fall die Ursache des Defekts überprüfen und sie dann durch andere Sicherungen mit denselben Merkmalen ersetzen.
- **Beim Senden eines Steuerungsbefehls wird keine Bewegung ausgeführt und die Blinkleuchte ist ausgeschaltet:** Prüfen, ob der Steuerungsbefehl tatsächlich empfangen wird; wenn der gesendete Steuerungsbefehl den Eingang „PP“ erreicht, blinkt die Led OK zweimal auf, um anzuzeigen, dass der Steuerungsbefehl empfangen wurde.
- **Der Bewegungsablauf startet nicht und die Blinkleuchte sendet einige Blinksignale aus:** Zählen, wie oft die Leuchte blinkt, und die Bedeutung der Blinksignale in Abschnitt 10.2 nachlesen
- **Der Motor dreht sich in umgekehrter Richtung:**
 - bei einem *Dreiphasenmotor* müssen die Phasen „V“ und „W“ des Motors vertauscht werden
 - bei einem *Einphasenmotor* müssen die Phasen „V“ und „W“ des Motors vertauscht werden
- **Der Bewegungsvorgang startet, wird aber nach kurzer Zeit gestoppt:** Ursache mittels Diagnostik der Leds an der Steuerungseinheit prüfen.
- **Die rote Led L1 WARNING leuchtet 9-mal auf, gefolgt von einer Pause:** Beim Einlernvorgang der Öffnungs- und Schließpositionen ist ein Fehler aufgetreten. Der Speicher muss gelöscht werden (siehe 7.9) und das Einlernen der Positionen muss wiederholt werden (siehe 7.10).

DE

KOVOPOLOTOVARY.cz

12 ENTSORGUNG DES PRODUKTS

Dieses Produkt ist integraler Bestandteil des Antriebs und muss daher zusammen mit diesem entsorgt werden.

Wie die Installationsarbeiten muss auch die Demontage am Ende der Lebensdauer dieses Produktes von Fachpersonal ausgeführt werden.

Dieses Gerät besteht aus verschiedenen Materialien: Einige können recycelt werden, andere müssen entsorgt werden. Informieren Sie sich über die Recycling- bzw. Entsorgungssysteme für dieses Produkt, die von den in Ihrem Gebiet gültigen Verordnungen vorgesehen sind.

Achtung! – Bestimmte Teile des Geräts enthalten evtl. Schadstoffe oder gefährliche Substanzen, die schädliche Auswirkungen auf Umwelt und Gesundheit haben können, wenn sie in die Umwelt gelangen.



Das nebenstehende Symbol weist darauf hin, dass es verboten ist, dieses Gerät über den Hausmüll zu entsorgen. Es muss entsprechend den örtlichen Bestimmungen entsorgt werden oder dem Verkäufer beim Kauf eines neuen, gleichwertigen Produktes zurückgegeben werden.

Achtung! – Die örtlichen Vorschriften sehen für den Fall einer widerrechtlichen Entsorgung dieses Geräts unter Umständen schwere Strafen vor.

13 TECHNISCHE MERKMALE DES PRODUKTS

HINWEISE: • Alle technischen Merkmale beziehen sich auf eine Umgebungstemperatur von 20 °C (±5 °C). • Nice S.p.A. behält sich das Recht vor, das Produkt jederzeit nach eigenem Ermessen zu ändern, die Funktionen und den Bestimmungszweck dabei jedoch beizubehalten.

MODELL	TUB4000
Typ	Elektromechanischer Torantrieb mit Bremsmotor für die automatische Bewegung von Industrieschiebetoren, komplett mit elektronischer Steuerung DPRO500
Ritzel	Z = 18; Modul = 6; Teilung = 18.8
Maximales Anlaufdrehmoment	216 Nm
Nenn Drehmoment	65 Nm
Geschwindigkeit bei Nenn Drehmoment	0,16 m/s (9,50 m/min)
Einsatzbeschränkungen	Allgemein ist TUB4000 für den Antrieb von Toren mit einem Gewicht bis 4000 kg bzw. einer Länge bis 30 m geeignet
Stromversorgung	3~ 400 V AC +/-10%; 50 Hz
Leistungsaufnahme nominal	580 W
Stromaufnahme nominal	1,6 A
Schutzklasse	1 (eine Sicherheitserdung ist erforderlich)
Betriebstemperatur	-20 °C ... 55°C
Schutzart	IP 54
Abmessungen (mm)	580 x 480 x 240
Gewicht	60 kg

KOVOPOLOTOVARY.CZ

⚠ Diese Gebrauchsanleitung sollte gut aufbewahrt und allen Benutzern des Antriebs ausgehändigt werden.

HINWEISE

- Die Torbewegung überwachen und in einem sicheren Abstand bleiben, bis das Tor vollständig geöffnet oder geschlossen ist; die Durchfahrt ist erst gestattet, wenn das Tor vollständig geöffnet ist und sich nicht mehr bewegt.
- Kinder dürfen nicht in der Nähe der Automation oder mit den Bedienelementen spielen.
- Die Sender von Kindern fernhalten.
- Den Gebrauch der Automation bei einem anomalen Betrieb (Geräusche oder stoßartige Bewegungen) unverzüglich einstellen; die Missachtung dieses Hinweises kann zu großen Gefahren und Unfallrisiken führen.
- Es dürfen keine Teile während der Bewegung berührt werden.
- Die regelmäßigen Kontrollen nach Vorgaben des Wartungsplans ausführen lassen.
- Wartungs- oder Reparaturarbeiten dürfen ausschließlich durch technisches Fachpersonal ausgeführt werden.
- Senden eines Steuerbefehls mit den Sicherheitsvorrichtungen außer Betrieb:

Wenn die Sicherheitsvorrichtungen nicht korrekt funktionieren oder außer Betrieb sein sollten, kann das Tor dennoch gesteuert werden.

Wenn die Sicherheitseinrichtungen nicht ausgelöst wurden, kann der Antrieb mit Totmannfunktion über die kabelgebundenen Bedienelemente betätigt werden. Die Steuerung über Funk ist nicht möglich.

Wenn die Sicherheitsvorrichtungen außer Betrieb sind, muss die Automation so schnell wie möglich repariert werden.

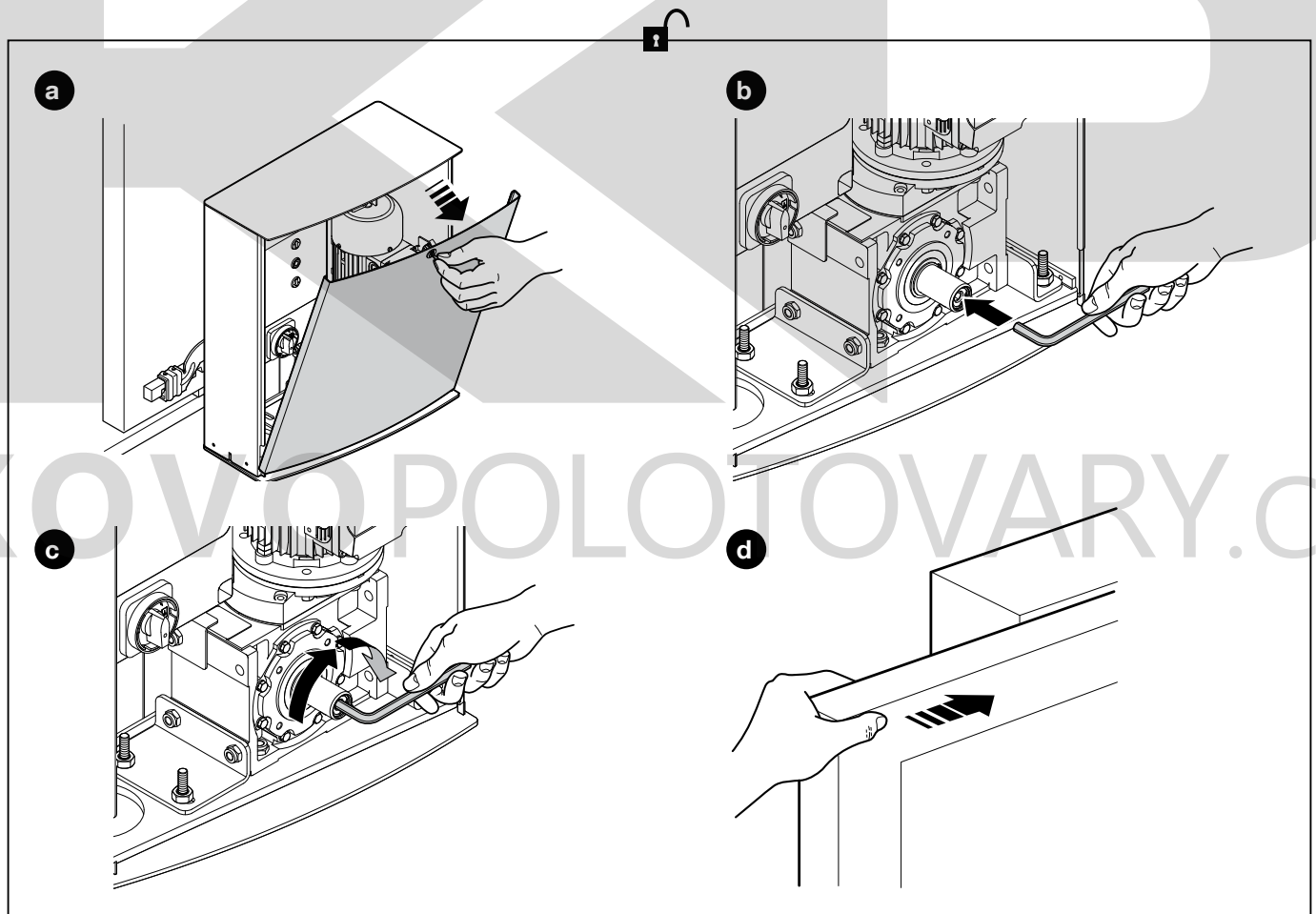
Antrieb entriegeln  und verriegeln  (manuelle Betätigung)

Der Antrieb ist mit einem mechanischen System ausgestattet, das die manuelle Öffnung und Schließung des Tors ermöglicht.

Das manuelle Verfahren muss bei Stromausfall oder Betriebsstörungen der Anlage ausgeführt werden.

Bei einem Defekt des Antriebs kann versucht werden, die Motorentriegelung zu verwenden, um zu prüfen, ob der Defekt durch den Entriegelungsmechanismus verursacht ist.

Um den Antrieb zu verriegeln, die im Folgenden beschriebenen Vorgänge umgekehrt ausführen.



Wartungseingriffe, die der Benutzer ausführen kann

Folgende Wartungsarbeiten sind vom Benutzer regelmäßig auszuführen:

- **Reinigung der Oberflächen der Vorrichtungen:** ein leicht feuchtes Tuch (nicht nass) verwenden. Verwenden Sie keine Substanzen, die Alkohol, Benzol, Verdünnungsmittel oder sonstige entzündbare Stoffe enthalten; diese Substanzen könnten die Vorrichtungen beschädigen und Brand oder Stromschläge verursachen.
- **Beseitigung von Blättern und Steinen:** vor Arbeitsbeginn den Antrieb von der Stromversorgung trennen, damit niemand das Tor betätigen kann. Falls eine Pufferbatterie vorhanden ist, muss auch diese abgeklemmt werden.

EG-Konformitätserklärung (N. 624/TUB4) und Erklärung für den Einbau einer „unvollständigen Maschine“

Hinweis - Der Inhalt dieser Erklärung stimmt mit dem offiziell am Geschäftssitz von Nice S.p.A. hinterlegten Dokument überein, insbesondere mit der letzten, vor dem Druck dieser Anleitung verfügbaren Revision. Dieser Text wurde aus redaktionellen Gründen angepasst. Eine Kopie der Originalerklärung kann bei Nice S.p.A. (TV), Italy.

Revision: 2

Sprache: DE

Herstellername: NICE S.p.A.

Adresse: Via Pezza Alta 13, 31046 Rustignè, Oderzo (TV) Italy

Für die Zusammenstellung der technischen Dokumentation autorisierte Person: NICE S.p.A.

Adresse: Via Pezza Alta 13, 31046 Rustignè, Oderzo (TV) Italy

Produkttyp: 400V dreiphasiger elektromechanischer Getriebemotor

Modell / Typ: TUB4000

Zubehör: Funkempfänger mod. SMXI, SMXIS und ONEXI, OXI, OXIBD, OXILR, OVIEW
Optische Schaltleiste TMF, NDA040
Fotозellen ERA Familie S, M, L

Der Unterzeichner Roberto Griffa erklärt hiermit eigenverantwortlich als Chief Executive Officer, dass das oben genannte Produkt die Bestimmungen der folgenden Richtlinien erfüllt:

- Richtlinie 2014/30/UE (EMC) EN 61000-6-2:2005 - EN 61000-6-3:2007+A1:2011

Außerdem entspricht das Gerät im Sinne der Anforderungen an „unvollständige Maschinen“ folgender Richtlinie (Anhang II, Teil 1, Abschnitt B):

- Richtlinie 2006/42/EG DES EUROPÄISCHEN PARLAMENTS UND DES RATS vom 17. Mai 2006 über Maschinen zur Änderung der Richtlinie 95/16/EG (Überarbeitung).
 - Der Hersteller erklärt hiermit, dass die einschlägige technische Dokumentation in Konformität zu Anhang VII B der Richtlinie 2006/42/EG verfasst wurde und folgende grundlegende Anforderungen erfüllt sind: 1.1.1- 1.1.2- 1.1.3- 1.2.1-1.2.6- 1.5.1-1.5.2- 1.5.5- 1.5.6- 1.5.7- 1.5.8- 1.5.10- 1.5.11
 - Der Hersteller verpflichtet sich, den zuständigen Stellen der einzelnen Länder bei begründeter Anfrage unter Wahrung seiner Rechte am geistigen Eigentum die entsprechenden Informationen über die „unvollständige Maschine“ zu übermitteln.
 - Falls die „unvollständige Maschine“ in einem europäischen Land in Betrieb genommen wird, dessen offizielle Landessprache nicht mit der Sprache dieser Erklärung übereinstimmt, ist der Importeur verpflichtet, dieser Erklärung die entsprechende Übersetzung beizulegen.
 - Es wird darauf hingewiesen, dass die „unvollständige Maschine“ nicht in Betrieb genommen werden darf, bis die Endmaschine, in die sie eingebaut wird, ebenfalls als konform mit den Vorschriften der Richtlinie 2006/42/EG erklärt wurde (falls zutreffend).

Ferner entspricht das Produkt folgenden Normen: EN 60335-1:2012+A11:2014, EN 62233:2008, EN 60335-2-103:2015

Ort und Datum: Oderzo, 19/12/2017

Ing. **Roberto Griffa**
(Chief Executive Officer)



OGÓLNE OSTRZEŻENIA: BEZPIECZEŃSTWO - MONTAŻ - UŻYTKOWANIE

(instrukcja przetłumaczona z języka włoskiego)

▲ Poniższe ostrzeżenia zostały skopiowane bezpośrednio z Przepisów i, jeśli jest to możliwe, należy je stosować do niniejszego produktu

UWAGA Ważne instrukcje bezpieczeństwa. Należy przestrzegać wszystkich instrukcji, ponieważ nieprawidłowy montaż może być przyczyną poważnych szkód

UWAGA Ważne instrukcje bezpieczeństwa. W celu zapewnienia bezpieczeństwa osób, postępować zgodnie z niniejszą instrukcją. Należy starannie przechowywać niniejszą instrukcję

- Przed rozpoczęciem montażu należy sprawdzić informacje na temat „Parametrów technicznych produktu”, a w szczególności, czy urządzenie jest przystosowane do napędzania posiadanego przez Państwa urządzenia. Jeżeli produkt nie jest odpowiedni, NIE należy wykonywać montażu
- Nie używać urządzenia, jeśli nie przeprowadzono procedury oddania do eksploatacji, opisanej w rozdziale „Odbiór i przekazanie do eksploatacji“

UWAGA Według najnowszych, obowiązujących przepisów europejskich, wykonanie automatyki musi być zgodne z obowiązującą Dyrektywą Maszynową umożliwiającą zadeklarowanie zgodności automatyki. W związku z tym, wszystkie czynności polegające na podłączeniu do sieci elektrycznej, wykonywaniu prób odbiorczych, przekazywaniu do eksploatacji i konserwacji urządzenia muszą być wykonywane wyłącznie przez wykwalifikowanego i kompetentnego technika!

- Przed przystąpieniem do montażu produktu należy sprawdzić, czy wszystkie elementy i materiały przeznaczone do użycia prezentują idealny stan i są odpowiednie do użycia
- Produkt nie jest przeznaczony do obsługi przez osoby (w tym dzieci) o ograniczonych zdolnościach fizycznych, zmysłowych bądź umysłowych lub przez osoby nieposiadające odpowiedniego doświadczenia i wiedzy
- Nie zezwalać dzieciom na zabawę urządzeniem
- Nie zezwalać dzieciom na zabawę urządzeniami sterującymi produktu. Przechowywać piloty w miejscu niedostępnym dla dzieci

UWAGA W celu uniknięcia jakiegokolwiek zagrożenia na skutek przypadkowego uzbrojenia termicznego urządzenia odłączającego, nie należy zasilać tego urządzenia przy użyciu zewnętrznego urządzenia, jak zegar lub podłączać go do obwodu charakteryzującego się regularnym podłączeniem lub odłączeniem zasilania

- W sieci zasilającej instalacji należy przygotować urządzenie odłączające (nieznajdujące się na wyposażeniu), którego odległość pomiędzy stykami podczas otwarcia zapewnia całkowite odłączenie w warunkach określonych przez III kategorię przepięciową
- Podczas montażu, należy delikatnie obchodzić się z urządzeniem, chroniąc je przed zgnieceniem, uderzeniem, upadkiem lub kontaktem z jakiegokolwiek rodzaju płynami. Nie umieszczać urządzenia w pobliżu źródeł ciepła i nie wystawiać go na działanie otwartego ognia. Opisane powyżej sytuacje mogą doprowadzić do uszkodzenia urządzenia, być przyczyną nieprawidłowego działania lub zagrożeń. Jeżeli doszłoby do którejś z opisanych sytuacji, należy natychmiast przerwać montaż i zwrócić się o pomoc do Serwisu Technicznego
- Producent nie ponosi odpowiedzialności za szkody materialne lub osobowe powstałe w wyniku nieprzestrzegania instrukcji montażu. W takich przypadkach, nie ma zastosowania rękojmią za wady materialne
- Poziom ciśnienia akustycznego emisji skorygowanej charakterystyką A jest niższy od 70 dB(A)
- Czyszczenie i konserwacja, za którą jest odpowiedzialny użytkownik, nie powinny być wykonywane przez dzieci pozbawione opieki
- Przed wykonaniem działań na instalacji (konserwacja, czyszczenie), należy zawsze odłączyć produkt od sieci zasilającej
- Należy wykonywać okresowe przeglądy instalacji, a w szczególności kabli, sprężyn i wsporników, celem wykrycia ewentualnego braku wyważenia lub oznak zużycia, czy uszkodzeń. Nie używać w razie konieczności naprawy lub regulacji, ponieważ obecność usterek może prowadzić do poważnych obrażeń
- Materiał opakowaniowy podlega utylizacji zgodnie z miejscowymi przepisami
- Osoby trzecie nie powinny się znajdować w pobliżu bramy podczas jej przesuwania przy użyciu elementów sterowniczych
- Podczas wykonywania manewru, należy nadzorować automatykę i zadbać o to, aby inne osoby nie zbliżyły się do urządzenia, aż do czasu zakończenia czynności
- Nie sterować automatyką, jeżeli w jej pobliżu znajdują się osoby wykonujące czynności; przed wykonaniem tych czynności należy odłączyć zasilanie elektryczne
- Jeśli przewód zasilający jest uszkodzony, należy go wymienić na identyczny dostępny u producenta lub w serwisie technicznym lub u innej osoby posiadającej porównywalne kwalifikacje, aby uniknąć jakiegokolwiek ryzyka

OSTRZEŻENIA NA TEMAT MONTAŻU

- Przed zamontowaniem silnika, należy sprawdzić stan wszystkich części mechanicznych, odpowiednie wyważenie i upewnić się, czy urządzenie może być prawidłowo manewrowane
- Jeżeli brama przeznaczona do zautomatyzowania posiada również drzwi dla pieszych, należy przygotować instalację z systemem kontrolnym, który uniemożliwi działanie silnika, gdy drzwi dla pieszych będą otwarte
- Upewnić się, że elementy sterownicze znajdują się z dala od części w ruchu, umożliwiając w każdym razie ich bezpośrednią widoczność. W razie niestosowania przełącznika, elementy sterownicze należy montować w miejscu niedostępnym i na minimalnej wysokości 1,5 m

Zalecenia szczególne związane z mającymi zastosowanie Dyrektywami europejskimi

- Rozporządzenie „Wyroby budowlane”: Zalecenia szczególne odnoszące się do produktu i wynikające z Rozporządzenia 305/2011:
 - Pełna instalacja niniejszego produktu, w sposób opisany w niniejszej instrukcji, oraz niektóre ze sposobów jego użytkowania (np. wyłączony użycie dla samych pojazdów) mogą sprawić, że zostanie on włączony w zakres zastosowania Rozporządzenia 305/2011 oraz odpowiedniej normy zharmonizowanej EN 13241-1.
 - Należy zastosować odpowiednie kryteria instalacji, aby produkt spełnił zasadnicze wymagania Rozporządzenia 305/2011; osoba przeprowadzająca instalację musi sprawdzić i upewnić się, że wszystkie kryteria są skrupulatnie spełnione.
 - Spełnienie zasadniczych wymagań może nie być gwarantowane, jeśli produkt zostanie zainstalowany i będzie użytkowany bez zastosowania się do jednego lub kilku z tych kryteriów. W takim przypadku, zabrania się korzystania z produktu aż do chwili, gdy instalator sprawdzi zgodność z wymaganiami stawianymi przez dyrektywę; należy natychmiast usunąć zamieszczoną na wyrobie etykietę „ES13241-1.4870”, zabrania się również użycia „Deklaracji zgodności WE” znajdującej się w załączniku I do niniejszej instrukcji. W konsekwencji, osoba przeprowadzająca instalację staje się producentem produktu i musi przestrzegać postanowień Rozporządzenia 305/2011 oraz normy zharmonizowanej EN 13241-1. W takim przypadku produkt należy uznać za „maszynę nieukończoną” i można korzystać (w celu włączenia jej do dokumentacji technicznej) z „Deklaracji zgodności” z załącznika II.

- „Dyrektywa Niskonapięciowa”:
Szczególne zalecenia związane z możliwością zastosowania produktu do danego użytkowania, w odniesieniu do „Dyrektywy Niskonapięciowej”. Niniejszy produkt spełnia wymagania „Dyrektywy Niskonapięciowej”, jeśli jest wykorzystywany do użytku i w konfiguracjach przewidzianych w niniejszej instrukcji oraz w połączeniu z artykułami z katalogu produktów firmy Nice S.p.A.
Spełnienie wymagań może nie być zagwarantowane, jeśli produkt jest używany w nieprzewidzianych konfiguracjach lub z nieprzewidzianymi, innymi produktami; w takim przypadku zabrania się korzystania z produktu, aż do chwili, gdy instalator sprawdzi zgodność z wymaganiami stawianymi przez dyrektywę.
- Dyrektywa „Kompatybilność Elektromagnetyczna”:
Szczególną uwagę należy zwrócić na użytkowanie niniejszego produktu w odniesieniu do dyrektywy „Kompatybilność Elektromagnetyczna”. Niniejszy produkt został poddany próbom związanym z kompatybilnością elektromagnetyczną w najbardziej krytycznych warunkach użytkowania, w konfiguracjach przewidzianych w niniejszej instrukcji oraz w połączeniu z artykułami z katalogu produktów firmy Nice S.p.A.
Kompatybilność elektromagnetyczna może nie być zagwarantowana, jeśli produkt jest używany w nieprzewidzianych konfiguracjach lub z nieprzewidzianymi, innymi produktami; w takim przypadku zabrania się korzystania z produktu, aż do momentu, gdy instalator sprawdzi zgodność z wymaganiami stawianymi przez dyrektywę.

Kryteria dotyczące instalacji i ostrzeżenia szczególne związane z zasadniczymi wymaganiami

- Niniejszy produkt, jeśli został prawidłowo zainstalowany, spełnia zasadnicze wymagania Rozporządzenia 305/2011 zgodnie z normą zharmonizowaną EN 13241-1, jak przedstawiono Tabeli 1 oraz z Dyrektywą Maszynową 2006/42/WE.
- Uwalnianie substancji niebezpiecznych:
Produkt nie zawiera i/lub nie uwalnia substancji niebezpiecznych, zgodnie z normą EN 13241-1, punkt 4.2.9 i zgodnie z listą substancji zamieszczoną na stronie internetowej Unii Europejskiej.
Ostrzeżenie specjalne mające na celu stałe spełnianie tego wymogu – Niezbędne jest, aby również inne materiały użyte podczas instalacji, np. przewody elektryczne, były zgodne z tym wymogiem.
- Bezpieczne otwieranie bram poruszających się w poziomie: produkt nie wykonuje niekontrolowanych ruchów.
Ostrzeżenia specjalne mające na celu stałe spełnianie wymogów:
- Instalację należy przeprowadzić postępując skrupulatnie według wszystkich zaleceń opisanych w rozdziałach 2 - „Montaż”. i 4 - „Odbiór i przekazanie do eksploatacji”.
- Należy się upewnić, że zorganizowano plan konserwacji zgodnie z postanowieniami w rozdziale „Plan konserwacji”.
- Zamknięcia przesuwne, w odniesieniu do ryzyka zgniecenia i uderzenia, są chronione poprzez jedną z trzech poniższych metod:
 - 1 - W przypadku działania z „przyciskiem bez samopodtrzymania” (w trybie manualnym): jak określono to w normie EN 12453, punkt 5.1.1.4.
W tym przypadku, przycisk sterujący musi się znajdować w widocznym miejscu automatyki i, jeżeli mają do niego dostęp osoby nieupoważnione, jego używanie należy ograniczyć, np. poprzez zastosowanie przełącznika kluczykowego.
 - 2 - W przypadku działania typu „półautomatycznego”: poprzez zastosowanie listwy krawędziowej w celu ograniczenia działających sił, jak wyszczególniono w normie EN 12453, punkty 5.1.1.5 i 5.1.3.
 - 3 - W przypadku działania typu „automatycznego”: poprzez zastosowanie aktywnej listwy krawędziowej w celu ograniczenia działających sił, jak wyszczególniono w normie EN 12453, punkty 5.1.1.5 i 5.1.3; w tym przypadku muszą zostać obowiązkowo zainstalowane co najmniej dwie fotokomórki, jak przedstawiono na. rys. 2.

KOVO POLOTOVARY.CZ

TUB4000

POLSKI

Instrukcja przetłumaczona z języka włoskiego

Spis treści

OGÓLNE OSTRZEŻENIA: BEZPIECZEŃSTWO - MONTAŻ - UŻYTKOWANIE	1
1 - OPIS PRODUKTU I PRZEZNACZENIE UŻYTKOWANIA	3
2 - MONTAŻ	3
2.1 - Kontrole wstępne przed montażem	3
2.2 - Ograniczenia w użytkowaniu	3
2.3 - Typowa instalacja	4
2.4 - Mocowanie motoreduktora	4
2.5 - Montaż różnych urządzeń centrali	4
3 - PODŁĄCZENIA ELEKTRYCZNE	5
4 - PRÓBA ODBIORCZA I PRZEKAZANIE DO EKSPLOATACJI	7
4.1 - Próba odbiorcza	7
5 - WBUDOWANA CENTRALA STERUJĄCA DPRO500	8
5.1 - Opis produktu i przeznaczenie użytkowania	8
6 - MONTAŻ	8
6.1 - Kontrole wstępne przed montażem	8
6.2 - Ograniczenia w użytkowaniu	8
6.3 - Montaż centrali sterującej	8
7 - PODŁĄCZENIA ELEKTRYCZNE	9
7.1 - Przyłączenie kabla zasilania trójfazowego	9
7.2 - Przyłączenie kabla zasilania trójfazowego	9
7.3 - Zmiana zasilania za pomocą zworki	9
7.4 - Opis połączeń elektrycznych: zasilanie, urządzenia zabezpieczające, sterownicze i dodatkowe	9
7.5 - Połączenia elektryczne centrali sterującej	10
7.6 - Wejście STOP SAFETY EDGE	12
7.7 - Przyłączenie odbiornika radiowego	12
7.8 - Pierwsze włączenie i kontrola połączeń	12
7.9 - Całkowite wykasowanie pamięci centrali sterującej	12
7.10 - Wczytywanie podłączonych urządzeń i pozycji Otwarcia i Zamknięcia	12
7.10.1 - Rozpoznawanie położenia Otwarcia i Zamknięcia z mechanicznym ogranicznikiem krańcowym	13
7.11 - Tryb funkcjonowania	13
7.12 - Jednostka programowania Oview	13
4 - PRÓBA ODBIORCZA I PRZEKAZANIE DO EKSPLOATACJI	14
8.1 - Próba odbiorcza	14
8.2 - Przekazanie do eksploatacji	14
9 - MONTAŻ I PODŁĄCZENIE ELEKTRYCZNE DWÓCH CENTRALI W CELU FUNKCJONOWANIA Z PRZECIWLEGŁYMI SKRZYDŁAMI	14
10 - INFORMACJE DODATKOWE I DIAGNOSTYKA	15
10.1 - Informacje dodatkowe	15
10.1.1 - Sygnalizacja włączenia	15
10.1.2 - Inne funkcje	15
10.2 - Diagnostyka	16
11 - CO ROBIĆ, JEŚLI	16
12 - UTYLIZACJA PRODUKTU	17
13 - PARAMETRY TECHNICZNE PRODUKTU	17
DEKLARACJA ZGODNOŚCI WE	18
PLAN KONSERWACJI (załącznik do wycięcia)	19

WAŻNE!

Przed przeprowadzeniem jakichkolwiek działań lub procedur, należy uważnie przeczytać ostrzeżenia ogólne (str. 1) i informacje na temat ograniczeń zastosowania (punkt 2.2)

1 OPIS PRODUKTU I JEGO PRZEZNACZENIE

TUB4000 jest motoreduktorem do bram przesuwnych o dużych wymiarach do użycia przemysłowego, z wbudowaną centralą DPRO500 i przystosowany do użycia odbiorników NICE.

Jest zasilany energią elektryczną; w razie braku zasilania elektrycznego możliwe jest odblokowanie motoreduktora za pomocą odpowiedniej linki i ręczne przesunięcie bramy.

UWAGA! – Wszelkie inne użycie, różne od opisanego oraz wykorzystywanie produktu w warunkach otoczenia odmiennych, niż te, przedstawione w niniejszej instrukcji jest niezgodne z przeznaczeniem i zabronione!

2 MONTAŻ

Montaż urządzenia TUB4000 musi być wykonany przez wykwalifikowany personel, zgodnie z przepisami, normami i uregulowaniami prawnymi, oraz według niniejszej instrukcji.

2.1 - Kontrole wstępne przed montażem

Przed rozpoczęciem montażu konieczne jest sprawdzenie, czy części produktu nie uległy uszkodzeniu, czy wybrany model jest odpowiedni oraz, czy miejsce instalacji spełnia stawiane wymagania:

- Upewnić się, że wszystkie materiały, z których będzie się korzystać są w doskonałym stanie i są odpowiednie do przewidzianego użycia.
- Upewnić się, że warunki użytkowania spełniają wymagania dla zastosowania produktu (punkt 2.2) i mieszczą się w zakresach podanych w „Parametrach technicznych produktu”.
- Upewnić się, że miejsce wybrane do instalacji jest odpowiednie ze względu na całkowite wymiary produktu (**rys. 1**).
- Upewnić się, że powierzchnia wybrana do zainstalowania produktu jest solidna i gwarantuje stabilne zamocowanie.
- Upewnić się, że miejsce, w którym ma zostać zamontowany produkt nie może ulec podtopieniu; ewentualnie zainstalować produkt na odpowiedniej wysokości od podłoża.
- Upewnić się, że przestrzeń wokół produktu zapewnia łatwy i bezpieczny dostęp.
- Upewnić się, że wszystkie użyte przewody elektryczne są rodzaju podanego w Tabeli 2.
- Upewnić się, że automatyka jest wyposażona w mechaniczne ograniczniki zarówno otwierania, jak i zamykania.

2.2 - Ograniczenia w użytkowaniu

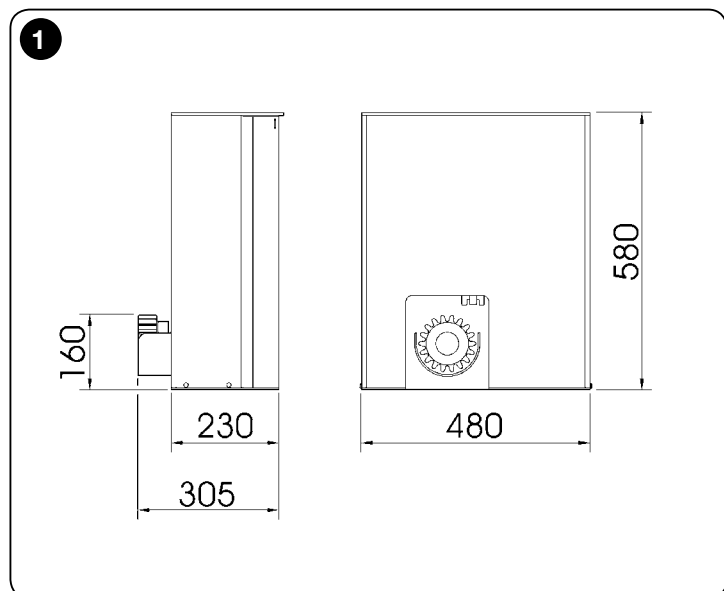
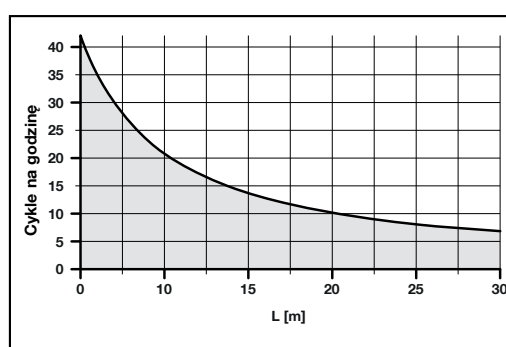
Dane dotyczące wydajności TUB4000 są zamieszczone w rozdziale „13 Parametry techniczne” i są one jedynymi wartościami umożliwiającymi właściwą ocenę odpowiedniości użycia.

Zazwyczaj TUB4000 może sterować bramami o masie do 4000 kg i długości do 30 m, zgodnie z ograniczeniami podanymi w Tabeli 1.

TABELA 1

Długość skrzydła w metrach	Maksymalna liczba cykli/godzinę
Do 5	42
5÷10	21
10÷15	14
15÷20	10
20÷25	8
25÷30	7

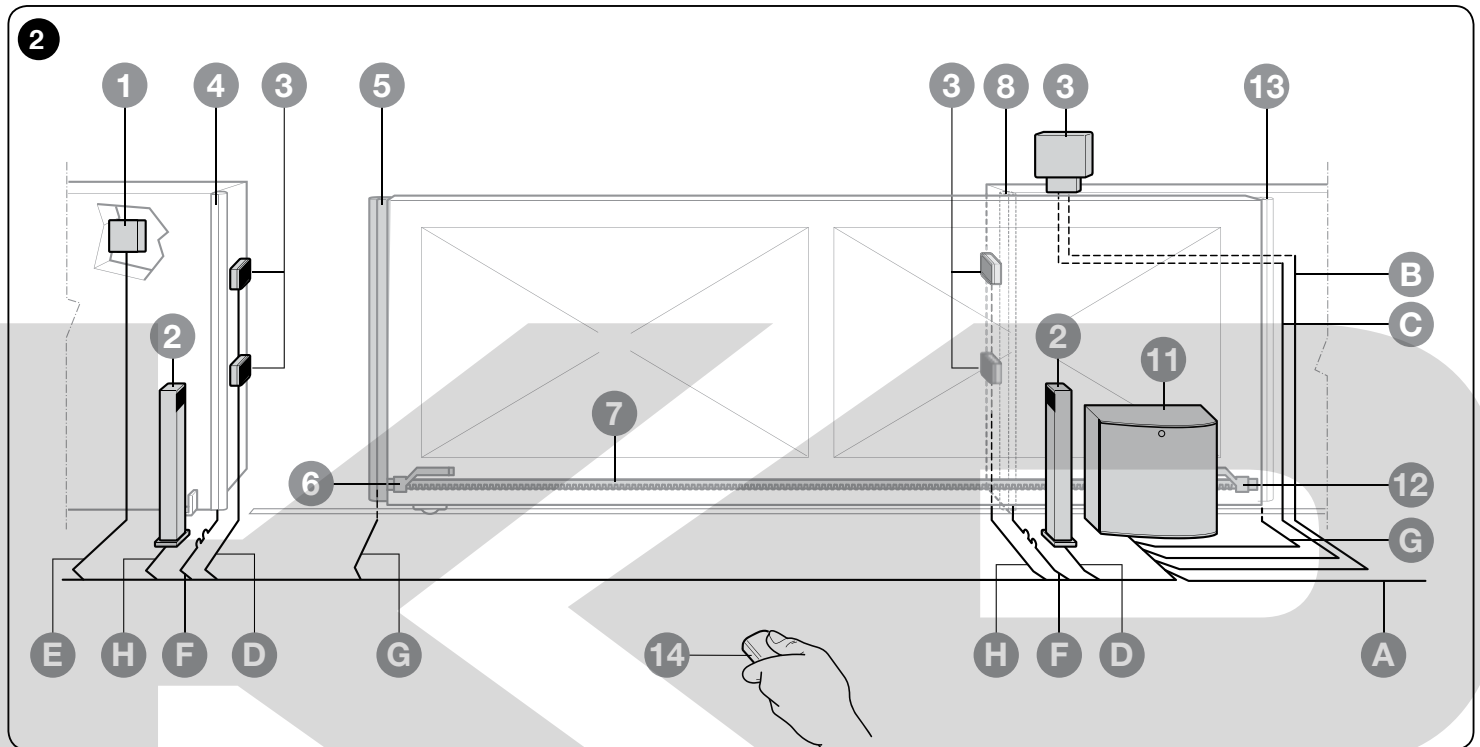
Przedstawienie graficzne cykli godz. w zależności od długości bramy.



2.3 - Typowa instalacja

Na rys. 2 zamieszczono typową instalację automatyki bramy przesuwnej z użyciem TUB4000.

- 1 Przełącznik kluczykowy
- 2 Fotokomórki na kolumienc
- 3 Fotokomórki FOTO
- 4 Listwa główna stała (opcja)
- 5 Listwa główna ruchoma
- 6 Uchwyt wyłącznika krańcowego „Otwarty”
- 7 Listwa zębata
- 8 Listwa podrzędna stała (opcja)
- 9 Lampa ostrzegawcza
- 10 Antena
- 11 Silnik
- 12 Uchwyt wyłącznika krańcowego „Zamknięty”
- 13 Listwa drugorzędna ruchoma (opcja)
- 14 Nadajnik radiowy



2.4 - Mocowanie motoreduktora

Jeśli powierzchnia podparcia już istnieje, mocowanie motoreduktora należy wykonać bezpośrednio na tej powierzchni, wykorzystując do tego celu odpowiednie środki jak na przykład kołki rozporowe.

W przeciwnym przypadku, w celu zamocowania motoreduktora należy:

01. Wykonać wykop fundamentowy o odpowiednich wymiarach.
02. Przygotować jedną lub kilka rur do przewodzenia przewodów elektrycznych, jak na rys. 5.
03. Złożyć 4 śruby fundamentowe z ostrogami na płytę, nakładając jedną nakrętkę pod i jedną nad płytą; nakrętkę pod płytą należy przykręcić jak na rys. 3 tak, aby część gwintowana wystawała jak najbardziej ponad płytę.
04. Wylać beton i, zanim zacznie się wiązać, umieścić płytę fundamentową; sprawdzić, czy jest równoległa do skrzydła i doskonale wypoziomowana, jak na rys. 5. Poczekać na całkowite związanie betonu.
05. Wyjąć blachę motoreduktora wykonując działanie odwrotne do działania na rys. 7.
06. Oprzeć motoreduktor na płycie fundamentowej i ustawić go równoległe do skrzydła, następnie przymocować z siłą do 4 śrub fundamentowych i 4 nakrętek oraz odpowiednich nakrętek, jak przedstawiono na rys. 6.
07. Odblokować koło zębate w sposób opisany w punkcie „Odblokowanie i przesuw ręczny” w rozdziale „Instrukcje i ostrzeżenia przeznaczone dla użytkownika motoreduktora TUB4000”
08. Otworzyć całkowicie skrzydło, oprzeć pierwszy odcinek listwy zębatej na kole zębatej i sprawdzić, czy początek listwy odpowiada początkowi skrzydła. Upewnić się, że luz między kołem zębata a listwą zębatą wynosi 2÷3 mm, następnie, przy użyciu odpowiednich elementów, przymocować listwę zębatą do skrzydła.
09. Przesunąć skrzydło i wykorzystywać zawsze koło zębate jako punkt odniesienia do mocowania następnych elementów listwy zębatej.
10. Odciąć ostatni, nadmiarowy, odcinek listwy zębatej.
11. Wykonać szereg ruchów polegających na zamykaniu i otwieraniu i sprawdzić, czy listwa zębata przechodzi prawidłowo po kole zębata, z odstępstwem liniowym nie większym niż 10 -15 mm, i czy na całej jej długości jest zachowany luz 2÷-3 mm pomiędzy kołem zębata a listwą zębatą.
12. Przymocować uchwyty wyłączników krańcowych „Otwarcia” i „Zamknięcia” za pomocą odpowiednich kołków do zewnętrznych końców listwy zębatej, jak przedstawiono na rys. 4. Należy pamiętać, że w razie zadziałania wyłączników krańcowych, skrzydło będzie się poruszać przez kolejne 2÷3 cm; zaleca się umieszczenie uchwytów wyłączników krańcowych z odpo-

wiednim marginesem na zderzakach mechanicznych.

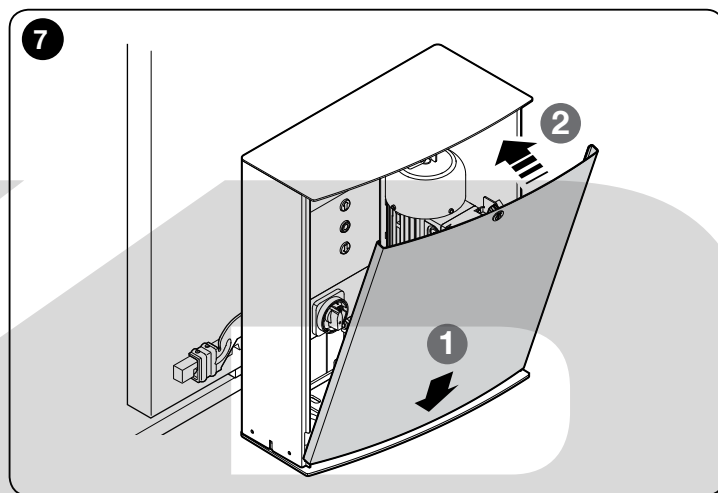
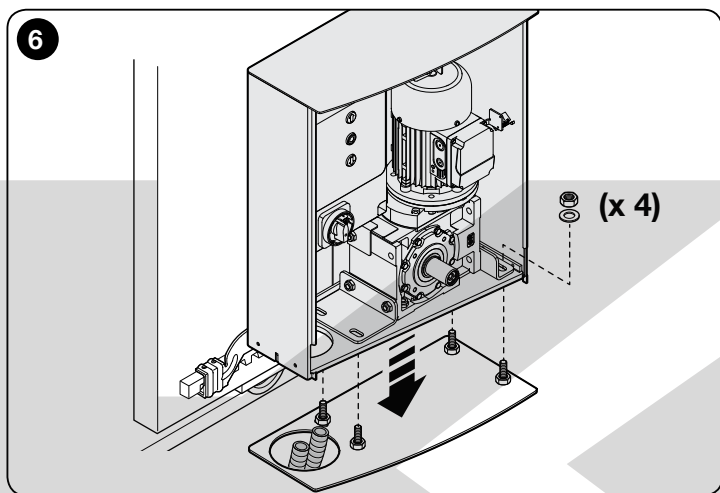
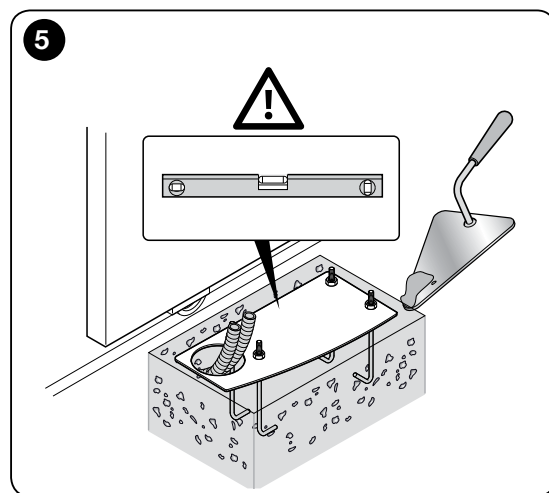
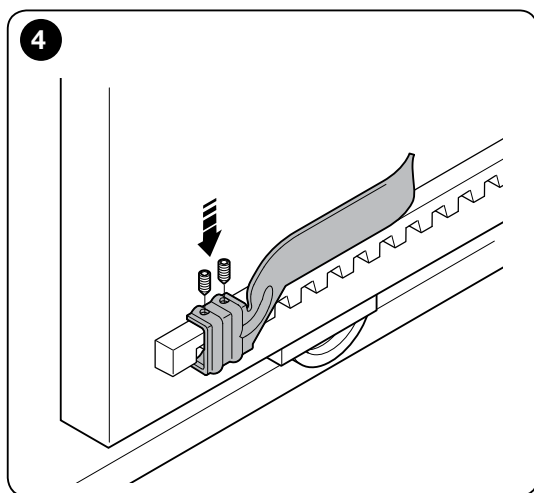
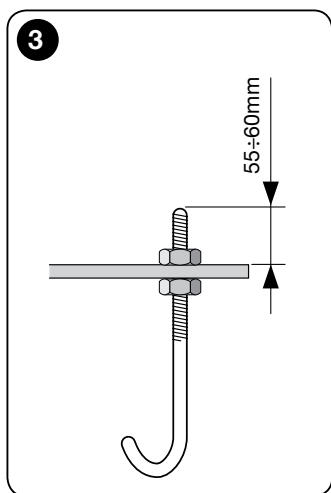
13. Wykonać działanie przeciwne do działania wykonanego w punkcie 07 i zablokować koło zębate.
14. Przymocować blachę do TUB4000 w sposób przedstawiony na rys. 7 i upewnić się, że dźwignia wyłącznika krańcowego ponad kołem zębatym może się swobodnie poruszać.
15. Zamknąć drzwi motoreduktora i upewnić się, że jest włączony mikrowyłącznik bezpieczeństwa znajdujący się z prawej strony silnika elektrycznego.

▲ Aby masa skrzydła nie obciążała motoreduktora, ważne jest aby luz między zębatką i kołem zębatym wynosił 2÷3 mm.

2.5 - Montaż różnych urządzeń centrali

Wykonać montaż innych, przewidzianych urządzeń, przestrzegając odpowiednich instrukcji. Zapoznać się z rozdziałem (DPRO500) w celu poznania urządzeń, które mogą być podłączone do TUB4000.

UWAGA! – Wszystkie połączenia elektryczne muszą być wykonane po odcięciu zasilania, przez fachowy, wykwalifikowany personel, posiadający niezbędne narzędzia, jak również w pełnym poszanowaniu przepisów, norm i uregulowań prawnych.



3 POŁĄCZENIA ELEKTRYCZNE

W typowej instalacji przedstawionej na **rys. 3** przedstawione są także przewody niezbędne do podłączenia różnych urządzeń; w tabeli 2 zostały przedstawione charakterystyki przewodów.

Zastosowane kable powinny odpowiadać rodzajowi instalacji, na przykład zaleca się użycie kabla typu H05VV-F do instalowania we wnętrzach lub przewód H07RN-F do instalowania na zewnątrz.

TABELA 2 - Dane techniczne przewodów elektrycznych (rys. 2)

Połączenie	Typ kabla:	Maksymalna dozwolona długość
A: Linia elektryczna zasilająca	1 kabel 4 x 1,5 mm ²	30 m (uwaga 1)
B: Lampa ostrzegawcza	1 kabel 2 x 1 mm ²	20 m (uwaga 7)
C: Antena	1 kabel ekranowany typu RG58	(zaleca się krótszy od 5 metrów)
D: Fotokomórki nadajnika	1 kabel 2 x 0,25 mm ²	30 m (uwaga 3)
E: Przelącznik kluczykowy	2 kable 2 x 0,25 mm ²	50 m (uwaga 2)
F: Listwy stałe	1 kabel 2 x 0,5 mm ²	30 m (uwagi 4 - 6)
G: Listwy ruchome	1 kabel 2 x 0,5 mm ²	30 m (uwagi 4 - 5 - 6)
H: Fotokomórki odbiornika	2 kable 2 x 0,25 mm ²	30 m (uwagi 2 - 3)

Uwaga 1 – Jeśli przewód zasilający jest dłuższy niż 30 m, należy zastosować przewód o większym przekroju, na przykład 4 x 2,5 mm² oraz niezbędne jest dodatkowe uziemienie w pobliżu automatyki.

Uwaga 2 – Dwa kable 2 x 0,25 mm² mogą być zastąpione jednym kablem 4 x 0,25 mm².

Uwaga 3 – Używać kabli ekranowanych, jeśli długość przekracza 30 m, łącząc osłonę z uziemieniem wyłącznie po stronie centrali.

Uwaga 4 – W szczególnych zastosowaniach może być konieczne użycie kilku listew krawędziowych. Jeśli zastosowano więcej niż jedną listwę, patrz instrukcja w celu poznania rodzaju zalecanego połączenia.

Uwaga 5 – Do połączenia listew ruchomych na skrzydłach przesuwnych należy wykorzystać odpowiednie urządzenia, które pozwalają na połączenie elektryczne również wtedy, kiedy skrzydło jest w ruchu.

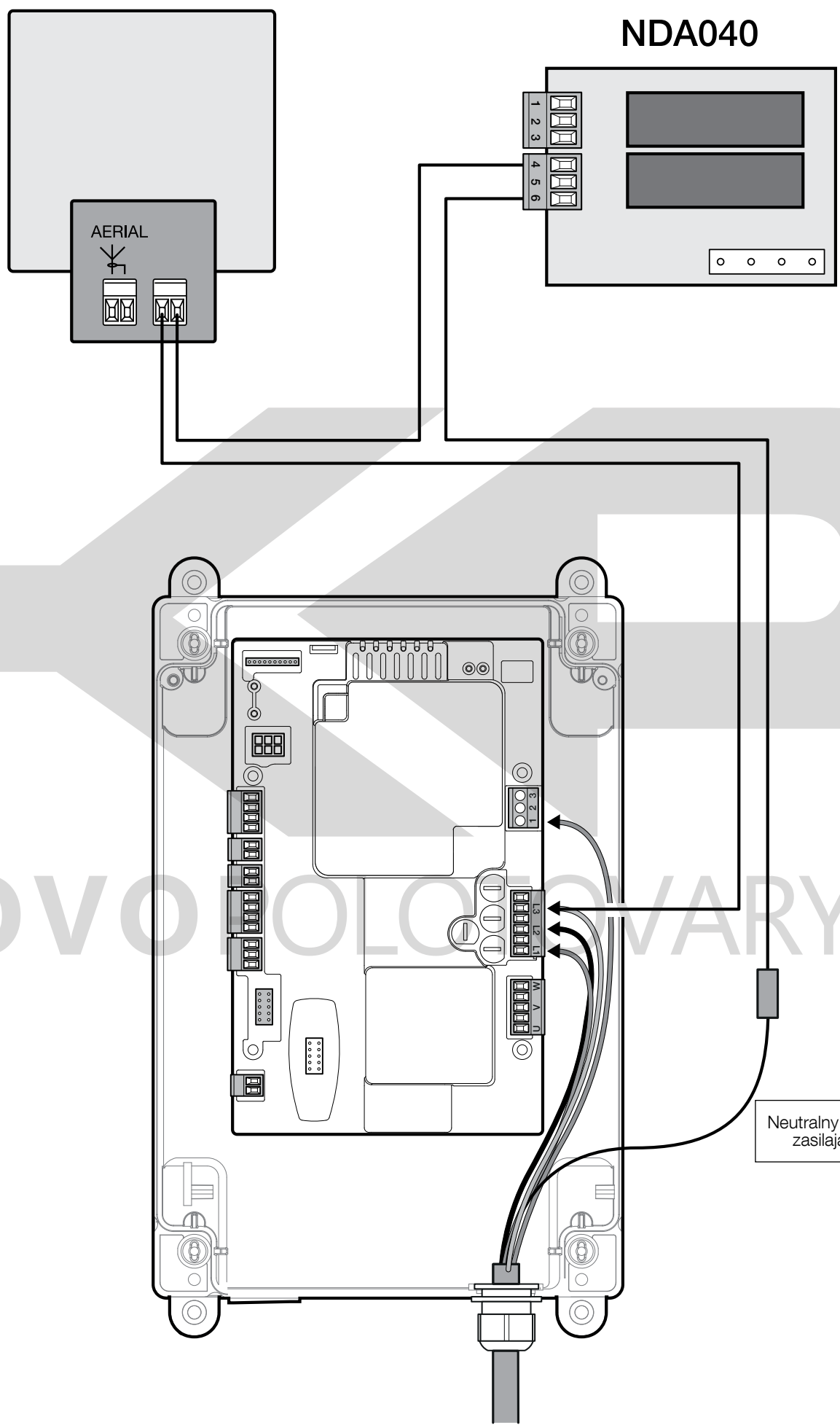
Uwaga 6 – Liczba przewodów koniecznych do podłączenia listew ruchomych lub stałych zależy od użytej techniki w celu zagwarantowania wymaganej kategorii bezpieczeństwa. Przykład odnosi się do listew TCB65 podłączonych do interfejsów TCE.

Uwaga 7 – Można podłączyć lampę ostrzegawczą 230Vac. W celu uzyskania informacji na temat połączeń, patrz rys. A.

UWAGA! – Zastosowane kable muszą być przeznaczone dla rodzaju otoczenia, w którym odbywa się ich montaż.

Po wykonaniu połączeń elektrycznych, należy się zapoznać z rozdziałem 7 (DPRO500), w którym wyjaśniono procedury pierwszego uruchomienia urządzeń zabezpieczających i wyłączników krańcowych.

A



PL

4 ODBIÓR I PRZEKAZANIE DO EKSPLOATACJI

Odbiór oraz przekazanie do eksploatacji są najważniejszymi etapami podczas realizacji systemu automatyki, od których zależy zagwarantowanie maksymalnego bezpieczeństwa. Próbę można również przeprowadzać okresowo, w celu skontrolowania stanu urządzeń, z których składa się automatyka.

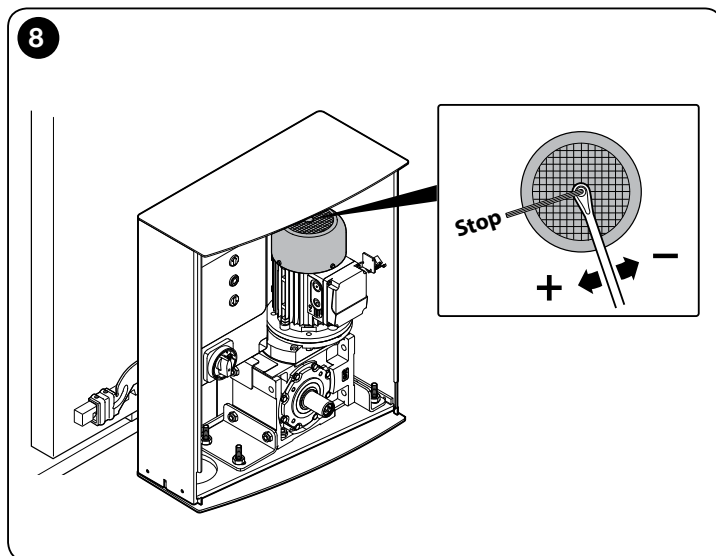
Fazy te muszą zostać przeprowadzone przez wykwalifikowany i doświadczony personel, który musi wziąć na siebie obowiązek określenia, jakie próby należy przeprowadzić, aby skontrolować rozwiązania zapobiegające możliwym zagrożeniom oraz zgodność z wymaganiami stawianymi przez przepisy, normy i rozporządzenia: w szczególności wymogi normy EN 12445, określającej metody kontroli automatyki do bram z napędem. Urządzenia dodatkowe muszą zostać poddane specjalnej próbie, zarówno pod względem działania, jak i prawidłowej współpracy z centralą; w tym celu należy się zapoznać z instrukcją obsługi poszczególnych urządzeń.

4.1 - Próba odbiorcza

Kolejność czynności przeprowadzanych podczas próby technicznej, opisana poniżej, odnosi się do typowej instalacji (**rys. 2**):

- 1 Sprawdzić, czy są przestrzegane wszystkie zalecenia z rozdziału „Instrukcje i ostrzeżenia dotyczące montażu”.
- 2 Przy użyciu urządzeń sterowniczych (nadajnika, przycisku sterującego, przełącznika kluczykowego, itp.), należy przeprowadzić próbę otwierania, zamykania i zatrzymania bramy, upewniając się, że ruch skrzydeł jest zgodny z przewidywanym. Zaleca się przeprowadzenie wielu prób, w celu oceny ruchu wykonywanego przez bramę i wykrycia ewentualnych wad montażu, regulacji oraz miejsc szczególnie narażonych na tarcie.
- 3 Sprawdzić po kolei, czy wszystkie zainstalowane urządzenia zabezpieczające działają prawidłowo (fotokomórki, listwy krawędziowe, itp.).
- 4 Jeśli sytuacjom niebezpiecznym powodowanym przez ruch skrzydeł zapobiega się poprzez ograniczenie siły uderzenia, należy przeprowadzić pomiar siły zgodnie z wymaganiami normy EN 12445.
- 5 Sprawdzić, czy odległość zatrzymania skrzydła wynosi 2-3 cm, w przeciwnym razie wyregulować hamulec mechaniczny w następujący sposób (**rys. 8**):
 - a. Przekręcić w prawo i o około pół obrotu nakrętkę obecną w wale silnika;
 - b. Jeśli pół obrotu nie jest wystarczające, przykręcić jeszcze trochę nakrętkę;
 - c. Zwrócić uwagę, by nie dokręcić za mocno nakrętki, ponieważ może całkowicie zablokować silnik elektryczny.

⚠ Przed dokonaniem regulacji hamulca mechanicznego należy wyłączyć zasilanie elektryczne ustawiając na „OFF” główny wyłącznik obecny w centrali.



5 WBUDOWANA CENTRALA STERUJĄCA DPRO500



⚠ WAŻNE!
Przed przeprowadzeniem jakichkolwiek działań lub procedur, należy uważnie przeczytać ostrzeżenia ogólne (str. 1) i informacje na temat ograniczeń zastosowania (punkt 6.2)

5.1 - Opis produktu i przeznaczenie użytkownikowi

Centrala **DPRO500** jest przeznaczona do sterowania siłownikami elektromechanicznymi do napędu bram, bram segmentowych lub rolet.

UWAGA! – Wszelkie inne użycie, różne od opisanego oraz wykorzystanie produktu w warunkach otoczenia odmiennych, niż te, przedstawione w niniejszej instrukcji jest niezgodne z przeznaczeniem i zabronione!

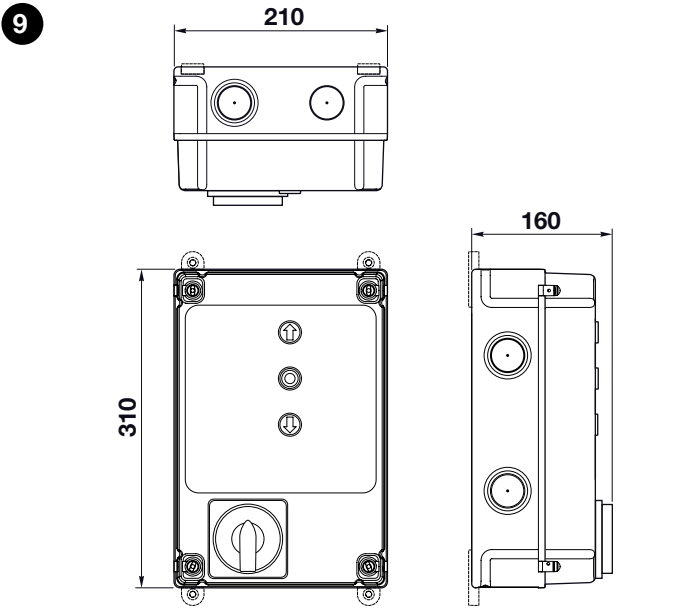
Centrala sterująca może być przyłączona do wszystkich powszechnie stosowanych elementów zabezpieczających. W celu otwarcia lub zamknięcia bramy wystarczy użyć odpowiedniego przycisku zainstalowanego na pokrywie lub przycisku zewnętrznego lub odbiornika radiowego.

6 MONTAŻ

6.1 - Kontrole wstępne przed montażem

Przed rozpoczęciem montażu konieczne jest sprawdzenie, czy części produktu nie uległy uszkodzeniu, czy wybrany model jest odpowiedni oraz, czy miejsce instalacji spełnia stawiane wymagania:

- Upewnić się, że wszystkie materiały, z których będzie się korzystał są w doskonałym stanie i są odpowiednio do przewidzianego użycia.
- Upewnić się, że warunki użytkowania spełniają wymagania dla zastosowania produktu (punkt 6.2) i mieszczą się w zakresach podanych w „Parametrach technicznych produktu”.
- Upewnić się, że miejsce wybrane do instalacji jest odpowiednie ze względu na całkowite wymiary produktu (**rys. 9**).
- Upewnić się, że powierzchnia wybrana do zainstalowania produktu jest solidna i gwarantuje stabilne zamocowanie.
- Upewnić się, że miejsce, w którym ma zostać zamontowany produkt nie może ulec podtopieniu; ewentualnie zainstalować produkt na odpowiedniej wysokości od podłoża.
- Upewnić się, że przestrzeń wokół produktu zapewnia łatwy i bezpieczny dostęp.
- Upewnić się, że wszystkie użyte przewody elektryczne są rodzaju podanego w Tabeli 1.
- Upewnić się, że automatyka jest wyposażona w mechaniczne ograniczniki zarówno otwierania, jak i zamykania.



6.2 - Ograniczenia w użytkowaniu

Z produktu można korzystać wyłącznie w sposób przedstawiony w poniższej tabeli:

Zasilanie centrali	Rodzaj silnika*
Trójfazowe 3x400 Vac - 50/60Hz	Trójfazowy 3x400 Vac - 50/60 Hz enkodem Nice lub mechanicznymi ogranicznikami krańcowymi
Jednofazowe 1x230 Vac - 50/60Hz	Trójfazowy 1x230 Vac - 50/60 Hz enkodem Nice lub mechanicznymi ogranicznikami krańcowymi

(* Zgodnie z odpowiednimi ograniczeniami zastosowania.

Dla silników jednofazowych, patrz punkt 7.2.

⚠ UWAGA! – Centrala sterująca opisana w niniejszej instrukcji nie może być użytkowana w otoczeniu zagrożonym wybuchem.

Ważne – Przed przeprowadzeniem instalacji, należy przygotować przewody elektryczne potrzebne w Państwa instalacji, odnosząc się do „Tabeli 1 - Parametry techniczne kabli elektrycznych”.

⚠ Uwaga! – Podczas układania przewodów rurowych prowadzących kable elektryczne i wprowadzania kabli do obudowy centrali, należy wziąć pod uwagę, że, z powodu możliwego gromadzenia się wody w studziencie rozgałęźnej, przewody rurowe mogą powodować powstawanie w centrali skroplin, które mogą uszkodzić obwody elektroniczne.

6.3 - Montaż centrali sterującej

W celu zamocowania centrali sterującej, należy:

- 01. Otworzyć obudowę centrali:** odkręcić śruby w sposób przedstawiony na **rys. 10-A / rys. 10-B**;
- 02.** Wykonać otwory do przeprowadzenia przewodów elektrycznych sterowniczych i/lub sygnalizacyjnych urządzeń dodatkowych. W tym celu, również aby zachować stopień ochrony IP, zaleca się użycie odpowiedniego narzędzia.

TABELA 1 - Dane techniczne przewodów elektrycznych

Połączenie	Typ kabla:	Maksymalna dozwolona długość
Kabel ZASILAJĄCY CENTRALI STERUJĄCEJ - trójfazowe - jednofazowe	4 x 1 mm ² 3 x 0,75 mm ²	5 m (uwaga 1) 2 m (uwaga 1)
Kabel SILNIKA	do motoreduktorów Nice, odpowiednie kable w sprzedaży jako urządzenia dodatkowe. do różnych marek, złożyć zamówienie u producenta motoreduktora	5 - 7 - 11 m
Kabel LAMPY OSTRZEGAWCZEJ z anteną	2 x 1 mm ² (do lampy ostrzegawczej 230Vac) kabel ekranowany typu RG58 (do anteny)	10 m
Kabel FOTOKOMÓREK	4 x 0,5 mm ²	10 m
Kabel PRZEŁĄCZNIKA KLUCZYKOWEGO	2 kable 2 x 0,25 mm ²	10 m (uwaga 2)
Kabel SPIRALNY do listwy krawędziowej	kabel spiralny Nice dostępny jako urządzenie dodatkowe	50 m

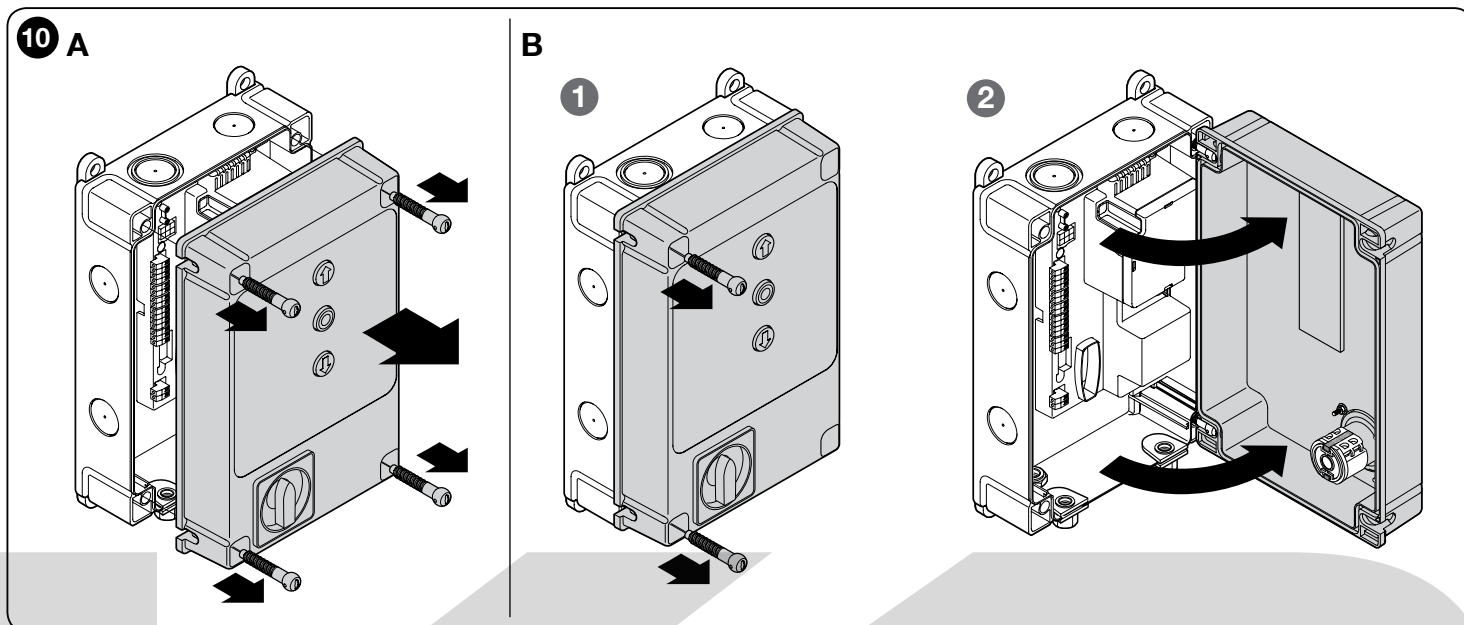
Uwaga 1 – Jeśli kabel zasilający przekracza maksymalną dopuszczalną długość, należy użyć kabla o większym przekroju

Uwaga 2 – Te 2 kable można zastąpić 1 pojedynczym kablem 4 x 0,5 mm²

UWAGA! – Zastosowane kable muszą być przeznaczone dla rodzaju otoczenia, w którym odbywa się ich montaż.

dzia (np. wiertła kubelkowego), wykonując otwory w przygotowanych miejscach w dolnej części obudowy. W razie konieczności, można skorzystać z bocznych wejść na kable, ale wyłącznie z użyciem odpowiednich złączek do przewodów rurowych;

03. Na tym etapie można przeprowadzić wszystkie połączenia elektryczne: informacje na ten temat zawarto w rozdziale 7. W celu przeprowadzenia montażu innych urządzeń będących częścią automatyki, należy się zapoznać z odpowiednimi instrukcjami obsługi.



7 POŁĄCZENIA ELEKTRYCZNE

UWAGA!

- Wszystkie połączenia elektryczne muszą być przeprowadzane przy odłączonym zasilaniu;
- Połączenia mogą być wykonane wyłącznie przez wykwalifikowanych specjalistów.
- Na linii zasilania elektrycznego należy zainstalować urządzenie, które zapewni całkowite odłączenie automatyki od sieci. W urządzeniu odłączającym powinny się znajdować styki oddalone od siebie w stanie otwarcia na taką odległość, która umożliwi całkowite odłączenie w warunkach określonych przez III kategorię przepięciową, zgodnie z zasadami montażu. W razie potrzeby, urządzenie to gwarantuje szybkie i bezpieczne odłączenie zasilania; z tego powodu należy je umieścić w widocznym miejscu. Jeśli jednak zostanie umieszczone w niewidocznym miejscu, musi być wyposażone w system blokujący ewentualne przypadkowe przyłączenie zasilania, w celu zapobiegnięcia powstaniu niebezpiecznych sytuacji. Urządzenie rozłączające nie jest dostarczane z produktem.
- **Wybór napięcia zasilania:**
Centrala może funkcjonować prawidłowo z zasilaniem trójfazowym lub jednofazowym (patrz schematy połączeniowe) z napięciami 400V lub 230V. Ustawienie domyślne jest dla zasilania trójfazowego 400V. Aby wybrać zasilanie jednofazowe 230V, należy działać zgodnie z instrukcją w rozdziale 7.2

7.1 - Przyłączenie kabla zasilania trójfazowego

W celu przeprowadzenia połączenia elektrycznego należy się odnieść do rys. 11. Do zacisków L1, L2, L3 i zacisku PE należy przyłączyć wtyczkę CEE 16A.

7.2 - Przyłączenie kabla zasilania jednofazowego

W celu przeprowadzenia połączenia elektrycznego należy się odnieść do rys. 12. Do zacisków L1, L3 i zacisku PE należy przyłączyć wtyczkę Schuko.

7.3 - Zmiana zasilania za pomocą zworki

Zasilanie centrali może być zmienione również w następujący sposób za pomocą zworki (rys. 13)

01. Zdjąć górną pokrywę
02. Wyjąć zworkę (położenie domyślne 3x400V) za pomocą szczypców
03. Włożyć zworkę (1x230V)
04. Ponownie włożyć górną pokrywę

7.4 - Opis połączeń elektrycznych (rys. 14): zasilanie, urządzenia ochronne, sterownicze i dodatkowe

Do wejść 8, 9, 10, 11 można przyłączyć urządzenia sterownicze ze stykami typu „Normalnie otwarty” (NO) lub „Normalnie Zamknięty” (NC). Można więc wykorzystać jedno lub kilka z tych wejść lub ich kombinację, oprócz wejść STOP/ALT, do przyłączenia zewnętrznej klawiatury lub wyłącznika z liną przyłączoną do sufitu.

PUSH BUTTONS - wejście do przyłączenia klawiatury znajdującej się na pokrywie obudowy.

ENCODER - wejście do przyłączenia okablowania elektronicznego ogranicznika krańcowego (enkodera Nice). Użycie nie jest możliwe w tej wersji.

COMMON (8) - wejście 24 Vdc wspólne dla wejść OPEN, CLOSE i ING1 i dodatkowo dla napięcia urządzeń.

OPEN (9): - wejście dla urządzeń, które sterują ruchem otwierania, można podłączyć tu styki typu „Normalnie Otwarty”.

CLOSE (10): - wejście dla urządzeń, które sterują ruchem zamykania; można podłączyć tu styki typu „Normalnie Otwarty”.

ING1-photo- (11) - wejście Normalnie Zamknięte (NC) do urządzeń sterujących ruchem automatyki. Jeśli wejście to zostanie odpowiednio zaprogramowane przy użyciu programatora Nice Oview, można uzyskać następujące tryby funkcjonowania:

- Krok po Kroku
- Otwórz częściowo
- Otwórz
- Zamknij
- Foto (default)
- Foto 1
- Alt podczas manewru otwarcia
- Alt podczas manewru zamknięcia

W celu uzyskania informacji na temat programowania i opisu dostępnych funkcji należy się zapoznać z kartami funkcji Oview dla DPRO500.

ALT - wejście dla urządzeń zatrzymujących trwający manewr; należy do niego przyłączyć styki typu „Normalnie zamknięty”.

SAFE - wejście do przyłączenia urządzenia do ochrony termicznej silnika.
UWAGA! - Jest używane jedynie przy silnikach z mechanicznymi ogranicznikami krańcowymi. Należy je pozostawić „niepodłączone” w silnikach z elektronicznym ogranicznikiem krańcowym.

LIMIT SWITCH - wejście do przyłączenia mechanicznych ograniczników krańcowych.
(1) Wspólny ogranicznik krańcowy
(2) fotokomórka otwiera
(3) wstępny ogranicznik krańcowy zamyka
(4) fotokomórka zamyka


STOP - wejście służące do podłączenia listew krawędziowych typu opornościowego (8k2) lub optycznych (OSE) jak opisano poniżej (rys. 15):
Połączenie OSE:

- 5 → dodatnie 12Vdc (+) (przewody brązowe)
- 6 → sygnał (S) (przewody zielone)
- 7 → ujemne GND (-) (przewody białe)

Połączenie 8k2:

- Przyłączyć rezystancję 8,2 kΩ między zaciskiem 6 (sygnał - S) i 7 (ujemny - GND)

IBT4N - wejście do przyłączenia programatora Oview przy użyciu odpowiedniego dopasownika IBT4N. UWAGA - przed podłączeniem/odłączeniem programatora należy odłączyć zasilanie.

ANTENA  - wejście do przyłączenia anteny odbiornika radiowego (uwaga: antena jest wbudowana w lampy ostrzegawcze Nice LUCY B, MBL, MLBT).

OUT (ZŁĄCZE DO NDA040) - złącze do karty urządzenia dodatkowego NDA040, która posiada dwa wyjścia ze stykami bezpotencjałowymi. Wyjścia te mogą być odpowiednio zaprogramowane przy użyciu programatora Nice Oview. W celu uzyskania wskazówek na temat programowania i opisu dostępnych funkcji należy się zapoznać z instrukcją karty dodatkowej NDA040.

SILNIK - wyjście do połączenia silnika trójfazowego i jednofazowego.

Dla silników jednofazowych:

U - wspólny

V - otwiera

W - zamyka

LINE - wejście do przyłączenia zasilania elektrycznego.

L1-L2-L3: połączenie TRÓJFAZOWE

L1-L3: połączenie JEDNOFAZOWE

 **PE** - wejście do przyłączenia uziemienia centrali sterującej i silników.

WAŻNE!

ODRADZA SIĘ przyłączania jakiegokolwiek urządzenia lub elementu dodatkowego, które nie zostało wyraźnie wskazane w niniejszej instrukcji.

Producent uchyła się od odpowiedzialności za ewentualne szkody spowodowane przez niewłaściwe użytkowanie urządzeń będących częścią systemu, niezgodne z zaleceniami niniejszej instrukcji.

Dodatkowe informacje można uzyskać w serwisie technicznym Nice.

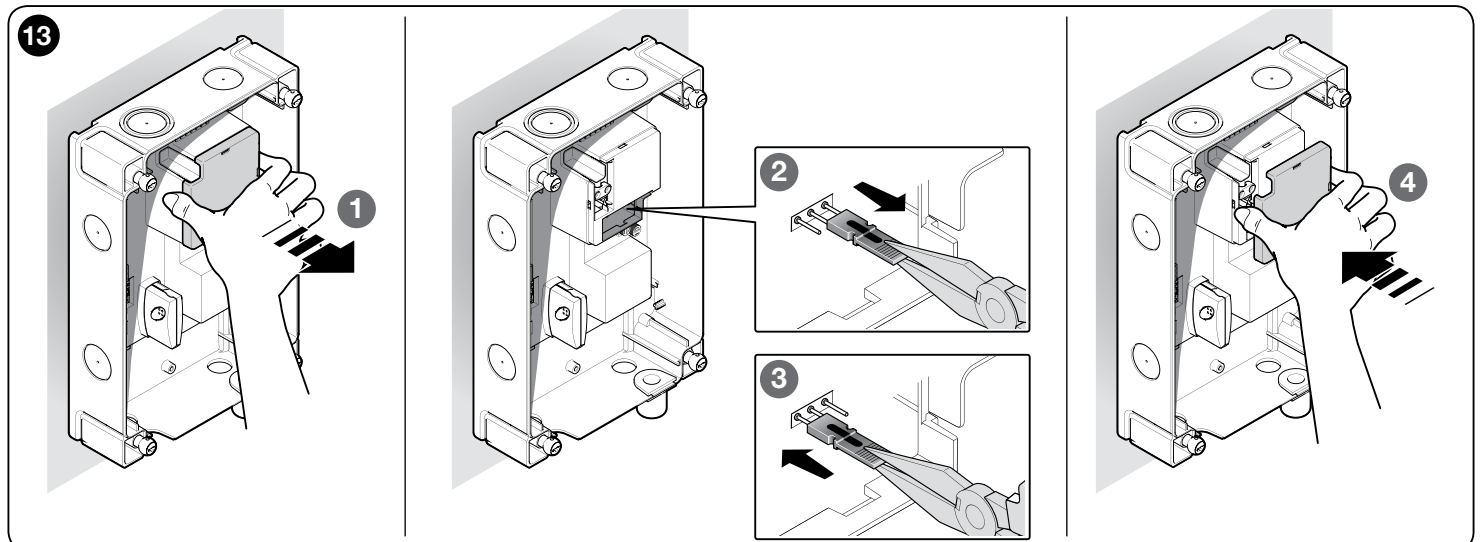
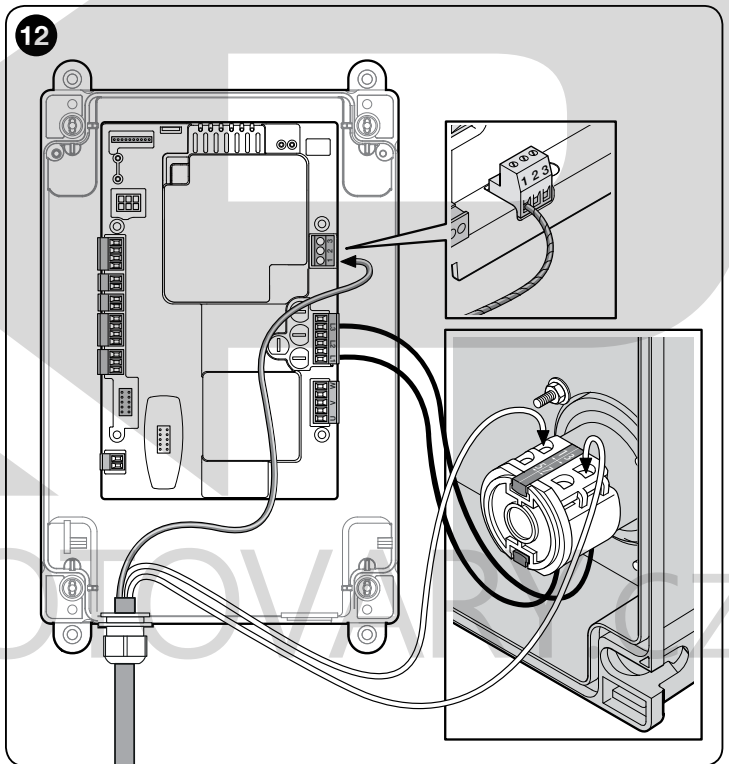
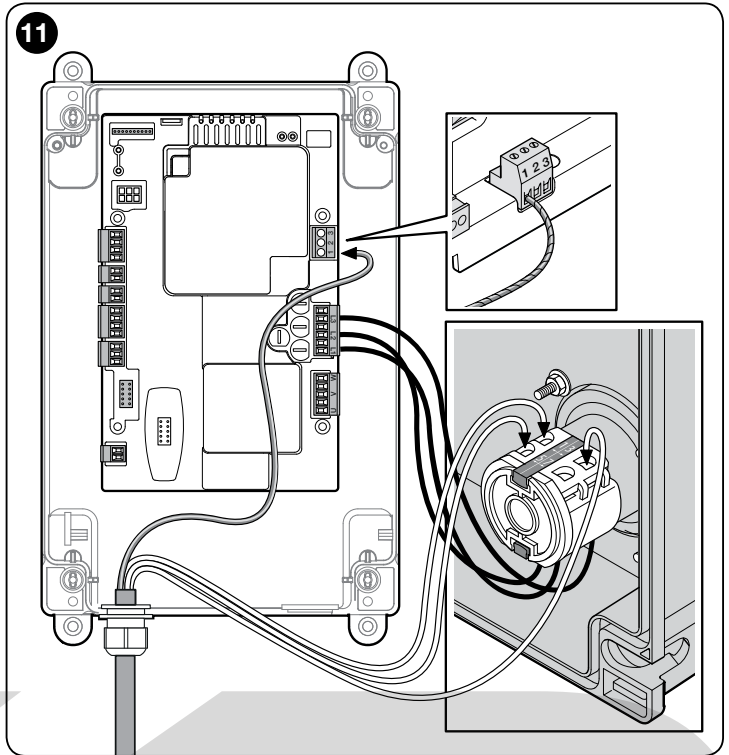
7.5 - Połączenia elektryczne centrali sterującej

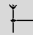

UWAGA! – Wszystkie połączenia elektryczne muszą być wykonane przy odłączonym zasilaniu.

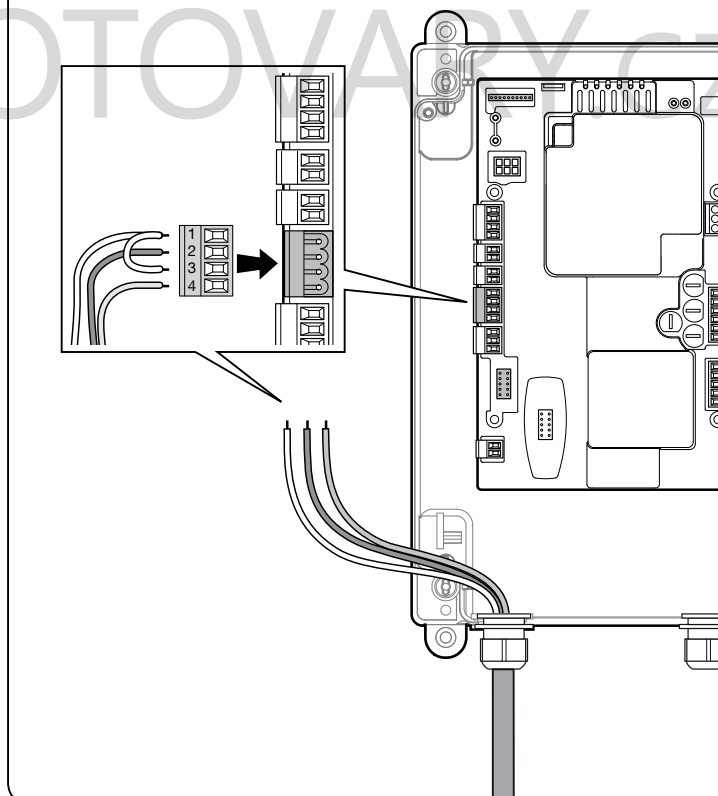
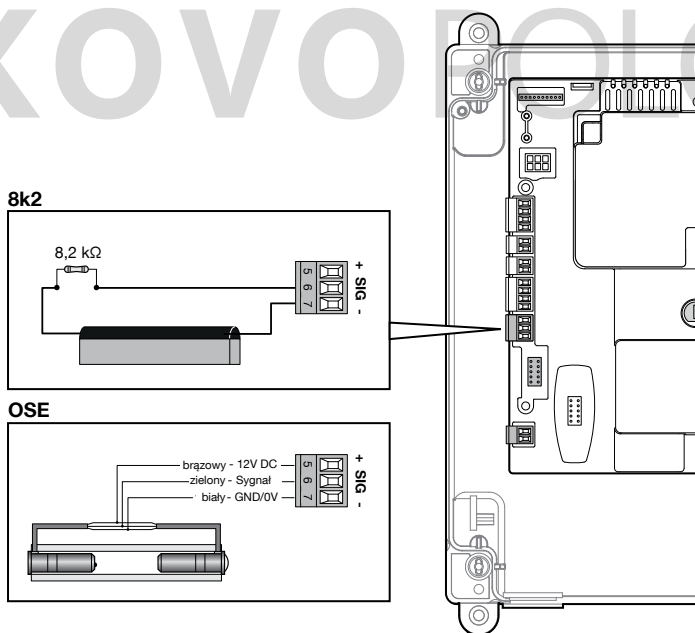
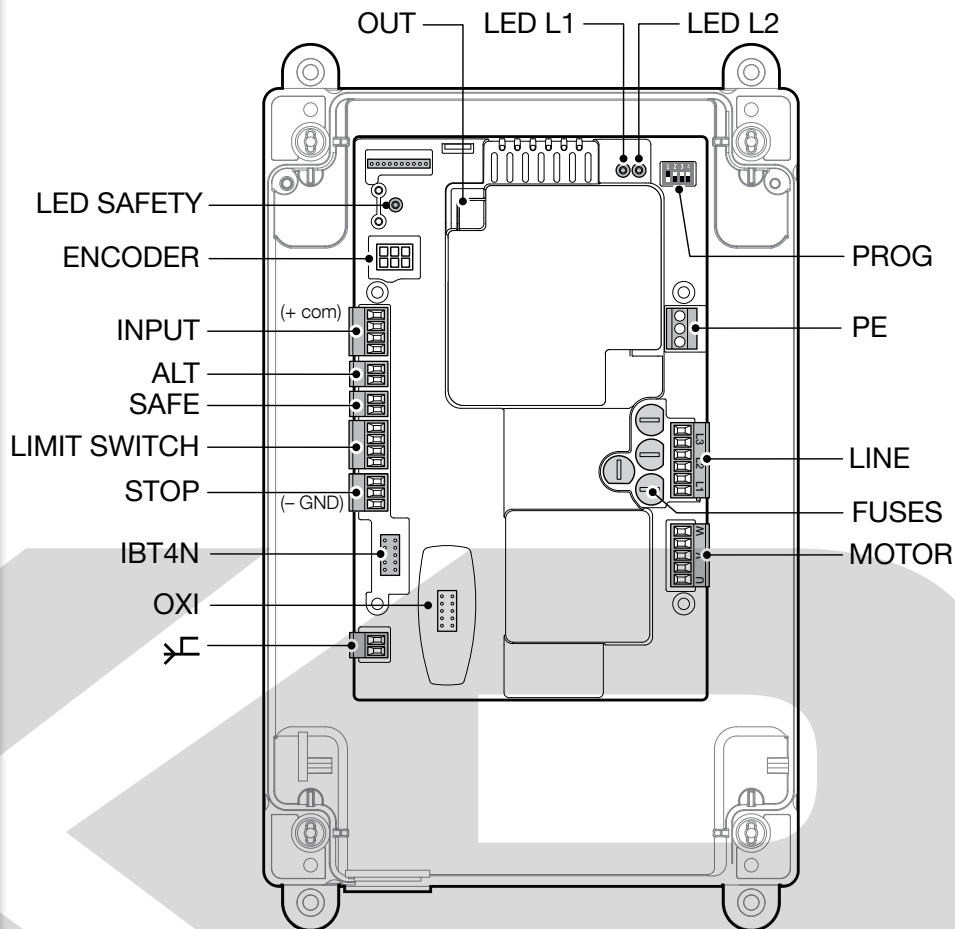
Po przymocowaniu obudowy centrali sterującej i wykonaniu otworów do przeprowadzenia przewodów elektrycznych (patrz punkt 6.3), należy wykonać połączenia elektryczne w następujący sposób:

- 01.** Najpierw przymocować kabel zasilania elektrycznego:
 - dla linii **trójfazowej** patrz punkt 3.1 i **rys. 11**
 - dla linii **jednofazowej** patrz punkt 3.2 i **rys. 12**
- 02.** Następnie należy przyłączyć kabel elektryczny wychodzący z silnika:
 - Silnik z mechanicznym wyłącznikiem krańcowym (**rys. 16**)
- 03.** Na końcu należy przyłączyć przewody elektryczne zainstalowanych urządzeń dodatkowych, odnosząc się do **rys. 13** i punktu 7.3.

Uwaga – W celu ułatwienia przyłączenia przewodów, możliwe jest wyjęcie zacisków z gniazd.



LED SAFETY	= Dioda łańcuch bezpieczeństwa
LED L2	= Dioda OK (zielona)
LED L1	= LED Warning (czerwona)
OUT	= otwór na kartę urządzenia dodatkowego NDA040 rozszerzenia wyjść
PROG	= Przełącznik typu Dip-Switch do programowania
ENCODER	= elektroniczny ogranicznik krańcowy
INPUT	= wejścia zewnętrzne (Wspólne, Otwórz, Zamknij, Ing1(PHOTO) 8 - com (+24Vdc wspólne) 9 - open (Otwórz) 10 - close (Zamknij) 11 - photo (ing1)
ALT	= zacisk ALT
SAFE	= tylko do silników z mechanicznymi ogranicznikami krańcowymi (należy je pozostawić niepodłączone w silnikach z elektronicznym ogranicznikiem krańcowym)
LIMIT SWITCH	= mechaniczny ogranicznik krańcowy
STOP	= zacisk STOP do listwy krawędzowej 8K2 lub OSE 5 - dodatni (+) listwy krawędzowej 6 - sygnał listwy krawędzowej 7 - ujemny GND (-)
IBT4N	= złącze do interfejsu IBT4N (niedostarczone)
OXI	= złącze do połączenia odbiorników radiowych ze łączem typu SM (SMXI/OXI)
	= antena
	= podłączenie uziemienia
LINE	= złącze do podłączenia linii zasilającej trójfazowej lub jednofazowej
FUSES	= F1, F2, F3, F4: patrz Parametry techniczne
MOTOR	= silnik



7.6 - Wejście STOP SAFETY EDGE

Wejście SAFETY EDGE pełni funkcję powodowania natychmiastowego zatrzymania wykonywanego manewru oraz późniejszego krótkiego odwrócenia kierunku ruchu.

Do tego wejścia można podłączyć takie urządzenia jak optyczne listwy krawędziowe (OSE) lub wyjście ze stałą rezystancją 8,2 kΩ.

Centrala, na etapie wczytywania, identyfikuje rodzaj przyłączonego urządzenia i powoduje „STOP”, gdy dochodzi do jakiegokolwiek zmiany względem rozpoznanego stanu.

Za pomocą odpowiednich działań, istnieje możliwość podłączenia do wejścia STOP SAFETY EDGE więcej niż jednego urządzenia, nawet różnych rodzajów:

- urządzenia NO: przyłączyć rezystancję 8,2 kΩ równolegle do urządzenia;
- urządzenia NC: przyłączyć rezystancję 8,2 kΩ szeregowo do urządzenia;
- możliwe jest przyłączenie nieograniczonej liczby urządzeń NC połączonych między sobą „szeregowo”;
- jeśli zainstalowano większą liczbę urządzeń, wszystkie one muszą być połączone „kaskadowo” z tylko jedną rezystancją końcową 8,2 kΩ;
- można również utworzyć kombinację typu NO i NC, dysponując dwoma stykami połączonymi „równolegle”. W takim przypadku, należy połączyć „szeregowo” ze stykiem NC rezystancję 8,2 kΩ; umożliwia to utworzenie kombinacji nawet trzech urządzeń: „NO”, „NC” i 8,2 kΩ.

7.7 - Przyłączenie odbiornika radiowego

Centrala sterująca jest wyposażona w złącze typu SM do przyłączenia odbiornika radiowego (element opcjonalny, niedostarczony na wyposażeniu) model SMXI, SMXIS, OXI lub OXIT i podobnych.

W celu wprowadzenia odbiornika radiowego, należy odłączyć zasilanie centrali i wprowadzić odbiornik w sposób przedstawiony na **rys. 17**.

W Tabeli 2 przedstawiono działania wykonywane przez centralę sterującą w zależności od aktywowanych wyjść lub poleceń przesłanych przez odbiornik radiowy.

Uwagi - Pozostałe informacje zawarto w instrukcji obsługi odbiornika.

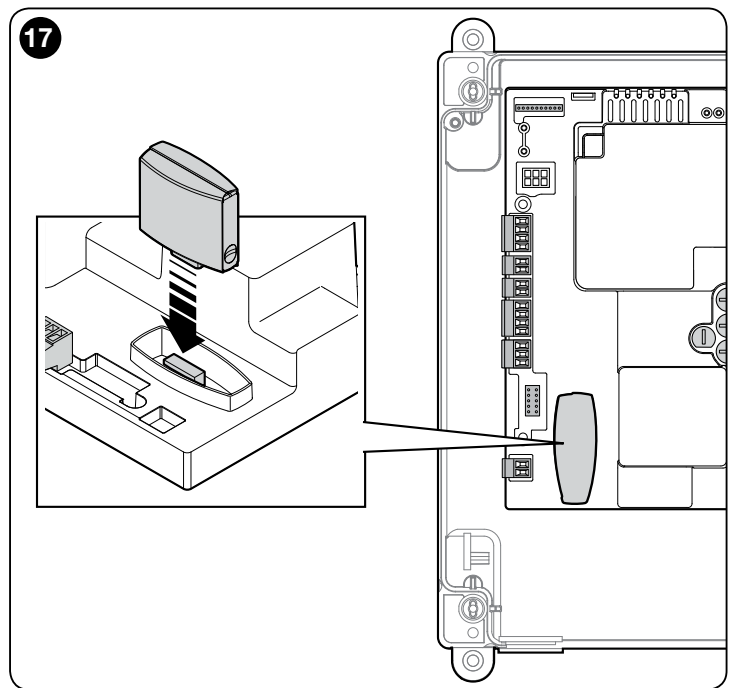
TABELA 2

Odbiornik SMXI, SMXIS w „Trybie 1 lub 2”	
wyjście	opis
Wyjście nr 1	Krok po Kroku
Wyjście nr 2	Otwiera częściowo; <u>wartość ustawiona fabrycznie:</u> otwiera do połowy ustalonego przesuwu (można ją zmienić podczas fazy wyszukiwania położeń lub korzystając z programatora Oview)
Wyjście nr 3	Otwiera
Wyjście nr 4	Zamyka
Odbiornik OXI, OXIT zaprogramowany w „Trybie 2 rozszerzonym”	
polecenie	opis
Polecenie nr 1	Krok po Kroku
Polecenie nr 2	Otwiera częściowo; <u>wartość ustawiona fabrycznie:</u> otwiera do połowy ustalonego przesuwu (można ją zmienić podczas fazy wyszukiwania położeń lub korzystając z programatora Oview)
Polecenie nr 3	Otwiera
Polecenie nr 4	Zamyka
Polecenie nr 5	Stop
Polecenie nr 6	Tryb Krok Po Kroku Zespół mieszkalny
Polecenie nr 7	Krok po kroku wysoki priorytet
Polecenie nr 8	Otwiera częściowo 2
Polecenie nr 9	Otwiera częściowo 3
Polecenie nr 10	Otwiera i blokuje automatykę
Polecenie nr 11	Zamyka i blokuje automatykę
Polecenie nr 12	Blokuje automatykę
Polecenie nr 13	Odblokowuje automatykę
Polecenie nr 14	Światło pomocnicze Timer
Polecenie nr 15	Światło pomocnicze ON/OFF

7.8 - Pierwsze włączenie i kontrola połączeń

Po podłączeniu zasilania do centrali sterującej, należy przeprowadzić następujące kontrole:

- Sprawdzić, czy zielona dioda L2 (w pobliżu przełączników typu Dip-Switch) miga regularnie z częstotliwością 1 mignięcia na sekundę.
- Jeśli instalacja jest wyposażona w fotokomórki, należy sprawdzić, czy ich diody migają (RX); sposób migania nie jest ważny, ponieważ zależy od innych czynników.
- Sprawdzić, czy czerwona dioda LED SAFETY w pobliżu złącza kabla klawiatury jest zaświecona na stałe (patrz Tabelę diagnostyki Led Safety punkt 10.2).



Jeśli przynajmniej jedna z tych kontroli nie jest zgodna z oczekiwaną, konieczne jest odłączenie napięcia od centrali sterującej i sprawdzenie wykonanych wcześniej poszczególnych połączeń elektrycznych.

7.9 - Całkowite wykasowanie pamięci centrali sterującej

W centrali sterującej można wykasować wszystkie zapisane dane i przywrócić ją do stanu początkowego z wartościami ustawionymi fabrycznie.

- Ustawić przełączniki 1-2-3-4 na ON = zielona i czerwona dioda zaczną szybko migać
- Przytrzymać wciśnięty przycisk STOP przez 3 sek. aż zaświecenia stałym światłem czerwonej i zielonej diody
- Zwolnić przycisk STOP
- W tej chwili centrala wykona RESET = zielona i czerwona dioda zaczną szybko migać
- Ustawić przełącznik typu Dip-Switch 1-2-3-4 na OFF

7.10 - Wczytywanie podłączonych urządzeń i pozycji Otwarcia i Zamknięcia

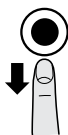
Po pierwszym uruchomieniu (punkt 7.8), przed ustawieniem pozycji Otwarcia i Zamknięcia bramy, należy wykonać wczytywanie urządzeń bezpieczeństwa podłączonych do wejścia „STOP Safety Edge” przez centralę sterującą.

UWAGA! - W fazie wczytywania musi być obecne przynajmniej jedno urządzenie bezpieczeństwa podłączone do centrali sterującej.



- Ustawić przełącznik typu Dip-Switch 1 na ON =
- Zielona dioda zaczyna szybko migać
- Czerwona dioda jest zgaszona
- Przytrzymać wciśnięty przycisk STOP aż do zaświecenia czerwonej diody światłem stałym (po około 3 sekundach)

03. Zwolnić przycisk STOP



Należy powtórzyć tą procedurę w razie wykonania zmian urządzeń podłączonych do zacisku „STOP Safety Edge” (na przykład, po podłączeniu nowego urządzenia do centrali sterującej).

Po wczytaniu urządzeń bezpieczeństwa podłączonych do automatyki, centrala musi rozpoznać położenia Otwarcia i Zamknięcia bramy.

UWAGA! - Następnie, należy wykonać, bez przerwy, procedurę wczytania urządzeń bezpieczeństwa i pozycji Otwarcia i Zamknięcia bramy. Nie jest możliwe wczytanie urządzeń bezpieczeństwa w danej chwili i późniejsze wczytanie pozycji.

7.10.1 - Rozpoznawanie położenia otwarcia i zamknięcia z mechanicznym wyłącznikiem krańcowym

Możliwe jest zaprogramowanie 2 położzeń, w sposób opisany poniżej:

Pozycja enkodera	Znaczenie
Otwarcie	Położenie maksymalnego otwarcia. Po dotarciu w to położenie brama zatrzymuje się.
Zamknięcie	Położenie częściowego zamknięcia. Po dotarciu w to położenie brama zatrzymuje się.

Uwaga! - Jeśli kierunek obrotów nie odpowiada ustawionemu kierunkowi (przycisk Open = kierunek otwierania), należy zamienić miejscami połączenia „V” i „W” (odwrócenie fazy) na złączu silnika (rys. 18).

W celu przeprowadzenia procedury, należy działać w następujący sposób:

01. Ustawić przełącznik typu Dip-Switch 1 na OFF

02. Za pomocą przycisku „Otwórz” przenieść bramę na pozycję maksymalnego otwarcia

03. Za pomocą przycisku „Zamknij” przenieść bramę na pozycję maksymalnego zamknięcia

UWAGA! – Nie należy przerywać faz wczytywania. Jeśli to nastąpi, należy powtórzyć całą procedurę wczytywania. Jeśli po zakończeniu fazy wczytywania czerwona dioda miga 9 razy, pauza, kolejne 9 mignięć, oznacza to, że doszło do błędu.

Jeśli natomiast miga 3 razy-pauza-3 razy skasować błąd naciskając przycisk STOP i odwrócić połączenie wyłącznika krańcowego otwarcia z wyłącznikiem krańcowym zamknięcia w zacisku LIMIT SWITCH (rys. 14).

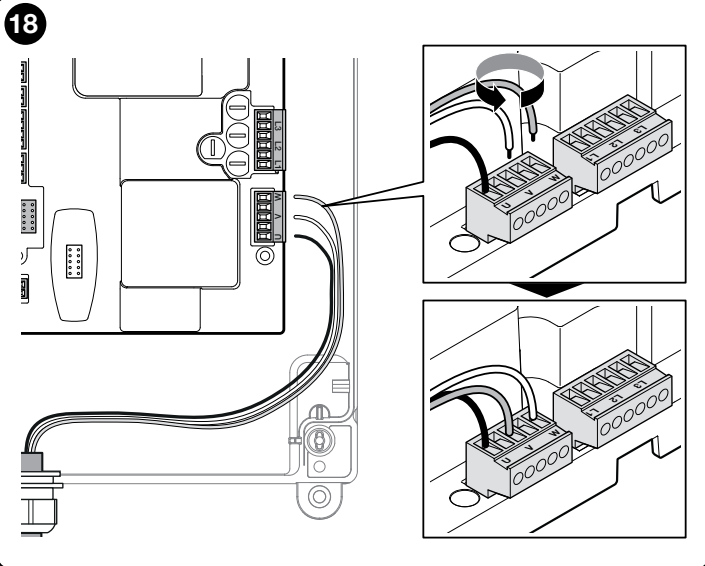
Rozpoznawanie położenia można powtórzyć w dowolnej chwili, również po przeprowadzeniu instalacji.

7.11 - Tryb funkcjonowania

UWAGA! - Jeśli funkcje z tabeli 3 są zaprogramowane przy użyciu programatora Oview, należy ustawić przełącznik Dip switch = OFF.

TABELA 3

DIP1	DIP2	DIP3	DIP4	Funkcja
OFF	OFF	OFF	OFF	Ruch ręczny (manualny)
ON	x	OFF	OFF	Wczytywanie odległości i stan wejścia ALT
OFF	ON	OFF	OFF	Kierunek obrotu enkodera odwrócony
OFF	x	OFF	ON	Tryb przemysłowy (otwiera półautomatyczny – zamyka w trybie manualnym), jeśli odległości są wczytane
OFF	x	ON	OFF	Tryb półautomatyczny, jeśli odległości są wczytane
OFF	x	ON	ON	Tryb automatyczny z możliwym do ustawienia czasem pauzy, jeśli odległości są wczytane (w celu zapisania czasu pauzy, patrz punkt 10.1.2 „Inne funkcje”)



7.12 - Jednostka programowania Oview

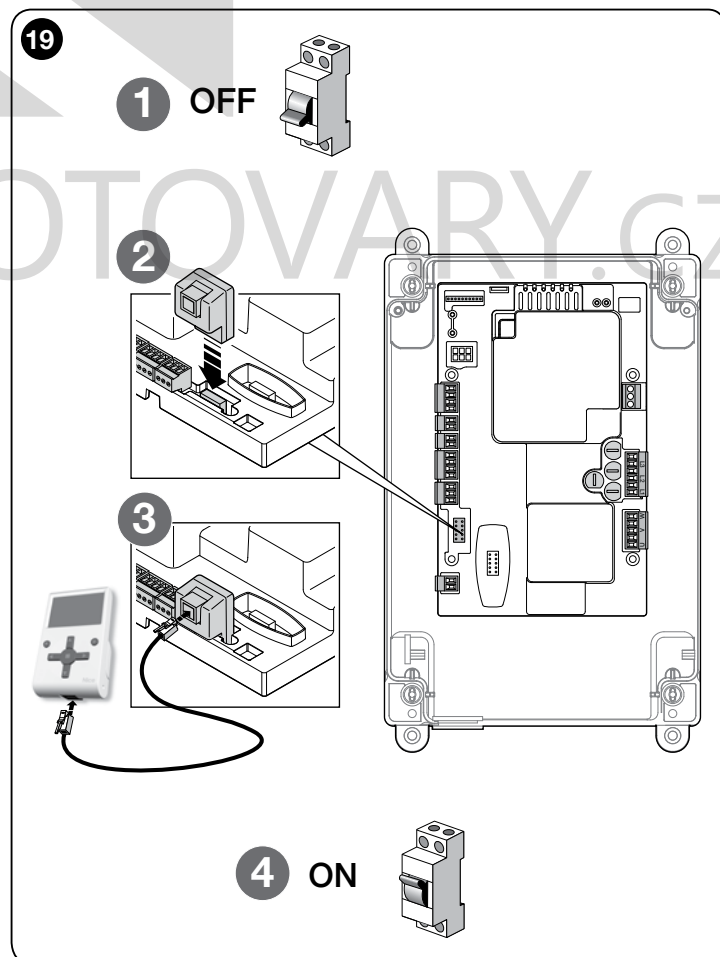
Użycie jednostki programowania Oview umożliwia pełne i szybkie przeprowadzenie instalacji, konserwacji oraz diagnostyki całego systemu automatyki. Możliwe jest podłączenie do centrali jednostki do zdalnego programowania Oview przy użyciu interfejsu IBT4N, poprzez kabel bus z 4 przewodami elektrycznymi wewnątrz.

Aby uzyskać dostęp do łącznika BusT4, należy otworzyć obudowę i wprowadzić łącznik IBT4N w przewidziane do tego gniazdo i podłączyć programator Oview (rys. 19).

Zasadniczo jednostka Oview może zostać umieszczona w maksymalnej odległości od centrali sterującej równej 100 metrom kabla; może zostać przyłączona równocześnie do kilku centrali (do 16) i może pozostać przyłączona również podczas zwykłej pracy automatyki. W celu korzystania z Oview bardzo ważne jest przestrzeganie środków ostrożności zamieszczonych w instrukcji Oview.

Jeśli w centrali sterującej zainstalowano odbiornik radiowy serii OXI, przy użyciu Oview można uzyskać dostęp do parametrów nadajników zapisanych w tym odbiorniku. Dodatkowe informacje zawarto w instrukcji obsługi programatora Oview oraz w karcie funkcji centrali, dostępnej również na stronie www.niceforyou.com

UWAGA! - Jeśli funkcje z tabeli 3 są zaprogramowane przy użyciu programatora Oview, należy ustawić przełącznik Dip switch = OFF.



8 ODBIÓR I PRZEKAZANIE DO EKSPLOATACJI

Odbiór oraz przekazanie do eksploatacji są najważniejszymi etapami podczas realizacji systemu automatyki, od których zależy zagwarantowanie maksymalnego bezpieczeństwa. Próbę można również przeprowadzać okresowo, w celu skontrolowania stanu urządzeń, z których składa się automatyka.

Fazy te muszą zostać przeprowadzone przez wykwalifikowany i doświadczony personel, który musi wziąć na siebie obowiązek określenia, jakie próby należy przeprowadzić, aby skontrolować rozwiązania zapobiegające możliwym zagrożeniom oraz zgodność z wymaganiami stawianymi przez przepisy, normy i rozporządzenia: w szczególności wymogi normy EN 12445, określającej metody kontroli automatyki do bram z napędem. Urządzenia dodatkowe muszą zostać poddane specjalnej próbie, zarówno pod względem działania, jak i prawidłowej współpracy z centralą; w tym celu należy się zapoznać z instrukcją obsługi poszczególnych urządzeń.

8.1 - Próba odbiorcza

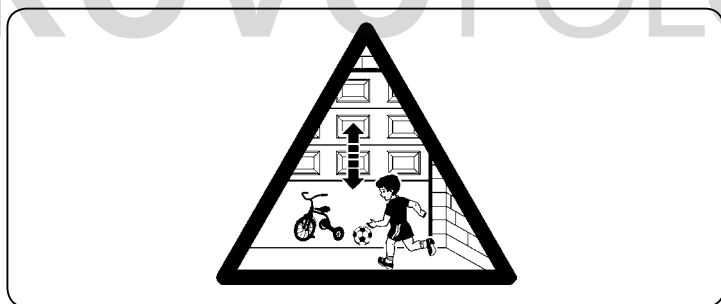
Kolejność czynności przeprowadzanych podczas próby technicznej, opisana poniżej, odnosi się do typowej instalacji:

- 1 Sprawdzić, czy są przestrzegane wszystkie zalecenia z rozdziału „Instrukcje i ostrzeżenia dotyczące montażu”.
- 2 Odblokować silnik. Sprawdzić, czy można przesuwając bramę ręcznie, otwierając i zamykając, przy użyciu siły nieprzekraczającej 225N.
- 3 Zablockować silnik.
- 4 Przy użyciu urządzeń sterowniczych (nadajnika, przycisku sterującego, przełącznika kluczykowego, itp.), należy przeprowadzić próbę otwierania, zamykania i zatrzymania bramy, upewniając się, że ruch skrzydeł jest zgodny z przewidywanym. Zaleca się przeprowadzenie wielu prób, w celu oceny ruchu wykonywanego przez bramę i wykrycia ewentualnych wad montażu, regulacji oraz miejsc szczególnie narażonych na tarcie.
- 5 Sprawdzić po kolei, czy wszystkie zainstalowane urządzenia zabezpieczające działają prawidłowo (fotokomórki, listwy krawędziowe, itp.).
- 6 Jeśli sytuacjom niebezpiecznym powodowanym przez ruch skrzydeł zapobiega się poprzez ograniczenie siły uderzenia, należy przeprowadzić pomiar siły zgodnie z wymaganiami normy EN 12445.

8.2 - Przekazanie do eksploatacji

Przekazanie do eksploatacji może nastąpić dopiero po przeprowadzeniu z wynikiem pozytywnym wszystkich etapów próby technicznej (punkt 8.1) centrali sterującej i wszelkich innych zainstalowanych urządzeń. **Zabrania się częściowego przekazania do eksploatacji lub w sytuacjach „prowizorycznych”.**

- 1 Sporządzić i przechowywać przez okres co najmniej 10 lat dokumentację techniczną, która musi zawierać co najmniej: rysunek całości systemu automatyki, schemat połączeń elektrycznych, analizę ryzyka i zastosowanych środków zapobiegawczych, deklarację zgodności producenta wszystkich zainstalowanych urządzeń (w przypadku centrali należy użyć załączonej Deklaracji WE), kopię instrukcji obsługi oraz plan konserwacji systemu automatyki.
- 2 Umieścić na braminie tabliczkę zawierającą co najmniej poniższe dane: rodzaj automatyki, nazwę i adres producenta (odpowiedzialnego za „przekazanie do eksploatacji”), numer seryjny, rok produkcji oraz oznaczenie „CE”.
- 3 Zamocować na stałe w pobliżu bramy etykiety lub tabliczki, na której wskazane są czynności, jakie należy przeprowadzić w celu odblokowania i manewru ręcznego.
- 4 Zamocować na stałe na braminie etykietę lub tabliczkę z poniższym rysunkiem (minimalna wysokość 60 mm).



- 5 Sporządzić i przekazać właścicielowi deklarację zgodności automatyki.
- 6 Sporządzić i przekazać właścicielowi „Instrukcje obsługi i ostrzeżenia dotyczące użytkownika systemu automatyki”.
- 7 Sporządzić i przekazać właścicielowi plan konserwacji systemu automatyki (który musi obejmować wszystkie zalecenia dotyczące konserwacji poszczególnych urządzeń).

9 MONTAŻ I PODŁĄCZENIE ELEKTRYCZNE DWÓCH CENTRALI W CELU FUNKCJONOWANIA Z PRZECIWLĘGŁYMI SKRZYDŁAMI

Aby wykonać automatykę składającą się z dwóch skrzydeł, które poruszają się w sposób przeciwny, należy użyć dwóch centrali podłączonych w sposób wskazany na **Rys. 20**.

Do każdej centrali należy podłączyć silniki i wyłączniki krańcowe. Lampa ostrzegawcza i wyjście SCA (Dioda Otwartej Bramy) mogą być połączone dowolnie do jednej z dwóch centrali lub zainstalowane po jednym dla każdej centrali (**Rys. A** - strona 6).

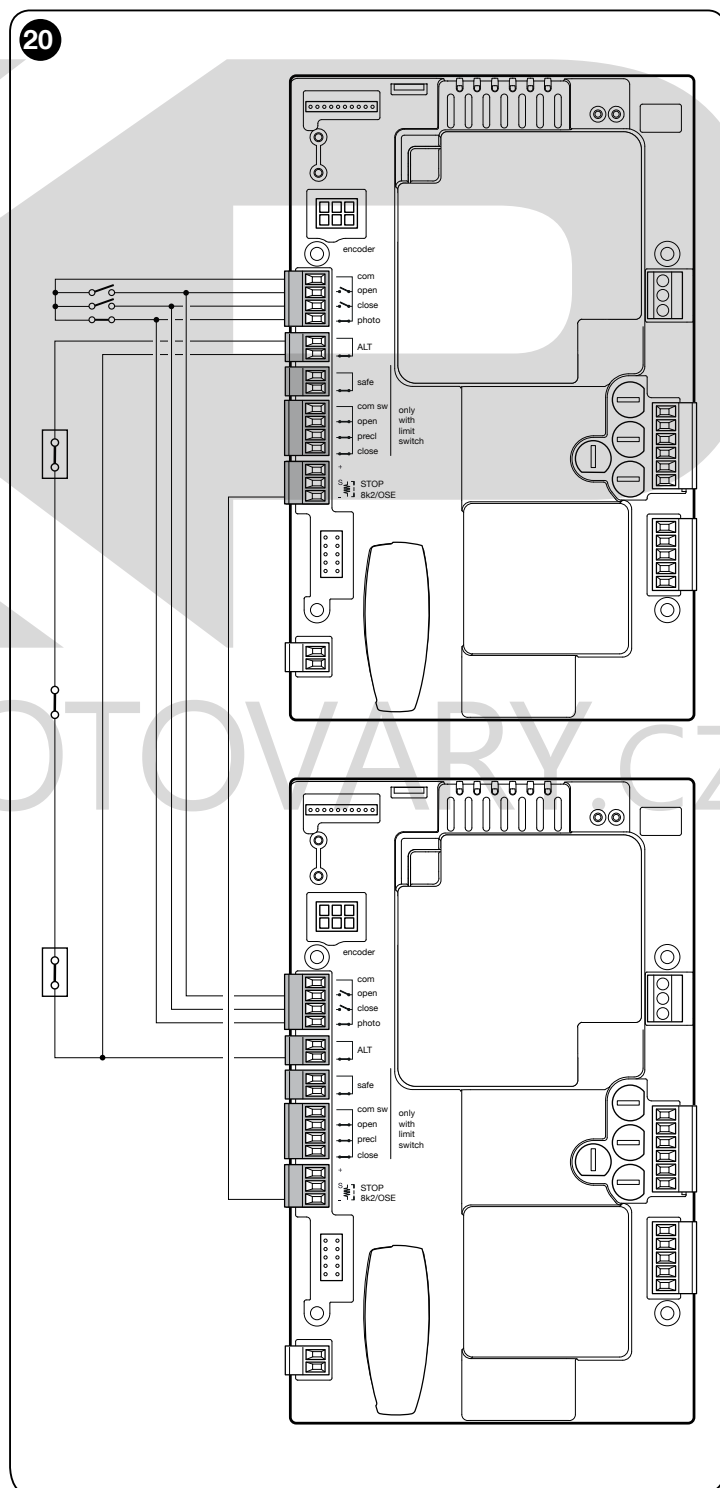
Wejścia muszą być ustawione równolegle między sobą; wejście „Wspólne” może być podłączone do jednej z dwóch centrali.

Połączyć razem zaciski „-” listwy krawędziowej (8k2/OSE) obu centrali.

Skonfigurować wejście „Otwiera”, jako „Zespół mieszkalny”, przy użyciu programatora O-View, który umożliwi ponowną synchronizację skrzydeł w razie utraty synchronizacji przez jedną z dwóch centrali.

Przy tej konfiguracji należy pamiętać, że:

- działanie listwy krawędziowej wywołuje efekt wyłącznie na jedno skrzydło;
- czerwony przycisk STOP wywołuje efekt wyłącznie na jedno skrzydło;
- działanie zabezpieczenia termicznego wywołuje efekt wyłącznie na jedno skrzydło.



10 INFORMACJE DODATKOWE I DIAGNOSTYKA

10.1 - Informacje dodatkowe

10.1.1 - Sygnalizacja włączenia

Po uruchomieniu centrali DPRO500, zachowanie zielonej diody L2 OK i czerwonej diody L1 WARNING jest znaczące, jak opisano w Tabeli 4. W szczególności, informacje są następujące:

- Jeśli wczytanie pozycji otwarcia i zamknięcia jest prawidłowe;
- Jeśli wczytanie zabezpieczenia (listwa krawędziowa) jest prawidłowe i został rozpoznany rodzaj zabezpieczenia.

Sygnalizacja włączenia	TABELA 4 Sygnalizacja	
	Led L2 Dioda OK ZIELONA	Led L1 Dioda WARNING CZERWONA
Pusta pamięć (nie wczytano żadnej pozycji i zabezpieczenia)	Szybkie miganie przez 5 sekund	Szybkie miganie przez 5 sekund
Pozycje wczytane prawidłowo i rozpoznane zabezpieczenie „8k2”	Szybkie miganie przez 2 sekundy	Tylko jedno wolne mignięcie
Pozycje wczytane prawidłowo i rozpoznane zabezpieczenie „OSE”	Szybkie miganie przez 2 sekundy	Dwa wolne mignięcia

Po sygnalizacji jak w Tabeli 4, centrala DPRO500 wskazuje ewentualne błędy przy użyciu diagnostyki przy użyciu diod L2 OK i L1 WARNING.

10.1.2 - Inne funkcje

Kontrolka stanu i diagnostyki (zacisk na klawiaturze)

Centrala daje możliwość przyłączenia kontrolki max 24 V – 5 W do zacisku „kontrolka” karty panelu przyciskowego, który znajduje się po wewnętrznej stronie obudowy centrali (rys. 21: zacisk 1 -, 2 +). „Kontrolkę” można zainstalować na pokrywie, wykonując w niej otwory, lub poza centralą w maksymalnej odległości wynoszącej 2 metry.

UWAGA! - Wyjście nie jest zabezpieczone przed zwarciem.

„Kontrolka” działa w następujący sposób:

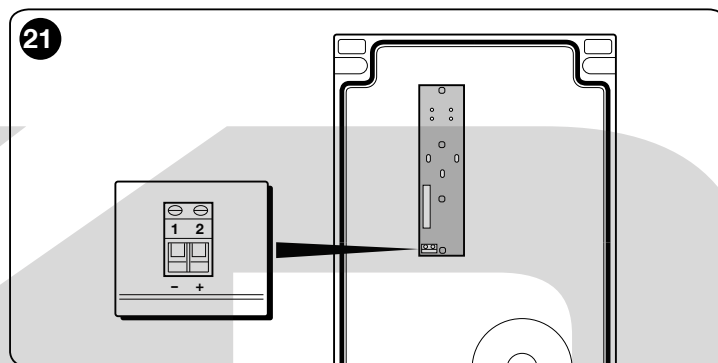
- jest zgaszona, gdy łańcuch bezpieczeństwa jest otwarty (wejście ALT, czerwony przycisk STOP, ochrona termiczna lub odblokowanie)
- miga 0,5 s ON, 0,5 s OFF podczas prawidłowej pracy
- przedstawia tę samą diagnostykę, co czerwona dioda LED L1 WARNING, gdy dochodzi do „poważnych błędów” (punkt 10.2).

Ustawienie czasu paazy zamknięcia automatycznego

- 1 Ustawić przełącznik typu Dip-Switch 3 i 4 na ON.
- 2 Przy użyciu polecenia otwarcia, przenieść bramę na położenie maksymalnego otwarcia.
- 3 Po osiągnięciu tej pozycji należy odczekać czas równy czasowi paazy zamknięcia automatycznego i wysłać polecenie zamknięcia. Czas paazy zamknięcia automatycznego jest teraz wczytany.

W celu dokonania zmiany wartości czasu paazy należy przenieść przełączniki typu Dip-Switch 3 i 4 na OFF i następnie ponownie na ON. W tej chwili należy powtórzyć sekwencję otwierania, czas paazy, zamykania.

UWAGA! - Gdy przełącznik typu Dip-Switch 4 zostaje przeniesiony na pozycję OFF, czas paazy zostaje skasowany.



10.2 - Diagnostyka

Niektóre urządzenia są w stanie wydawać sygnały informujące o stanie roboczym lub ewentualnych usterkach. W poniższej tabeli opisano różne sygnały w zależności od rodzaju problemu. Sygnalizacja odbywa się przy użyciu odpowiedniego migania zielonej diody L2 OK i czerwonej diody L1 WARNING oraz ewentualnej lampy ostrzegawczej podłączonych do odpowiednio zaprogramowanych wyjść centrali.

DIAGNOSTYKA ZIELONEJ DIODY L2			
Sygnalizacja	Przyczyna	Środki zaradcze	Lampa ostrzegawcza
2 mignięcia - krótka pauza 2 mignięcia - długa pauza	Zadziałanie fotokomórki	Na początku manewru jedna lub kilka fotokomórek nie daje zgody na ruch; sprawdzić, czy nie ma przeszkód lub, czy nie dochodzi do interferencji wiązek podczerwieni poszczególnych fotokomórek. Po zadziałaniu zabezpieczeń można sterować automatyką w trybie manualnym za pomocą poleceń kablowych. Nie jest możliwe przesyłanie poleceń radiowych.	Miganie
4 mignięcia - krótka pauza 4 mignięcia - długa pauza	Zadziałanie wejścia STOP	Na początku manewru lub w czasie wykonywania ruchu doszło do interwencji wejścia STOP lub ALT; należy sprawdzić przyczynę interwencji. Po zadziałaniu zabezpieczeń można sterować automatyką w trybie manualnym za pomocą poleceń kablowych. Nie jest możliwe przesyłanie poleceń radiowych.	Miganie
6 mignięć - krótka pauza 6 mignięć - długa pauza	Ogranicznik liczby manewrów	---	Miganie
9 mignięć - krótka pauza 9 mignięć - długa pauza	Automatyka zablokowana	Wysłać polecenie „Odblokuj automatykę” lub zlecić manewr „Krok po Kroku Wysoki priorytet”.	Miganie
Zaświecenie diod przez 3 sekundy	Blokada automatyki	---	Miganie
2 mignięcia o długości 1 sekundy 1,5-sekundowa przerwa	Automatyka odblokowana	---	Miganie

DIAGNOSTYKA DIODY L1 WARNING CZERWONEJ			
⚠ Niektóre sygnalizacje można wyłączyć poprzez naciśnięcie czerwonego przycisku STOP			
Sygnalizacja	Przyczyna	Środki zaradcze	Lampa ostrzegawcza
5 mignięć - krótka pauza 5 mignięć - długa pauza	Błąd EEPROM - Błąd parametrów wewnętrznych centrali sterującej	Odłączyć i ponownie przyłączyć zasilanie. Jeśli sygnalizacja błędu nie znika, należy przeprowadzić „Całkowite kasowanie pamięci” w sposób opisany w punkcie 7.8 i ponownie przeprowadzić instalację; jeśli stan pozostaje taki sam, możliwe, że doszło do poważnej usterki i konieczna będzie wymiana płyty elektronicznej.	Miganie
2 mignięcia - krótka pauza 2 mignięcia - długa pauza	Błąd Testu Zabezpieczeń	Ponownie wykonać procedurę wczytywania urządzeń bezpieczeństwa podłączonych do centrali (punkt 7.9).	---

3 mignięcia - krótka pauza 3 mignięcia - długa pauza	Błąd kierunku obrotu Enkodera lub odwrócony ogranicznik krańcowy	Odwrócić kierunek obrotu enkodera ustawiając na ON przełącznik typu Dip-Switch 2 (patrz punkt 7.10). Jeśli silnik jest z ogranicznikiem mechanicznym, skasować błąd naciskając przycisk STOP i odwrócić podłączenie wyłącznika krańcowego otwarcia z wyłącznikiem krańcowym zamknięcia w zacisku LIMIT SWITCH (rys. 14).	
4 mignięcia - krótka pauza 4 mignięcia - długa pauza	Błąd ogranicznika krańcowego bezpieczeństwa	Brama przekroczyła ogranicznik krańcowy bezpieczeństwa zarówno podczas Otwarcia, jak i podczas Zamknięcia. Przenieść ręcznie bramę na około połowę wysokości przy użyciu systemu manewru awaryjnego (patrz instrukcja silnika) i nacisnąć przycisk STOP na pokrywie w celu przywrócenia funkcjonowania. Oszacować, czy konieczne jest dokonanie zmian pozycji Otwierania/Zamykania wczytanych poprzednio.	---
6 mignięć - krótka pauza 6 mignięć - długa pauza	Błąd stycznika	Należy odłączyć na kilka sekund wszystkie obwody zasilające, następnie spróbować wydać jakieś polecenie; jeśli stan pozostaje taki sam, możliwe, że doszło do poważnej usterki karty lub w połączeniach silnika. Należy to sprawdzić i przeprowadzić ewentualną wymianę.	---
7 mignięć - krótka pauza 7 mignięć - długa pauza	Błąd komunikacji RS485 Enkodera	Sprawdzić prawidłowe połączenie kabla silnika-centrali, w szczególności kabla enkodera (6 kolorowych przewodów).	---
8 mignięć - krótka pauza 8 mignięć - długa pauza	Błąd enkodera	Sprawdzić prawidłowe połączenie kabla silnika-centrali, w szczególności kabla enkodera (6 kolorowych przewodów). Ponownie przeprowadzić procedurę wczytywania pozycji Otwarcia i Zamknięcia.	---
9 mignięć - krótka pauza 9 mignięć - długa pauza	Błąd wczytywania ogranicznika krańcowego	Ponownie powtórzyć procedurę wczytywania pozycji Otwarcia i Zamknięcia.	---
10 mignięć - krótka pauza 10 mignięć - długa pauza	Błąd time-out manewru	Wartość domyślna time-out wynosi 60 sekund. Sprawdzić, czy nie występują zakłócenia w ruchu bramy, czy brama rzeczywiście wykonała ruch. Sprawdzić (przy użyciu programatora Oview, jeśli jest dostępny), czy został zmieniony czas trwania licznika. Ponownie wykonać procedurę wczytywania pozycji Otwarcia i Zamknięcia.	---

Uwaga - sygnalizacja diagnostyczna z miganiem diod zostaje przerwana w chwili, gdy zostaje wydane polecenie centrali. Sygnalizacja diagnostyczna przy użyciu zewnętrznej lampy ostrzegawczej* następuje przez dwie sekwencje migania (np. jedna sekwencja „3 mignięcia - krótka pauza - 3 mignięcia - długa pauza” powtórzone dwa razy).

WAŻNE: aby podłączyć zewnętrzną lampę ostrzegawczą, należy użyć dodatkowej płyty NDA040 (niedostarczonej).

* Skonfigurowany z programatorem Oview „Lampa ostrzegawcza 1”.

DIAGNOSTYKA DIODY L1 i L2

Sygnalizacja	Przyczyna
Szybkie naprzemienne miganie diody czerwonej i diody zielonej	Faza aktualizacji firmware w toku
4 mignięcia - pauza - 4 równoczesne mignięcia diod	W oczekiwaniu na aktualizację firmware

DIAGNOSTYKA LED SAFETY

Sygnalizacja	Przyczyna	Środki zaradcze
Zaświecona	Prawidłowe funkcjonowanie	---
Zgaszona	Otwarty łańcuch bezpieczeństwa	Łańcuch bezpieczeństwa składa się z szeregu wejść (ALT, Stop z przycisku, ochrona termiczna silnika, odblokowanie silnika). Zamknąć obwód

11 CO ZROBIĆ, JEŚLI...

(pomoc w rozwiązywaniu problemów)

Poniżej przedstawiono ewentualne przypadki nieprawidłowego funkcjonowania, które mogą pojawić się podczas fazy montażu lub w przypadku uszkodzenia oraz możliwe środki zaradcze:

- **Silnik jest zatrzymany, nie zostaje wykonany żaden manewr, a czerwona dioda miga:** sprawdzić rodzaj migania w tabeli Diagnostyka diody L1 warning (punkt 10.2) i nacisnąć czerwony przycisk STOP, aby wykasować diagnostykę.
- **Nadajnik radiowy nie steruje przesuwem, a dioda na nadajniku nie zapala się:** sprawdzić, czy baterie nadajnika nie są rozładowane i ewentualnie je wymienić.
- **Nadajnik radiowy nie steruje przesuwem, ale dioda na nadajniku zapala się:** sprawdzić, czy nadajnik jest prawidłowo wczytany do odbiornika radiowego. Dodatkowo należy sprawdzić prawidłowe nadawanie sygnału radiowego przez nadajnik, przeprowadzając następującą próbę: wcisnąć na nadajniku dowolny przycisk i przyłożyć diodę nadajnika do anteny zwykłego, sprawnego nadajnika radiowego, zsynchronizowanego na pasmo FM o częstotliwości 108,5 Mhz lub najbliższe; powinny być słyszalne skrzeczące odgłosy o słabym natężeniu.
- **Po wysłaniu polecenia nie zostaje wykonany żaden manewr a dioda OK nie miga:** sprawdzić, czy centrala jest zasilana napięciem sieciowym o wartości 230/400V. Dodatkowo należy sprawdzić, czy bezpieczniki nie są przepalone; w takim przypadku, należy sprawdzić przyczynę uszkodzenia i wymienić je na inne, o takich samych parametrach.
- **Po wysłaniu polecenia nie zostaje wykonany żaden manewr, a lampa ostrzegawcza jest zgaszona:** sprawdzić, czy polecenie zostaje rzeczywiście odebrane; jeżeli wysłane polecenie dociera do wejścia PP, dioda OK zamiga dwa razy, aby zasygnalizować, że polecenie zostało odebrane.
- **Manewr nie rozpoczyna się, a lampa ostrzegawcza wykonuje kilka mignięć:** należy policzyć liczbę mignięć i sprawdzić ich znaczenie w tabeli diagnostyki w punkcie 10.2
- **Silnik obraca się w odwrotną stronę:**
 - w przypadku silnika trójfazowego, należy zamienić miejscami fazy „V” i „W” silnika
 - w przypadku silnika jednofazowego, należy zamienić miejscami fazy „V” i „W” silnika
- **Manewr rozpoczyna się, a po chwili zatrzymuje:** sprawdzić przyczynę za pomocą diod diagnostyki zainstalowanych na centrali sterującej.
- **Czerwona dioda L1 WARNING emituje 9 mignięć oraz pauzę:** wystąpił błąd podczas procedury wczytywania odległości otwarcia i zamknięcia, należy skasować pamięć (patrz 7.9) i powtórzyć wczytywanie odległości (patrz 7.10).

12 UTYLIZACJA PRODUKTU

Ten produkt jest integralną częścią systemu automatyki i w związku z tym należy go usunąć wraz z nim.

Tak, jak w przypadku instalacji, również po upływie okresu użytkowania tego produktu czynności demontażowe powinien wykonywać wykwalifikowany personel.

Produkt składa się z różnego rodzaju materiałów: niektóre z nich mogą zostać poddane recyklingowi, inne powinny zostać poddane utylizacji. Należy we własnym zakresie zapoznać się z informacjami na temat recyklingu i utylizacji, przewidzianymi w lokalnie obowiązujących przepisach dla danej kategorii produktu.

Uwaga! – Niektóre elementy produktu mogą zawierać substancje szkodliwe lub niebezpieczne, które pozostawione w środowisku mogłyby zaszkodzić środowisku lub zdrowiu ludzkiemu.



Jak wskazuje symbol obok, zabrania się wyrzucania niniejszego produktu razem z odpadami domowymi. W celu usunięcia produktu należy zatem przeprowadzić zgodnie z lokalnie obowiązującymi przepisami „zbiórkę selektywną” lub zwrócić produkt do sprzedawcy w chwili zakupu nowego, równoważnego produktu.

Uwaga! – lokalne przepisy mogą przewidywać poważne sankcje w przypadku samodzielnej likwidacji tego produktu.

13 PARAMETRY TECHNICZNE PRODUKTU

OSTRZEŻENIA: • Wszystkie podane parametry techniczne odnoszą się do temperatury otoczenia równej 20°C (± 5°C). • Firma Nice S.p.A. zastrzega sobie prawo do wprowadzania zmian produktu w którejkolwiek chwili, gwarantując jego funkcjonalność i przewidziane zastosowanie.

MODEL	TUB4000
Typologia	Motoreduktor elektromechaniczny do automatyzacji bram przesuwnych do użytku przemysłowego wraz z elektroniczną centralą sterującą DPRO500
Koło zębate	Z = 18; Moduł = 6; Skok = 18,8
Maksymalny moment startowy	216 Nm
Moment nominalny	65 Nm
Prędkość przy momencie nominalnym	0,16m/s (9,50m/min)
Ograniczenia w użytkowaniu	Zazwyczaj TUB4000 może sterować bramami o masie do 4000 kg i długości do 30 m
Zasilanie	3~ 400 Vac +/-10%; 50 Hz.
Nominalny pobór mocy	580 W
Pobór prądu	1,6 A
Klasa izolacji	1 (wymaga uziemienia)
Temperatura robocza	-20°C ... 55°C
Stopień ochrony	IP 54
Wymiary (mm)	580 x 480 x 240
Masa	60 kg

PL

KOVOPOLOTOVARY.CZ

Deklaracja zgodności WE (N. 624/TUB4) i deklaracja włączenia „maszyny nieukończonyj”

Uwaga - Treść niniejszej deklaracji zgodności odpowiada oświadczeniom znajdującym się w oficjalnym dokumencie złożonym w siedzibie firmy Nice S.p.A., a w szczególności jego ostatniej wersji dostępnej przed wydrukowaniem niniejszej instrukcji. Niniejszy tekst został dostosowany w celach wydawniczych. Kopię oryginalnej deklaracji można uzyskać w siedzibie spółki Nice S.p.A. (TV) Italy

Wydanie: 2

Język: PL

Nazwa producenta: NICE S.p.A.

Adres: Via Pezza Alta N°13, 31046 Rustignè di Oderzo (TV) Italy

Osoba upoważniona do sporządzenia dokumentacji technicznej: NICE S.p.A.

Adres: Via Pezza Alta N°13, 31046 Rustignè di Oderzo (TV) Italy

Typ produktu: Motoreduktor elektromechaniczny trójfazowy 400V

Model / Typ: TUB4000

Urządzenia dodatkowe: Odbiorniki radiowe mod. SMXI, SMXIS i ONEXI, OXI, OXIBD, OXILR, OVIEW
Listwa krawędziowa optyczna TMF, NDA040
Fotokomórki ERA rodziny S, M, L

Niżej podpisany, Roberto Griffa, Chief Executive Officer, oświadcza na własną odpowiedzialność, że wyżej wymieniony produkt jest zgodny z następującymi dyrektywami:

- Dyrektywa 2014/30/UE (EMC) EN 61000-6-2:2005 - EN 61000-6-3:2007+A1:2011

Ponadto, produkt jest zgodny z następującą dyrektywą w zakresie wymagań dotyczących „maszyn nieukończonyj” (Załącznik II, część 1, sekcja B):

- Dyrektywa 2006/42/WE PARLAMENTU EUROPEJSKIEGO I RADY z dnia 17 maja 2006 roku, dotycząca maszyn, zmieniająca dyrektywę 95/16/WE (przekształcenie).
 - Oświadcza się, że stosowna dokumentacja techniczna została sporządzona zgodnie z załącznikiem VII B dyrektywy 2006/42/WE oraz, że spełnione zostały następujące wymagania podstawowe: 1.1.1- 1.1.2- 1.1.3- 1.2.1-1.2.6- 1.5.1-1.5.2- 1.5.5- 1.5.6- 1.5.7- 1.5.8- 1.5.10- 1.5.11
 - Producent zobowiązuje się do przekazania władzom krajowym, w odpowiedzi na uzasadnione zapytanie, informacji dotyczących „maszyny nieukończonyj”, zachowując całkowicie swoje prawa do własności intelektualnej.
 - Jeżeli „maszyna nieukończonyj” oddana zostanie do eksploatacji w kraju europejskim, którego język urzędowy jest inny niż język niniejszej deklaracji, importer ma obowiązek dołączyć do niniejszej deklaracji stosowne tłumaczenie.
 - Przypominamy, że „maszyny nieukończonyj” nie należy uruchamiać do czasu, kiedy maszyna końcowa, do której ma ona zostać włączona, nie uzyska deklaracji zgodności (jeżeli wymagana) z wymogami dyrektywy 2006/42/WE.

Ponadto, produkt jest zgodny z następującymi normami: EN 60335-1:2012+A11:2014, EN 62233:2008, EN 60335-2-103:2015

Miejsce i Data: Oderzo, 19.12.2017

Inż. **Roberto Griffa**
(Chief Executive Officer)



▲ Zaleca się przechowywanie instrukcji i udostępnienie jej wszystkim użytkownikom urządzenia.

OSTRZEŻENIA

- Nadzorować bramę podczas jej przesuwania się i zachować bezpieczną odległość do momentu, gdy brama zostanie całkowicie otwarta lub zamknięta; nie przechodzić przez bramę dopóki nie otworzy się całkowicie i nie zatrzyma.
- Nie pozwalać dzieciom na przebywanie w pobliżu bramy ani na zabawę jej elementami sterującymi.
- Przechowywać nadajniki w miejscu niedostępnym dla dzieci.
- W przypadku wystąpienia jakichkolwiek nieprawidłowości (dziwne odgłosy, szarpanie), niezwłocznie przerwać użytkowanie urządzenia. Zlekceważenie takich nieprawidłowości może doprowadzić do wypadku.
- Nie dotykać żadnych części urządzenia, kiedy są w ruchu.
- Zapewnić wykonywanie okresowych kontroli zgodnie z planem konserwacji.
- Konserwację lub naprawy urządzenia mogą być wykonywane wyłącznie przez wykwalifikowany personel techniczny.
- Przesłać polecenie z uszkodzonymi urządzeniami bezpieczeństwa:

Istnieje możliwość sterowania bramą nawet wtedy, gdy urządzenia zabezpieczające nie działają prawidłowo lub są nieaktywne.

Po zadziałaniu zabezpieczeń można sterować automatyką w trybie manualnym za pomocą poleceń kablowych. Nie jest możliwe przesyłanie poleceń radiowych.

W przypadku uszkodzenia urządzeń zabezpieczających, należy jak najszybciej naprawić elementy automatyki.

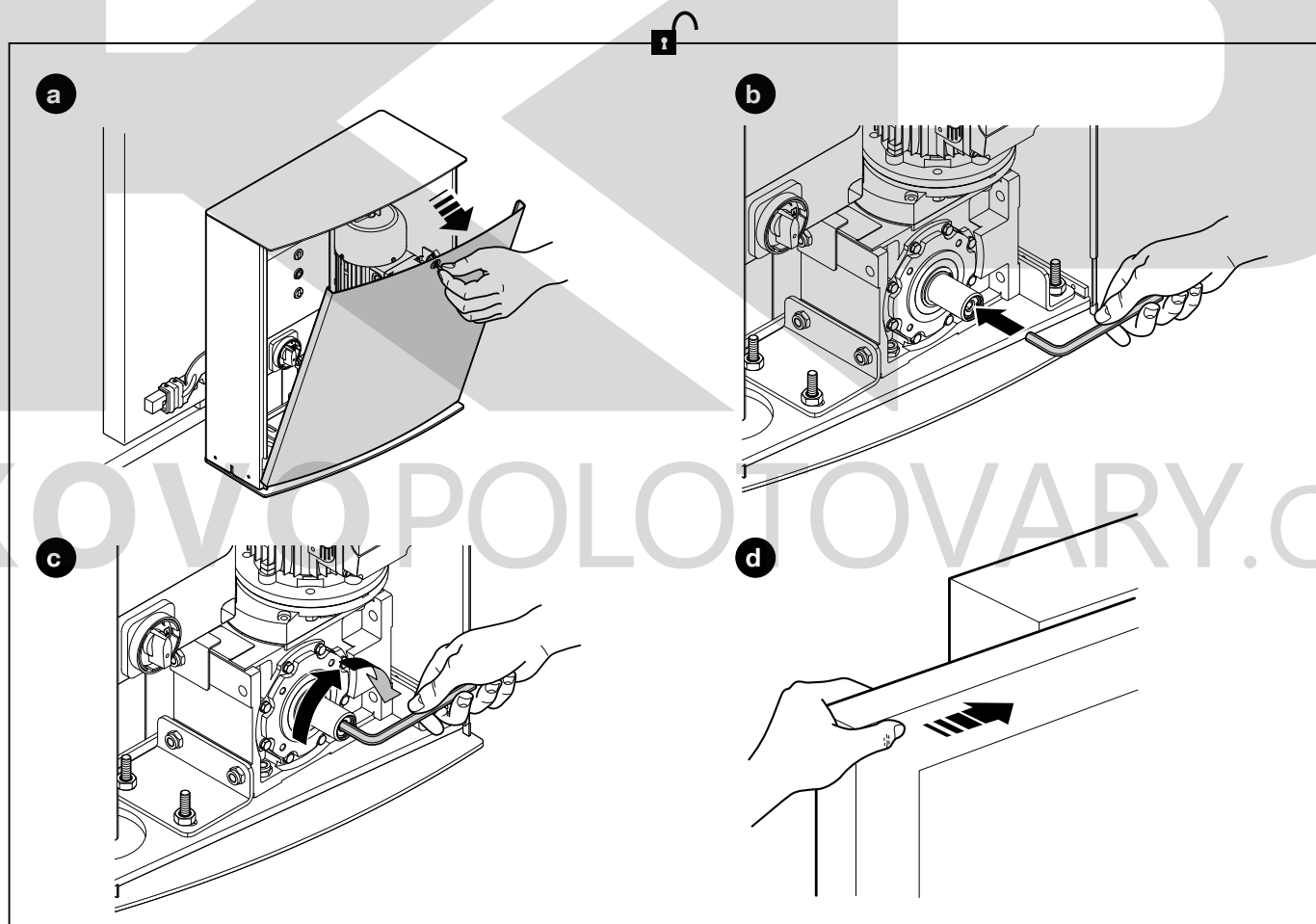
Odblokować i zablokować motoreduktor (manewr ręczny)

Motoreduktor jest wyposażony w system mechaniczny, umożliwiający ręczne otwieranie i zamykanie bramy.

Otwarcie ręczne należy wykonać w przypadku braku prądu lub usterki instalacji.

W przypadku awarii motoreduktora, możliwe jest wykonanie odblokowania silnika w celu sprawdzenia, czy usterka nie dotyczy mechanizmu odblokowującego.

Aby zablokować motoreduktor, należy wykonać w przeciwnym kierunku działania opisane poniżej.



Konserwacja do wykonania przez użytkownika

Poniżej wymienione zostały czynności, które użytkownik bramy powinien okresowo wykonywać:

- Do czyszczenia powierzchni urządzeń stosować lekko zwilżoną ściereczkę (nie mokrą). Nie używać substancji zawierających alkohol, benzen, rozcieńczalniki lub inne substancje łatwopalne; użycie tych substancji może doprowadzić do uszkodzenia urządzeń i spowodować pożary lub porażenia prądem elektrycznym.
- Usuwanie liści i kamieni: odłączyć zasilanie od automatyki przed wykonaniem kolejnych działań, aby nikt nie doprowadził do uruchomienia bramy. W razie obecności akumulatora awaryjnego należy go odłączyć.



KOVOPOLOTOVARY.cz

ALGEMENE WAARSCHUWINGEN: VEILIGHEID - INSTALLATIE - GEBRUIK

(instructies, vertaald uit het Italiaans)

▲ De hierop volgende aanbevelingen zijn direct overgenomen uit de Normen en kunnen, voor zover mogelijk, worden toegepast op het beschreven product

LET OP Belangrijke aanwijzingen voor de veiligheid. Volg alle voorschriften op, want een niet-correct uitgevoerde installatie kan ernstige schade veroorzaken

LET OP Belangrijke aanwijzingen voor de veiligheid. Het is belangrijk dat deze instructies worden opgevolgd voor de veiligheid van personen. Bewaar deze instructies

- Voordat u met de installatie begint, dient u de "Technische kenmerken van het product" te controleren, in het bijzonder of dit product geschikt is voor het automatiseren van uw geleide onderdeel. Als het product niet geschikt is, mag u NIET overgaan tot de installatie
- Het product mag niet worden gebruikt voordat de inbedrijfstelling heeft plaatsgevonden zoals gespecificeerd in het hoofdstuk "Eindtest en inbedrijfstelling"

LET OP Volgens de meest recente Europese wetgeving moet de realisering van een automatisering voldoen aan de geharmoniseerde normen van de geldende Machinerichtlijn, waarbij een verklaring van de conformiteit van de automatisering afgegeven kan worden. In verband hiermee mogen alle werkzaamheden voor de aansluiting op de elektrische voeding, de eindtest, de inbedrijfstelling en het onderhoud van het product uitsluitend worden uitgevoerd door een gekwalificeerd, deskundig monteur!

- Voordat u met de installatie van het product begint, dient u te controleren of al het te gebruiken materiaal in optimale staat is en geschikt voor gebruik
- Het product is niet geschikt om gebruikt te worden door personen (kinderen inbegrepen) met fysieke, zintuiglijke of mentale beperkingen of personen die onvoldoende kennis en/of ervaring hebben
- Kinderen mogen niet met het apparaat spelen
- Laat kinderen niet met de bedieningselementen van het product spelen. Houd de afstandsbedieningen buiten het bereik van kinderen

LET OP Om ieder risico op onvoorzien heropstarten van het thermische onderbrekingsmechanisme te vermijden, mag dit apparaat niet worden gevoed via een externe regelaar zoals een timer, noch worden aangesloten op een circuit dat regelmatig wordt in- of uitgeschakeld

- Op de netvoeding van de installatie moet een stroomonderbreker worden aangesloten (niet meegeleverd) met een openingsafstand van de contacten waarbij volledige uitschakeling mogelijk is bij de condities die gelden voor overspanningscategorie III
- Behandel het product tijdens de installatie met zorg en voorkom dat het wordt geplet, dat er tegen wordt gestoten, dat het valt of dat het in aanraking komt met welke vloeistoffen dan ook. Zet het product niet in de buurt van warmtebronnen en stel het niet bloot aan open vuur. Hierdoor kan het beschadigd worden, waardoor storingen of gevaarlijke situaties kunnen ontstaan. Als dit toch gebeurt, stop dan onmiddellijk met de installatie en neem contact op met de klantenservice
- De fabrikant is niet aansprakelijk voor materiële schade, zowel aan personen als aan voorwerpen, die voortvloeit uit de niet-naleving van de montage-instructies. In die gevallen vervalt de garantie op materiaalfouten
- Het geluidsdrukkniveau van de gemeten emissie A bedraagt minder dan 70 dB(A)
- Reinigings- en onderhoudswerkzaamheden die door de gebruiker kunnen worden uitgevoerd, mogen niet worden toevertrouwd aan kinderen die niet onder toezicht staan
- Voordat u werkzaamheden aan de installatie uitvoert (onderhoud, reiniging), moet het product altijd worden losgekoppeld van de netvoeding
- Controleer de installatie regelmatig. Controleer met name de kabels, de veren en de steunen om eventuele verstoringen van de balancerings en tekenen van slijtage of beschadiging op te merken. Gebruik het apparaat nooit als het gerepareerd of opnieuw afgesteld moet worden; een storing in de installatie of een niet-correcte uitbalancerings van de poort kan tot letsel leiden.
- Het verpakkingsmateriaal van het product moet volgens de plaatselijke voorschriften worden verwerkt
- Houd personen uit de buurt van de poort wanneer deze wordt bewogen met behulp van de bedieningselementen
- Controleer de automatisering tijdens het uitvoeren van het manoeuvre en houd personen op enige afstand tot de beweging voltooid is
- Bedien het product niet als er personen in de buurt zijn die werkzaamheden op de automatisering uitvoeren; koppel de elektrische voeding los alvorens deze werkzaamheden te laten uitvoeren
- Als de voedingskabel beschadigd is, moet deze worden vervangen door de fabrikant of door de technische ondersteuningsdienst, of in ieder geval door een monteur met een vergelijkbare kwalificatie, om ieder risico uit te sluiten

WAARSCHUWINGEN M.B.T. DE INSTALLATIE

- Controleer voordat u de bewegingsmotor installeert dat alle mechanische onderdelen in goede staat zijn, correct in evenwicht zijn en dat de automatisering correct kan worden gemanoeuvred
- Als het te automatiseren hek van een voetgangersdeur is voorzien, moet de installatie van een controlesysteem worden voorzien, dat de werking van de motor blokkeert als de voetgangersdeur open is
- Verzeker u ervan dat de bedieningselementen uit de buurt van de bewegende onderdelen worden gehouden, maar wel direct zicht op de poort geven.
Tenzij u een schakelaar gebruikt, moeten de bedieningselementen op een hoogte van minimaal 1,5 m worden geïnstalleerd en mogen ze niet toegankelijk zijn

Bijzondere aanbevelingen met betrekking tot de Europese richtlijnen die op dit product van toepassing zijn

- Richtlijn "Bouwproducten": Bijzondere waarschuwingen voor dit product in verband met de Verordening 305/2011:
 - De complete installatie van dit product, zoals beschreven in deze instructiehandleiding, en enkele soorten gebruik (bijvoorbeeld uitsluiting van het gebruik voor alleen voertuigen), kunnen ertoe leiden dat het product binnen het toepassingsgebied valt van verordening 305/2011 en de bijbehorende geharmoniseerde norm EN 13241-1.
 - Het is noodzakelijk alle installatiecriteria toe te passen opdat het product aan de essentiële eisen van de Richtlijn 305/2011 voldoet. Degene die de installatie uitvoert moet controleren of, en ervoor zorgen dat, al deze criteria zorgvuldig in acht zijn genomen.
 - De conformiteit aan de essentiële eisen kan niet gegarandeerd worden als het product is geïnstalleerd en gebruikt terwijl één of meerdere van deze criteria niet in acht zijn genomen. Het is verboden om het product in deze situaties te gebruiken totdat degene die de installatie uitvoert heeft gecontroleerd of aan de eisen van de richtlijn is voldaan. In dit geval moet het etiket "ES13241-1.4870", dat is aangebracht op het product, direct worden verwijderd en mag de "EG-Verklaring van overeenstemming" van bijlage I in deze handleiding niet worden gebruikt. Bijgevolg wordt degene die de installatie uitvoert op zijn beurt de fabrikant van het product en moet hij de bepalingen van de Richtlijn 305/2011 en de bijbehorende geharmoniseerde norm EN 13241-1 in acht nemen. In dit geval moet het product als "niet-voltooid machine" worden beschouwd en kan de "Verklaring van overeenstemming" van bijlage II worden gebruikt (om in het technisch dossier te worden opgenomen).

- **Laagspanningsrichtlijn:**
Bijzondere waarschuwingen betreffende de geschiktheid voor het gebruik van het product met betrekking tot de Laagspanningsrichtlijn. Dit product voldoet aan de eisen van de Laagspanningsrichtlijn als het wordt aangewend voor het gebruik en de configuraties beschreven in deze instructiehandleiding en in combinatie met de artikelen uit de productencatalogus van Nice S.p.A.
De conformiteit aan de eisen kan mogelijk niet gegarandeerd worden als het product wordt gebruikt in configuraties of met andere niet voorziene producten. Het is verboden om het product in deze situaties te gebruiken tot degene die de installatie uitvoert heeft gecontroleerd of aan de eisen van de richtlijn is voldaan.
- **Richtlijn Elektromagnetische compatibiliteit (EMC):**
Bijzondere waarschuwingen betreffende de geschiktheid van het gebruik van dit product met betrekking tot de richtlijn inzake elektromagnetische compatibiliteit.
Dit product heeft tests ondergaan met betrekking tot de elektromagnetische compatibiliteit in de meest veeleisende gebruiksomstandigheden, in configuraties beschreven in deze instructiehandleiding en in combinatie met artikelen uit de productencatalogus van Nice S.p.A.
De elektromagnetische compatibiliteit kan niet gegarandeerd worden als het product wordt gebruikt in onvoorziene configuraties of met andere niet voorziene producten. Het is verboden om het product in deze situaties te gebruiken tot degene die de installatie uitvoert heeft gecontroleerd of aan de eisen van de richtlijn is voldaan.

Installatiecriteria en bijzondere waarschuwingen met betrekking tot de essentiële eisen

- Dit product voldoet, mits correct geïnstalleerd, aan de essentiële eisen van de Europese richtlijn 305/2011 volgens de bepalingen van de geharmoniseerde norm EN 13241-1, zoals aangegeven in Tabel 1 en de Europese Machinerichtlijn 2006/42/EG.
- **Vrijkomen van gevaarlijke stoffen:**
Het product bevat geen gevaarlijke stoffen en/of geeft deze niet af, in overeenstemming met de bepalingen van de norm EN 13241-1, paragraaf 4.2.9 en volgens de lijst van stoffen op de website van de Europese Gemeenschap.
Bijzondere aanbeveling om het behoud van de conformiteit aan deze eis te garanderen – Het is van essentieel belang dat ook de andere materialen die in de installatie worden gebruikt, zoals elektriciteitskabels, aan deze eis voldoen.
- **Veilige opening voor horizontaal bewegende hekken:** het product veroorzaakt geen ongecontroleerde bewegingen.
Bijzondere waarschuwingen om het behoud van de conformiteit aan de eisen te garanderen:
 - Voer de installatie uit met zorgvuldige inachtneming van alle aanwijzingen die staan beschreven in de hoofdstukken “2 - Installatie” en “4 - Eindtest en inbedrijfstelling”.
 - Zorg ervoor dat een onderhoudsplan wordt vastgesteld waarin zorgvuldig wordt uitgevoerd hetgeen staat aangegeven in het hoofdstuk “Onderhoudsplan”.
- **Schuifhekken waarbij er gevaar voor beknelling en stoten is, zijn beschermd d.m.v. een van deze drie methoden:**
 - 1** - Voor de werking met “dodemanskop” (persoon aanwezig): zoals aangegeven in EN 12453, punt 5.1.1.4. In dit geval moet de bedieningsknop in het zicht van de automatisering worden geplaatst en, indien hij toegankelijk is voor onbevoegden, moet hij beveiligd zijn, bijvoorbeeld door een sleutelschakelaar.
 - 2** - Voor de “semi-automatische” werking: door een actieve contactlijst te gebruiken voor de beperking van de krachten, zoals aangegeven in EN 12453, punten 5.1.1.5 en 5.1.3.
 - 3** - Voor de “automatische” werking: door een actieve contactlijst te gebruiken voor de beperking van krachten, zoals aangegeven in EN 12453, punt 5.1.1.5 en 5.1.3. In dit geval moet er verplicht minstens één paar fotocellen worden geïnstalleerd, zoals aangegeven in afb. 2.

TUB4000

NEDERLANDS

Instructies, vertaald uit het Italiaans

Inhoudsopgave

ALGEMENE AANBEVELINGEN: VEILIGHEID - INSTALLATIE - GEBRUIK	1
1 - BESCHRIJVING VAN HET PRODUCT EN GEBRUIKSBESTEMMING	3
2 - INSTALLATIE.....	3
2.1 - Controles voorafgaand aan de installatie.....	3
2.2 - Gebruikslimieten van het product.....	3
2.3 - Standaardinstallatie.....	4
2.4 - Bevestiging van de reductiemotor.....	4
2.5 - Installatie van verschillende inrichtingen op de besturingseenheid.....	4
3 - ELEKTRISCHE AANSLUITINGEN.....	5
4 - EINDTEST EN INBEDRIJFSTELLING	7
4.1 - Eindtest.....	7
5 - GEÏNTEGREERDE BESTURINGSEENHEID DPRO500.....	8
5.1 - Beschrijving van het product en gebruiksbestemming	8
6 - INSTALLATIE.....	8
6.1 - Controles voorafgaand aan de installatie.....	8
6.2 - Gebruikslimieten van het product.....	8
6.3 - Installatie van de besturingseenheid.....	8
7 - ELEKTRISCHE AANSLUITINGEN.....	9
7.1 - Aansluiting van de driefasvoedingskabel	9
7.2 - Aansluiting van de eenfasevoedingskabel	9
7.3 - Verandering van de voeding met een jumper.....	9
7.4 - Beschrijving van de elektrische aansluitingen: voeding, beveiligingsmechanismen, besturing en accessoires.....	9
7.5 - Elektrische aansluitingen van de besturingseenheid.....	10
7.6 - Ingang STOP SAFETY EDGE.....	12
7.7 - Aansluiting van een radiosignaalontvanger.....	12
7.8 - Eerste inschakeling en controle van de aansluitingen.....	12
7.9 - Volledig wissen van het geheugen van de besturingseenheid.....	12
7.10 - Herkenning van de aangesloten apparaten en van de openings- en sluitingsposities.....	12
7.10.1 - De openings- en sluitingsposities met mechanische eindaanslag aanleren	13
7.11 - Werkwijze	13
7.12 - Programmeereenheid OView.....	13
8 - EINDTEST EN INBEDRIJFSTELLING	14
8.1 - Eindtest.....	14
8.2 - Inbedrijfstelling.....	14
9 - INSTALLATIE EN ELEKTRISCHE AANSLUITING VAN TWEE BESTURINGSEENHEDEN VOOR WERKING MET TEGENOVERLIGGENDE VLEUGELS	14
10 - VERDERE DETAILS EN DIAGNOSTIEK.....	15
10.1 - Verdere details	15
10.1.1 - Signaleringen bij het inschakelen.....	15
10.1.2 - Andere functies.....	15
10.2 - Diagnostiek.....	16
11 - WAT TE DOEN ALS.....	17
12 - AFDANKING VAN HET PRODUCT.....	18
13 - TECHNISCHE GEGEVENS VAN HET PRODUCT.....	18
GIDS VOOR HET GEBRUIK (uitscheurbare bijlage).....	19
EG-VERKLARING VAN OVEREENSTEMMING	20

⚠ BELANGRIJK!
Alvorens handelingen of werkzaamheden uit te voeren, dient u eerst de algemene aanbevelingen (pag. 1) goed door te lezen, alsook de gebruikslimieten (paragraaf 2.2)

1 BESCHRIJVING VAN HET PRODUCT EN GEBRUIKSBESTEMMING

TUB4000 is een reductiemotor voor schuifhekken met grote afmetingen voor industrieel gebruik, met een DPRO500 ingebouwde besturingseenheid die geschikt is voor opname van NICE ontvangers.

Hij functioneert op elektriciteit; bij een uitval van de elektriciteit kan de reductiemotor met de daartoe bestemde sleutel ontgrendeld worden en het hek met de hand in beweging worden gebracht.

LET OP! – Elk ander gebruik dan in deze handleiding is beschreven of dat plaatsvindt in andere omgevingscondities dan in deze handleiding worden beschreven, moet als oneigenlijk en verboden worden beschouwd!

2 INSTALLATIE

⚠ De TUB4000 mag uitsluitend door gekwalificeerd technisch personeel worden geïnstalleerd, met inachtneming van de wetten, normen en voorschriften en de inhoud van deze gebruiksaanwijzing.

2.1 - Controles voorafgaand aan de installatie

Alvorens te gaan installeren, moet worden gecontroleerd of de productonderdelen intact zijn, of het juiste model betreft en of de omgeving geschikt is voor de installatie:

- Controleer of al het materiaal in goede staat verkeert en geschikt is voor het bestemde gebruik.
- Controleer of alle gebruiksomstandigheden binnen de gebruikslimieten van het product vallen (paragraaf 2.2) en binnen de grenswaarden die vermeld staan in "Technische eigenschappen van het product".
- Controleer of de installatieomgeving ruim genoeg is voor het product (afb. 1).
- Controleer of het installatieoppervlak solide is en een stabiele bevestiging kan garanderen.
- Controleer of de bevestigingsplaats niet onderhevig is aan wateroverlast; monteer het product eventueel ver boven de grond.
- Controleer of er voldoende ruimte is rond het product, zodat het veilig en eenvoudig bereikbaar is.
- Controleer of alle elektriciteitskabels van het type zijn dat in Tabel 2 staat aangegeven.
- Controleer of er in de automatisering mechanische stoppen zijn bij het sluiten en openen.

2.2 - Gebruikslimieten van het product

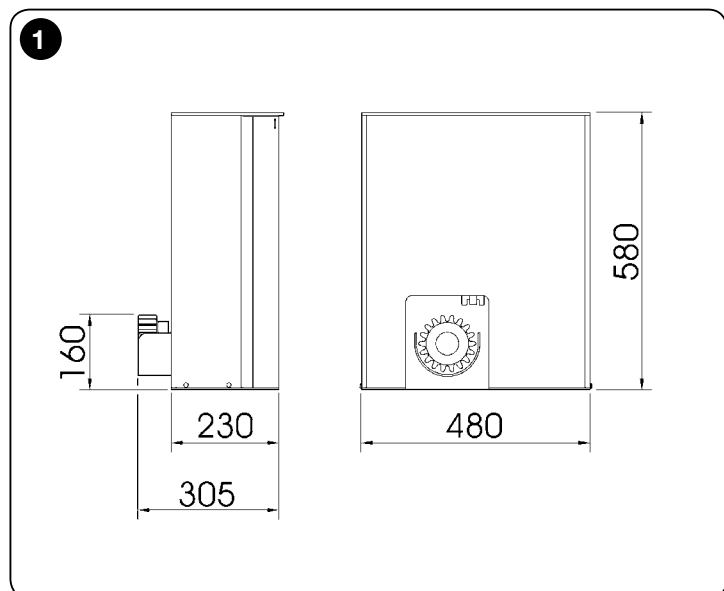
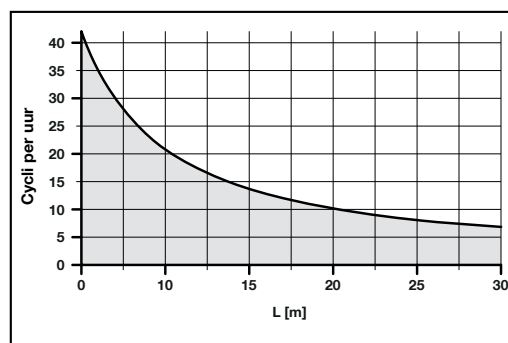
De prestatiegegevens van de TUB4000 vindt u in hoofdstuk "13 Technische gegevens", dit zijn de enige waarden waarmee de geschiktheid voor gebruik correct kan worden beoordeeld.

In het algemeen is de TUB4000 in staat om hekken met een gewicht van maximaal 4000 kg ofwel een lengte van maximaal 30 m te automatiseren, binnen de limieten die vermeld staan in tabel 1.

TABEL 1

Lengte van de vleugel (meter)	Max. aantal cycli/uur
Tot 5	42
5 à 10	21
10 à 15	14
15 à 20	10
20 à 25	8
25 à 30	7

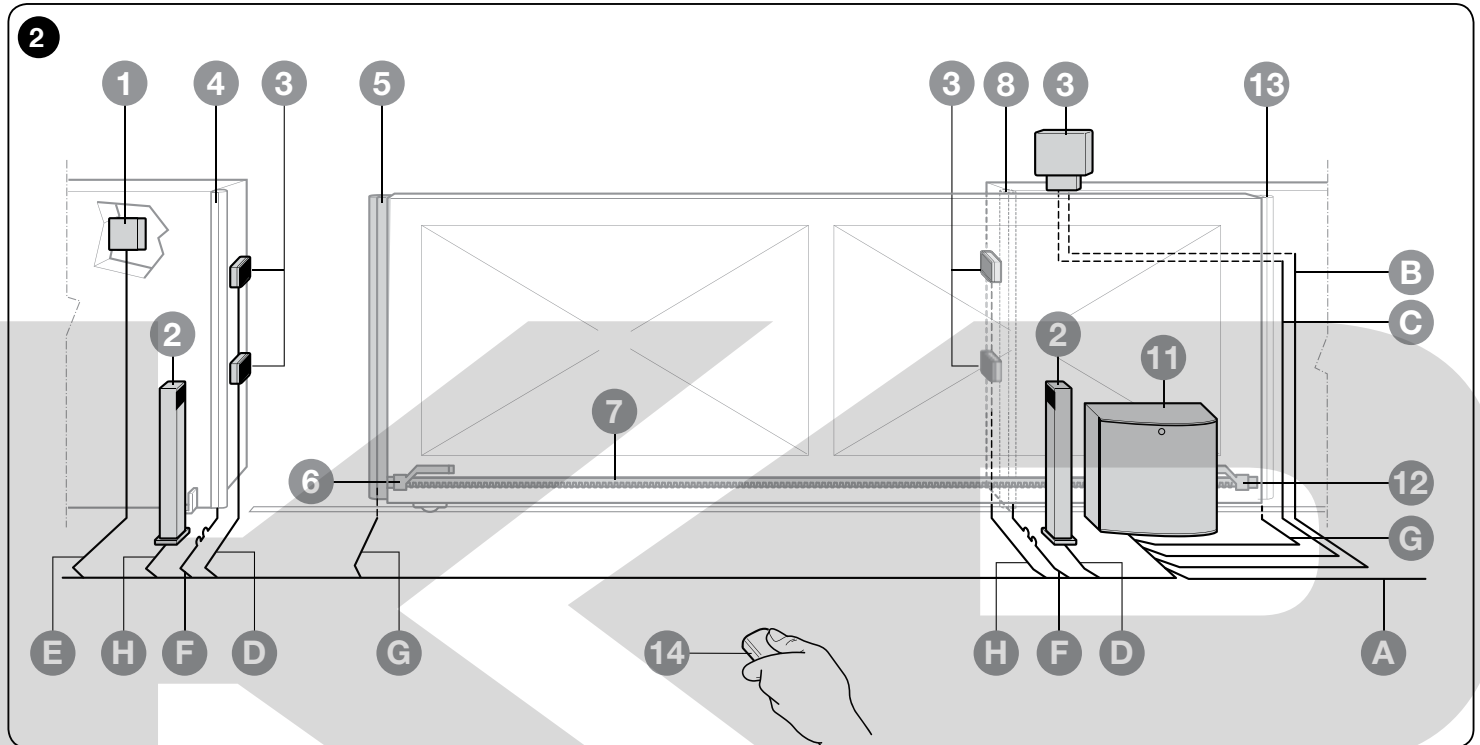
Grafische weergave van de cycli per uur, als functie van de lengte van de vleugel van het hek.



2.3 - Standaardinstallatie

Op **afb. 2** staat een typische installatie voor automatisering van een schuifhek met gebruik van TUB4000.

- 1 Sleutelschakelaar
- 2 Fotocellen op zuiltje
- 3 Fotocellen FOTO
- 4 Primaire vaste contactlijst (apart verkrijgbaar)
- 5 Primaire mobiele contactlijst
- 6 Beugel voor eindschakelaar "Open"
- 7 Tandheugel
- 8 Secundaire vaste contactlijst (apart verkrijgbaar)
- 9 Knipperlicht
- 10 Antenne
- 11 Motor
- 12 Beugel voor eindschakelaar "Gesloten"
- 13 Secundaire mobiele contactlijst (apart verkrijgbaar)
- 14 Radiozender



2.4 - Bevestiging van de reductiemotor

Als er al een steunoppervlak aanwezig is, moet de reductiemotor rechtstreeks op dit oppervlak worden bevestigd met behulp van aangepast bevestigingsmateriaal, bijvoorbeeld met uitzettingspluggen.

Anders gaat u voor de bevestiging van de reductiemotor als volgt te werk:

01. Graaf een funderingsput met de juiste afmetingen.
02. Plaats één of meer buizen voor de doorgang van de elektriciteitskabels, zoals weergegeven in **afb. 5**.
03. Monteer de 4 verankeringsbouten op de funderingsplaat en plaats daarbij één moer onder de plaat en één moer erboven, zoals op **afb. 3**, zodat het schroefdraadgedeelte zo veel mogelijk boven de plaat uitsteekt.
04. Giet het beton en leg de funderingsplaat voordat het beton begint te harden; controleer of de plaat parallel loopt aan de vleugel en perfect horizontaal is, zoals op **afb. 5**. Wacht tot het beton volledig gehard is.
05. Verwijder de behuizing van de reductiemotor door de operatie omgekeerd uit te voeren aan wat is weergegeven op **afb. 7**.
06. Zet de reductiemotor op de funderingsplaat en plaats hem perfect parallel aan de vleugel. Zet hem vervolgens stevig vast aan de 4 verankeringsbeugels met de 4 meegeleverde moeren en bijbehorende ringen, zoals op **afb. 6**.
07. Ontgrendel het rondsel zoals beschreven in de paragraaf "Ontgrendeling en handmatige verplaatsing" van het hoofdstuk "Aanwijzingen en aanbevelingen bestemd voor de gebruiker van de TUB4000".
08. Open de vleugel helemaal, laat het eerste deel van de tandheugel op het rondsel rusten en controleer of het begin van de tandheugel overeenkomt met het begin van de vleugel. Controleer of er tussen het rondsel en de tandheugel een speling van 2 à 3 mm is, bevestig vervolgens de tandheugel op de vleugel met aangepaste hulpmiddelen.
09. Laat de vleugel lopen en gebruik altijd het rondsel zoals aangegeven om de andere elementen van de tandheugel vast te zetten.
10. Snijd het overtollige gedeelte van het laatste deel van de tandheugel af.
11. Probeer de vleugel enkele keren in openings- en sluitingsstand te bewegen en controleer of de tandheugel in lijn met het rondsel loopt, met een maximale afwijking van de uitlijning van 10-15 mm; controleer ook of de speling van 2 à -3 mm tussen rondsel en tandheugel over de hele lengte wordt gerespecteerd.
12. Zet de eindaanslagbeugels van "Opening" en "Sluiting" vast met de hiervoor bestemde schroeven aan de uiteinden van de tandheugel, zoals op **afb. 4**. Bedenk dat wanneer de eindaanslagen geactiveerd worden, de vleugel nog 2÷3 cm zal bewegen; het is daarom raadzaam om de eindaan-

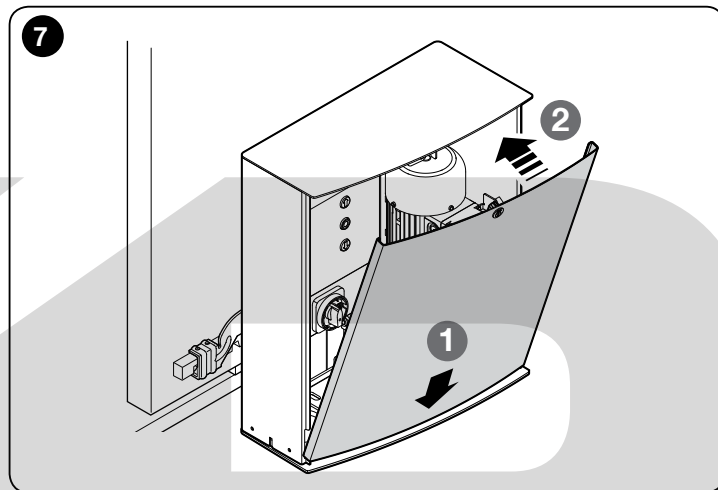
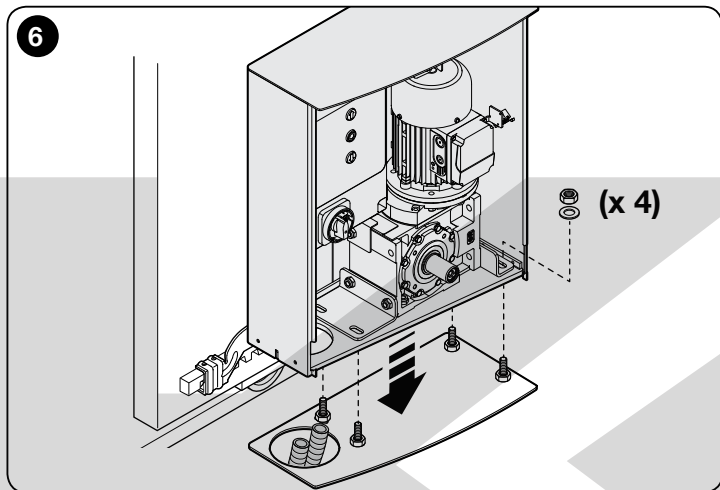
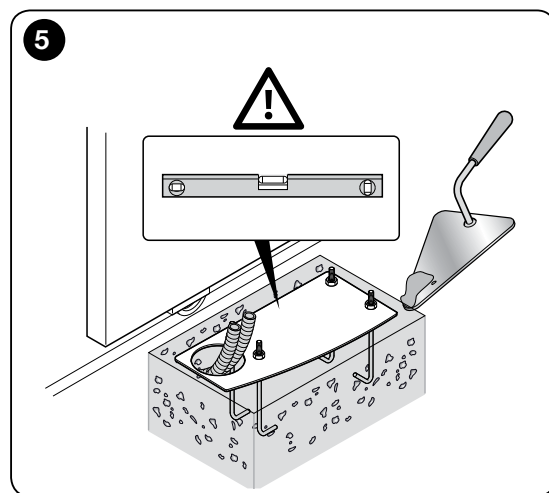
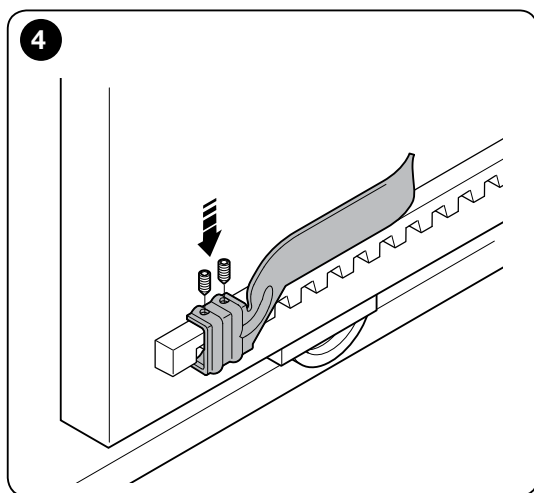
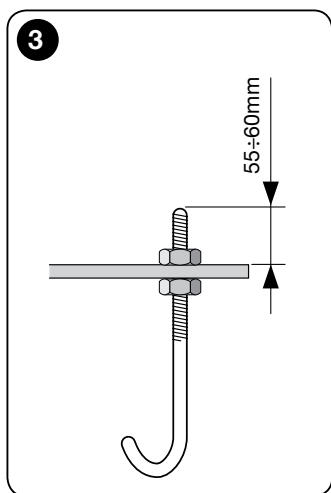
- slagbeugels met een goede marge op de mechanische stops te plaatsen.
13. Voer de onder punt 07 beschreven operatie omgekeerd uit en blokkeer het rondsel.
14. Zet de behuizing vast aan de TUB4000 zoals op **afb. 7** en verzeker dat het hendeltje van de eindaanslag boven het rondsel vrij kan bewegen.
15. Sluit de deur van de reductiemotor en verzeker u ervan dat de veiligheidsmicro rechts van de elektromotor wordt aangedreven.

▲ Om te vermijden dat het gewicht van de vleugel of de reductiemotor kan steunen, is het belangrijk dat er tussen de tandheugel en het rondsel een speling is van 2 à 3 mm.

2.5 - Installatie van verschillende inrichtingen op de besturingseenheid

Installeer alle beoogde inrichtingen volgens de betreffende aanwijzingen. Controleer in de hoofdstuk 7 (DPRO500) welke inrichtingen kunnen worden verbonden met TUB4000.

LET OP! – Alle elektrische aansluitingen moeten worden uitgevoerd met de elektrische voeding uitgeschakeld, en wel door ervaren, gekwalificeerd personeel dat voldoet aan de eisen en met volledige inachtneming van de wetten, normen en verordeningen.



3 ELEKTRISCHE AANSLUITINGEN

In de gebruikelijke installatie van **afb. 3** worden ook de kabels aangegeven die nodig zijn om de verschillende inrichtingen aan te sluiten; in tabel 2 worden de kenmerken van de kabels vermeld.

De gebruikte kabels moeten geschikt zijn voor het installatietype; zo raden wij bijvoorbeeld een kabel aan van het type H05VV-F voor plaatsing binnenshuis of H07RN-F voor plaatsing buitenshuis.

TABEL 2 - Technische kenmerken van de elektriciteitskabels (afb. 2)

Aansluiting	Kabeltype	Maximaal toegestane lengte
A: Elektrische toevoerleiding	1 kabel 4 x 1,5 mm ²	30 m (opmerking 1)
B: Knipperlicht	1 kabel 2 x 1mm ²	20 m (opmerking 7)
C: Antenne	1 afgeschermde kabel type RG58	(aanbevolen minder dan 5 meter)
D: Zenderfotocel	1 kabel 2 x 0,25 mm ²	30 m (opmerking 3)
E: Sleutelschakelaar	2 kabels 2 x 0,25 mm ²	50 m (opmerking 2)
F: Vaste contactlijsten	1 kabel 2 x 0,5 mm ²	30 m (opmerkingen 4 - 6)
G: Mobiele contactlijsten	1 kabel 2 x 0,5 mm ²	30 m (opmerkingen 4 - 5 - 6)
H: Ontvangerfotocellen	2 kabels 2 x 0,25 mm ²	30 m (opmerkingen 2 - 3)

Opmerking 1 – Als de voedingskabel meer dan 30 m lang is, is er een kabel met een grotere doorsnede nodig, bijvoorbeeld 4 x 2,5 mm², en is aarding in de nabijheid van de automatisering nodig.

Opmerking 2 – De twee kabels van 2 x 0,25 mm² kunnen worden vervangen door een enkele kabel van 4 x 0,25 mm².

Opmerking 3 – Gebruik afgeschermde kabels als de lengte groter is dan 30 m, en verbind de aardingskabelschoen alleen aan de kant van de besturingseenheid.

Opmerking 4 – Bij bijzondere toepassingen kan het nodig zijn meerdere contactlijsten te gebruiken. Als er meer dan één lijst aanwezig is, gelieve de gebruiksaanwijzing te raadplegen voor het aanbevolen type aansluiting.

Opmerking 5 – Voor aansluiting van de mobiele contactlijsten op schuifvleugels dient u de nodige inrichtingen te gebruiken waardoor aansluiting ook mogelijk is bij een vleugel in beweging.

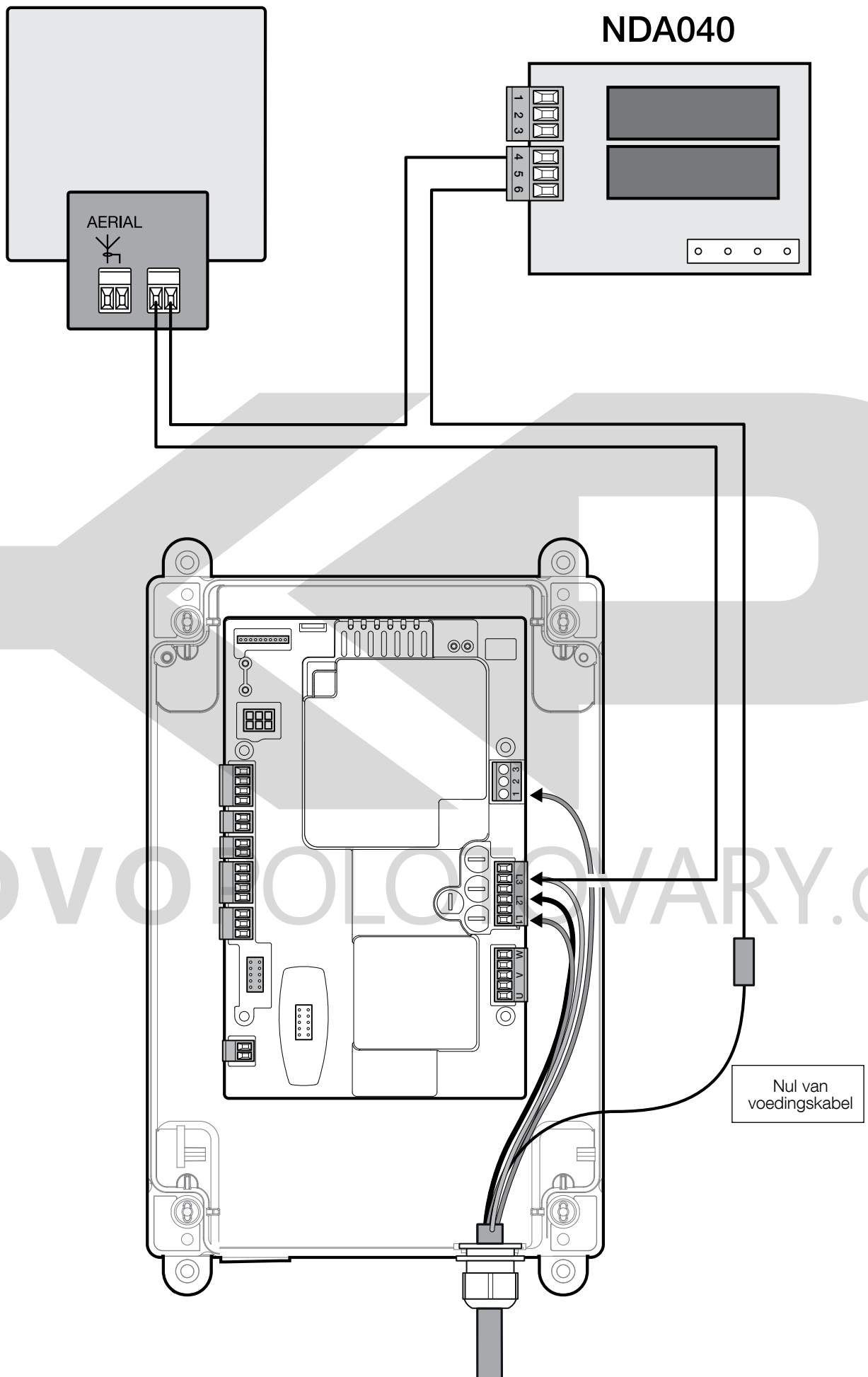
Opmerking 6 – Het benodigde aantal geleiders voor aansluiting van mobiele of vaste contactlijsten hangt af van de techniek die gebruikt is om de vereiste veiligheids categorie te waarborgen. Het voorbeeld heeft betrekking op contactlijsten TCB65 verbonden met TCE-interfaces.

Opmerking 7 – Er kan een knipperlicht worden aangesloten met 230Vac. Zie voor de verbinding **afb. A**.

LET OP! – De gebruikte kabels moeten geschikt zijn voor het type omgeving waar de automatisering geïnstalleerd wordt.

Nadat de elektrische aansluitingen zijn verricht, raadpleeg hoofdstuk 7 (DPRO500) waar de procedures voor de eerste inschakeling, herkenning van veiligheidsinrichtingen en eindaanslagen worden uitgelegd.

A



NDA040

AERIAL

Nul van
voedingskabel

4 EINDTEST EN INBEDRIJFSTELLING

De fasen van het testen en in werking stellen zijn de belangrijkste tijdens de realisering van de automatisering om maximale veiligheid te garanderen. De eindtest kan ook worden gebruikt om de inrichtingen van de automatisering periodiek te controleren.

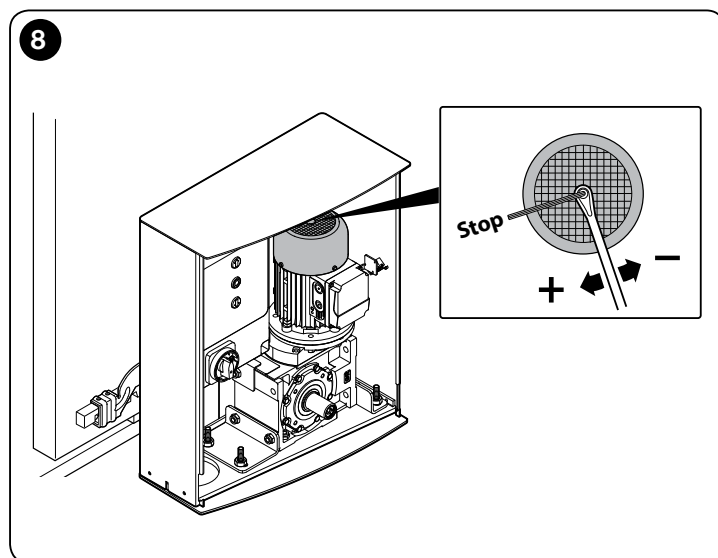
Deze fasen moeten worden uitgevoerd door gekwalificeerd en ervaren personeel, dat de benodigde tests moet uitvoeren om de veiligheidsmaatregelen te controleren en dat tevens moet controleren of de wetten, normen en regels op dit gebied in acht worden genomen, in het bijzonder de eisen in de norm EN 12445, die de testmethoden voor de controle van automatiseringen voor hekken en poorten bepaalt. De extra inrichtingen moeten aan een specifieke test worden onderworpen, om zowel de werking als de interactie met de besturingseenheid te controleren. Raadpleeg hiervoor de instructiehandleidingen van de betreffende inrichtingen.

4.1 - Eindtest

De serie handelingen die voor de hierna beschreven test moeten worden uitgevoerd, hebben betrekking op een standaardinstallatie (afb. 2):

- 1 Controleer of alle informatie beschreven in het hoofdstuk "Aanbevelingen voor de installatie" nauwkeurig in acht is genomen.
- 2 Gebruik de besturingsinrichtingen (zender, bedieningsknop, sleutelschakelaar, etc.) om de tests uit te voeren voor het openen, sluiten en stoppen van het hek, en te controleren of de beweging van de vleugels overeenkomt met de instelling. Er dienen verschillende tests te worden uitgevoerd om de beweging van het hek te beoordelen en te controleren of er geen sprake is van montage- of afstellingsfouten of ongewenste wrijving.
- 3 Controleer één voor één of alle veiligheidsinrichtingen in de installatie goed werken (fotocellen, contactlijsten, enz.).
- 4 Als de gevaarlijke situaties, die zijn veroorzaakt door de beweging van de vleugels, zijn weggenomen door de beperking van de sluitkracht, moet er een krachtmeting worden uitgevoerd, zoals bepaald door de norm EN 12445.
- 5 Ga na of de stopafstand van de vleugel 2-3 cm bedraagt; zo niet, regel dan de mechanische rem als volgt (afb. 8):
 - a. Draai de moer op de motoras ongeveer een halve slag met de klok mee;
 - b. Draai de moer verder, als de halve slag niet genoeg is;
 - c. Zorg dat de moer niet te veel wordt aangedraaid, want dan zou de elektromotor helemaal kunnen worden geblokkeerd.

⚠ Voor de regeling van de mechanische rem moet de elektrische voeding worden uitgeschakeld door de hoofdschakelaar in de besturingseenheid op "OFF" te zetten.



KOVO POLOTOVARY.CZ

5 GEÏNTEGREERDE BESTURINGSEENHEID DPRO500



⚠ BELANGRIJK!

Alvorens handelingen of werkzaamheden uit te voeren, dient u eerst de algemene aanbevelingen (pag. 1) goed door te lezen, alsook de gebruikslimieten (paragraaf 6.2)

5.1 - Beschrijving van het product en gebruiksbestemming

De besturingseenheid DPRO500 is bestemd voor het bedienen van elektromechanische actuatoren voor de automatisering van hekken, sectionaalpoorten of rolluiken.

LET OP! – Elk ander gebruik dan in deze handleiding is beschreven of dat plaatsvindt in andere omgevingscondities dan in deze handleiding worden beschreven, moet als oneigenlijk en verboden worden beschouwd!

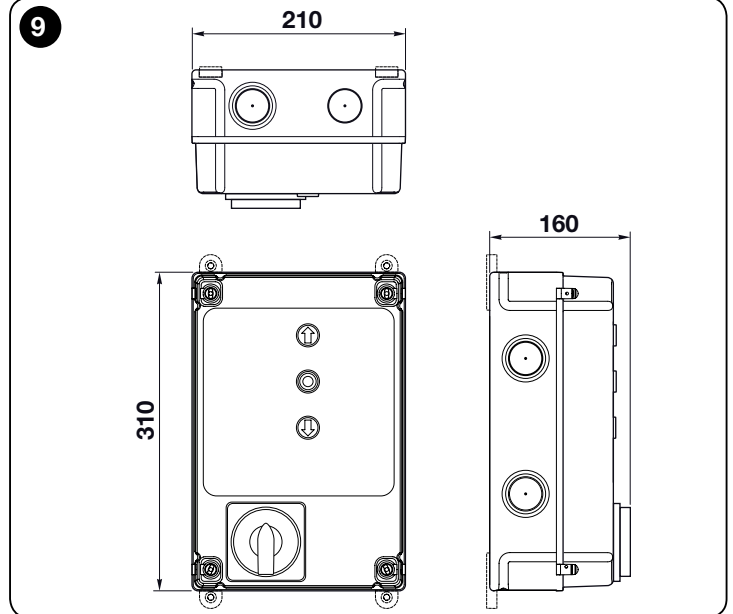
De besturingseenheid kan aan alle gewone veiligheidselementen worden aangesloten. Voor het openen en sluiten van een hek hoeft alleen de specifieke knop op het deksel of de externe knop te worden ingedrukt of kan de radio-ontvanger gebruikt worden.

6 INSTALLATIE

6.1 - Controles voorafgaand aan de installatie

Alvorens te gaan installeren, moet worden gecontroleerd of de productonderdelen intact zijn, of het juiste model betreft en of de omgeving geschikt is voor de installatie:

- Controleer of al het materiaal in goede staat verkeert en geschikt is voor het bestemde gebruik.
- Controleer of alle gebruiksomstandigheden binnen de gebruikslimieten van het product vallen (paragraaf 6.2) en binnen de grenswaarden die vermeld staan in "Technische eigenschappen van het product".
- Controleer of de installatieomgeving ruim genoeg is voor het product (afb. 9).
- Controleer of het installatieoppervlak solide is en een stabiele bevestiging kan garanderen.
- Controleer of de bevestigingsplaats niet onderhevig is aan wateroverlast; monteer het product eventueel ver boven de grond.
- Controleer of er voldoende ruimte is rond het product, zodat het veilig en eenvoudig bereikbaar is.
- Controleer of alle elektriciteitskabels van het type zijn dat in Tabel 1 staat aangegeven.
- Controleer of er in de automatisering mechanische stoppen zijn bij het sluiten en openen.



6.2 - Gebruikslimieten van het product

Het product mag uitsluitend worden gebruikt zoals in de volgende tabel staat aangegeven:

Voeding besturingseenheid	Type motor*
Driefasig 3x400 Vac - 50/60Hz	Driefasig 3x400 Vac – 50/60 Hz met Nice encoder of mechanische eindaanslagen
Eenfasig 1x230 Vac - 50/60Hz	Eenfasig 1x230 Vac – 50/60 Hz met Nice encoder of mechanische eindaanslagen

(* Met inachtneming van de bijbehorende gebruikslimieten.

Voor de eenfasige motoren, zie paragraaf 7.2.

⚠ LET OP! – De besturingseenheid die in deze instructiehandleiding staat beschreven mag niet worden gebruikt in omgevingen waar explosiegevaar bestaat.

Belangrijk – Prepareer, voordat u het product gaat installeren, de elektriciteitskabels die nodig zijn voor de installatie, zie "Tabel 1 - Technische specificaties van de elektriciteitskabels".

⚠ Let op! – Houd er, tijdens het leggen van de leidingen voor de doorgang van de elektriciteitskabels en de ingang van de kabels in de behuizing van de besturingseenheid, rekening mee dat, door mogelijke afzettingen van water dat aanwezig is in de verdeelschachten, de aansluitleidingen voor condensvorming kunnen zorgen in de besturingseenheid, hetgeen de elektronische circuits kan beschadigen.

6.3 - Installatie van de besturingseenheid

Ga als volgt te werk voor de bevestiging van de besturingseenheid:

- 01. Open de doos van de besturingseenheid:** draai de betreffende schroeven los, zoals aangegeven in **afb. 10-A / afb. 10-B**;
- 02.** Maak de openingen voor de doorgang van de elektriciteitskabels van de bedienings- en/of signaleringsuitrustingen. Wij raden aan om hiervoor, en ook om de IP-beschermingsgraad te behouden, een geschikt gereedschap (bijvoorbeeld een gatenzaag) te gebruiken en op de aangegeven

TABEL 1 - Technische kenmerken van de elektriciteitskabels

Aansluiting	Kabeltype	Maximaal toegestane lengte
Kabel VOEDING BESTURINGSEENHEID - driefasig - eenfasig	4 x 1 mm ² 3 x 0,75 mm ²	5 m (opmerking 1) 2 m (opmerking 1)
MOTORKABEL	voor Nice reductiemotoren zijn speciale kabels verkrijgbaar als accessoire. voor reductiemotoren van andere merken dient u contact op te nemen met de motorfabrikant	5 - 7 - 11 m
Kabel KNIPPERLICHT met antenne	2 x 1 mm ² (voor knipperlicht 230Vac) afgeschermde kabel type RG58 (voor antenne)	10 m
Kabel FOTOCELLEN	4 x 0,5 mm ²	10 m
Kabel SLEUTELSCHAKELAAR	2 kabels 2 x 0,25 mm ²	10 m (opmerking 2)
SPIRAALKABEL voor veiligheidsrand	spiraalkabel van Nice verkrijgbaar als accessoire	50 m

Opmerking 1 – Als de voedingskabel langer is dan de maximaal toegestane lengte, moet er een kabel met een grotere doorsnede worden gebruikt

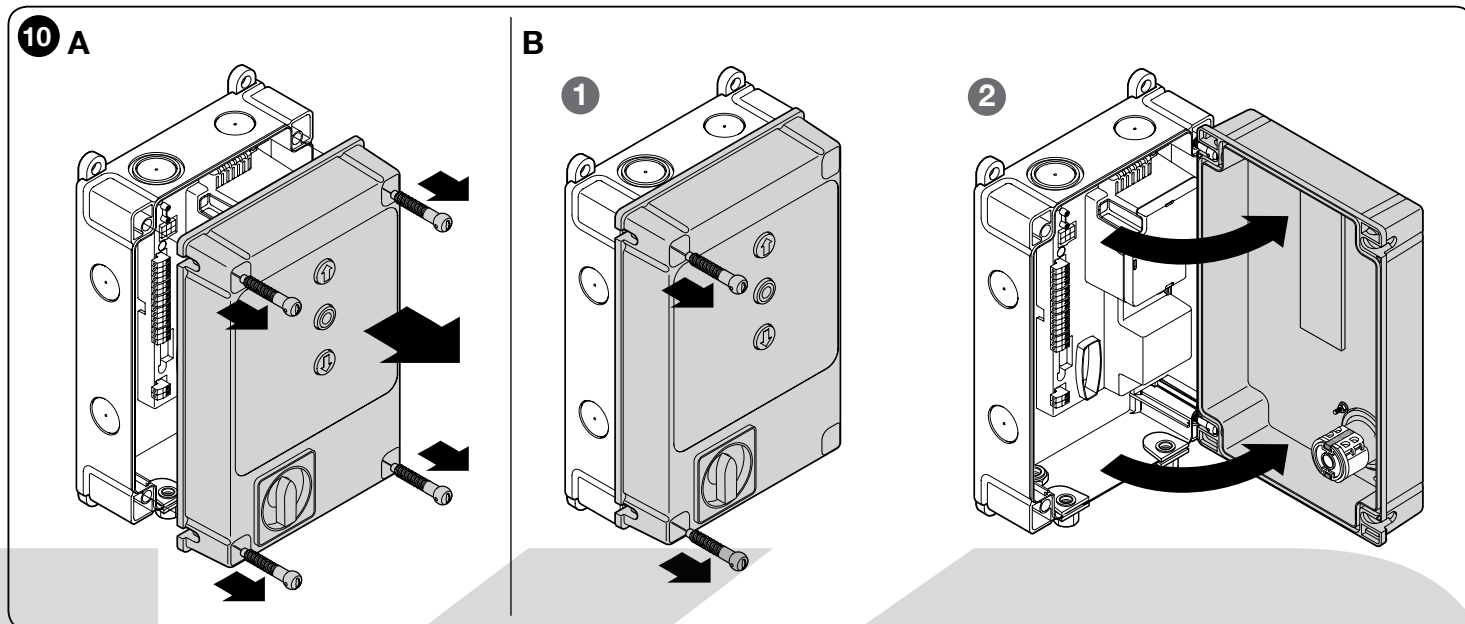
Opmerking 2 – Deze 2 kabels kunnen worden vervangen door 1 enkele kabel van 4 x 0,5 mm²

LET OP! – De gebruikte kabels moeten geschikt zijn voor het type omgeving waar de automatisering geïnstalleerd wordt.

plaatsen aan de onderkant van de doos te boren. Indien nodig kunnen de kabelingen aan de zijkant gebruikt worden, maar alleen met gebruik van geschikte buisverbindingen;

03. Nu is het mogelijk om alle elektrische aansluitingen uit te voeren: raadpleeg hiervoor hoofdstuk 7.

Raadpleeg voor de installatie van de andere inrichtingen van de automatisering de betreffende instructiehandleidingen.



7 ELEKTRISCHE AANSLUITINGEN

LET OP!

- Alle elektrische aansluitingen moeten worden uitgevoerd als de elektrische voeding is uitgeschakeld;
- De werkzaamheden voor de aansluiting mogen uitsluitend door gekwalificeerd personeel worden uitgevoerd;
- U moet op het spanningsnet een apparaat aansluiten dat zorgt voor volledige loskoppeling van de automatisering van de netvoeding. De stroomonderbreker moet een openingsafstand tussen de contacten hebben die volledige afkoppeling mogelijk maakt bij de condities die zijn vastgelegd voor overspanningscategorie III, conform de installatieregels. Indien nodig garandeert deze inrichting een snelle en veilige afsluiting van de elektrische voeding; daarom moet ze in het zicht van de automatisering geplaatst worden. Als ze echter uit het zicht staat, moet er een systeem zijn dat een eventuele, onbedoelde of ongeautoriseerde heraanluiting van de voeding blokkeert, om gevaar te voorkomen. De onderbrekingsinrichting wordt niet bij het product geleverd.
- **Selectie van de voedingsspanning:**
De besturingseenheid kan goed functioneren met drie- of eenfasige voeding (zie de aansluitschema's) bij spanningen van 400V of 230V.
De standaardinstelling is een driefasenvoedingsspanning van 400V. Om de eenfasige voeding van 230V te selecteren moet de aanwijzing in par. 7.2 worden opgevolgd

7.1 - Aansluiting van de driefasenvoedingskabel

Raadpleeg voor de uitvoering van de elektrische aansluiting **afb. 11**. Aan de klemmen L1, L2, L3 en aan de klem PE moet een eurostekker van 16A worden verbonden.

7.2 - Aansluiting van de eenfasevoedingskabel

Raadpleeg voor de uitvoering van de elektrische aansluiting **afb. 12**. Aan de klemmen L1, L3 en aan de klem PE moet een schukostekker worden verbonden.

7.3 - Verandering van de voeding met een jumper

De voeding van de besturingseenheid kan ook worden veranderd met een jumper, als volgt (**afb. 13**)

- 01.** Verwijder het bovendeksel
- 02.** Haal de jumper weg (standaardstand 3x400V) met een pincet
- 03.** Plaats de jumper (1x230V)
- 04.** Plaats het bovendeksel terug

7.4 - Beschrijving van de elektrische aansluitingen (afb. 14): voeding, beveiligingsmechanismen, besturing en accessoires

Op de ingangen 8, 9, 10, 11 kunnen besturingsinrichtingen worden aangesloten met NO-contacten (normally open), of NC-contacten (normally closed). Een of meerdere van deze ingangen, of een combinatie hiervan, naast eventueel de

ingangen van STOP/HALT, kunnen dus gebruikt worden voor de aansluiting van bijvoorbeeld een extern knoppenbord of een schakelaar met kabel verbonden aan het plafond.

PUSH BUTTONS - ingang voor de aansluiting van het knoppenbord op het deksel van de doos.

ENCODER - ingang voor de aansluiting van de bekabeling van de elektronische eindaanslag (encoder Nice). Niet bruikbaar in deze versie.

COMMON (8) - ingang van 24 Vdc die werkt als gemeenschappelijke ingang voor OPEN, CLOSE en ING1 en positief voor de spanning voor de gebruikers.

OPEN (9) - ingang voor inrichtingen die de opening besturen; er kunnen ook contacten van het type "normally open" op worden aangesloten.

CLOSE (10) - ingang voor inrichtingen die de sluiting besturen; er kunnen ook contacten van het type "normally open" op worden aangesloten.

ING1-photo- (11) - ingang normally closed (NC) voor inrichtingen die de automatiseringsbeweging besturen. Als u deze ingang correct programmeert met de Nice programmeereenheid Oview, is het mogelijk de volgende werkwijzen te bereiken:

- Stap-voor-stap
- Open gedeeltelijk
- Openen
- Sluiten
- Foto (default)
- Foto 1
- Halt bij opening
- Halt bij sluiting

Voor instructies voor de programmering en de beschrijving van de beschikbare functies dient u de functiekaarten van Oview voor DPRO500 te raadplegen.

ALT - ingang voor inrichtingen die de lopende beweging stoppen. Sluit contacten aan van het type "normally closed".

SAFE - ingang voor de aansluiting van de thermische beveiliging van de motor. **LET OP!** - Deze wordt alleen voor motoren met mechanische eindaanslagen gebruikt. Laat "niet aangesloten" bij motoren met elektronische eindaanslag.

LIMIT SWITCH - ingang voor de aansluiting van de mechanische eindaanslagen.

- (1) Gemeenschappelijk eindaanslag
- (2) eindaanslag openen
- (3) voor-eindaanslag sluiten
- (4) eindaanslag sluiten

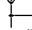
STOP - ingang voor de aansluiting van veiligheidsranden van het weerstandstype (8k2) ofwel optische (OSE), zoals als volgt beschreven (**afb. 15**):
OSE aansluiting:

- 5 → positief 12Vdc (+) (bruine draden)
- 6 → signaal (S) (groene draden)
- 7 → negatief GND (-) (witte draden)

Aansluiting 8k2:

- Sluit de aansluiting van 8,2 kΩ aan tussen het klemmetje 6 (signaal- S) en 7 (negatief - GND)

IBT4N - ingang voor de aansluiting van de programmeereenheid Oview, met de speciale adapter IBT4N. LET OP - koppel de voeding los, voor u de programmeereenheid aansluit of loskoppelt.

ANTENNE  - ingang voor de aansluiting van de antenne voor de radio-ontvanger (N.B.: de antenne is ingebouwd in de knipperlichten van Nice LUCY B, MBL, MLBT).

OUT (CONNECTOR VOOR NDA040) - connector voor aanvullende kaart NDA040 die twee uitgangen toevoegt aan spanningsloze contacten. Deze uitgangen kunnen goed worden geprogrammeerd met de programmeereenheid Nice Oview. Voor instructies betreffende de programmering en de beschrijving van de beschikbare functies moet u de handleiding raadplegen van de aanvullende kaart NDA040.

MOTOR - uitgang voor de aansluiting van de driefasemotor en van de eenfasemotor.

Voor eenfasemotoren:

U - gemeenschappelijk


V - openen

W - sluiten

LINE - ingang voor de aansluiting van de elektrische voeding.

L1-L2-L3: DRIEFASIGE aansluiting

L1-L3: EENFASIGE aansluiting

 **PE** - ingang voor de aardaansluiting voor de besturingseenheid en motoren.

BELANGRIJK!

Wij RADEN U AF om een willekeurig type inrichting of een uitrusting die niet uitdrukkelijk in deze instructiehandleiding wordt aangegeven, aan te sluiten.

De fabrikant wijst iedere aansprakelijkheid af voor eventuele schade die het gevolg is van een oneigenlijk gebruik van de verschillende inrichtingen van het systeem, d.w.z. gebruik dat niet in overeenstemming is met wat in deze instructiehandleiding wordt aangegeven.

Wend u tot de klantenservice van Nice voor meer informatie.

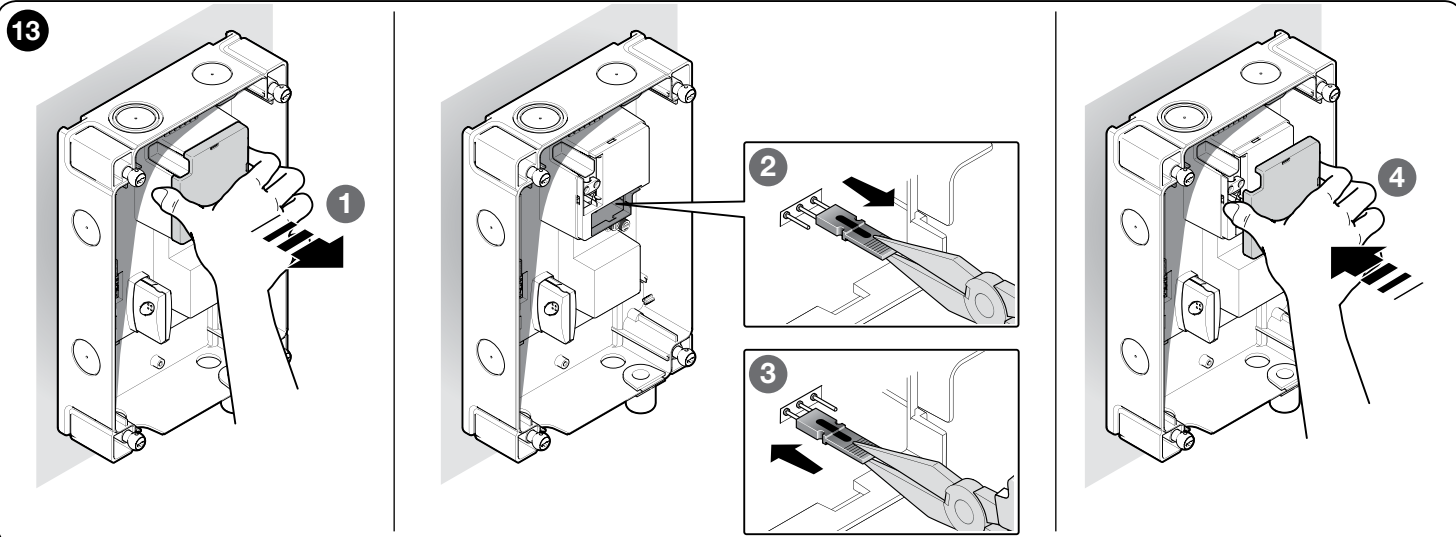
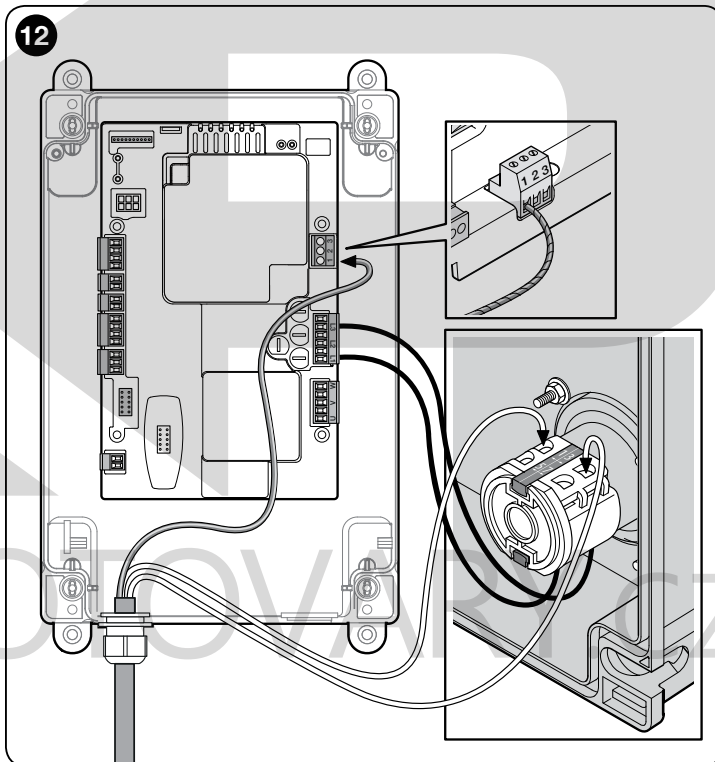
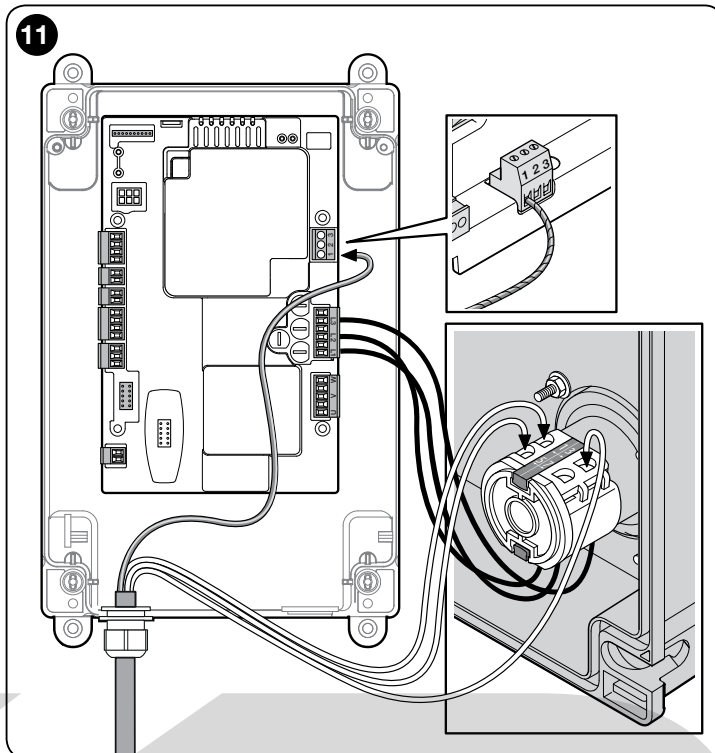
7.5 - Elektrische aansluitingen van de besturingseenheid



LET OP! - Alle elektrische aansluitingen moeten worden uitgevoerd als de elektrische netvoeding is uitgeschakeld.

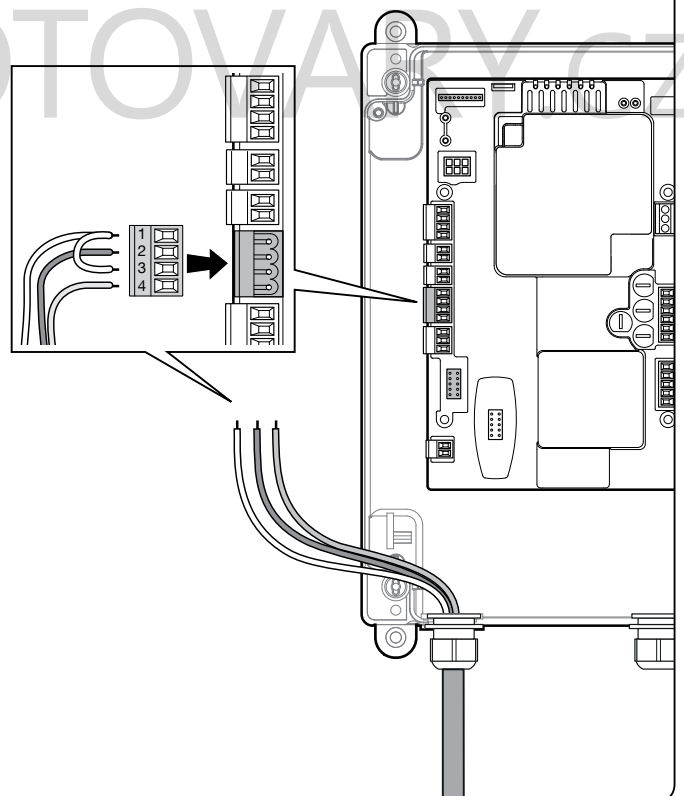
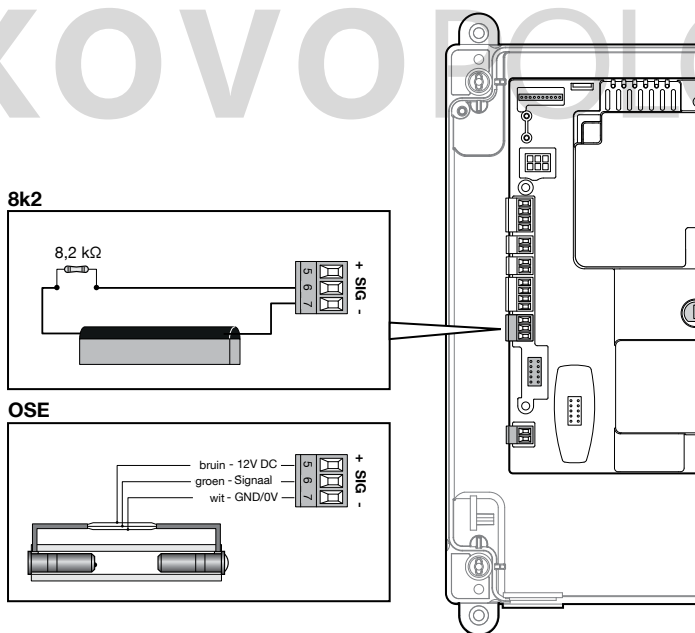
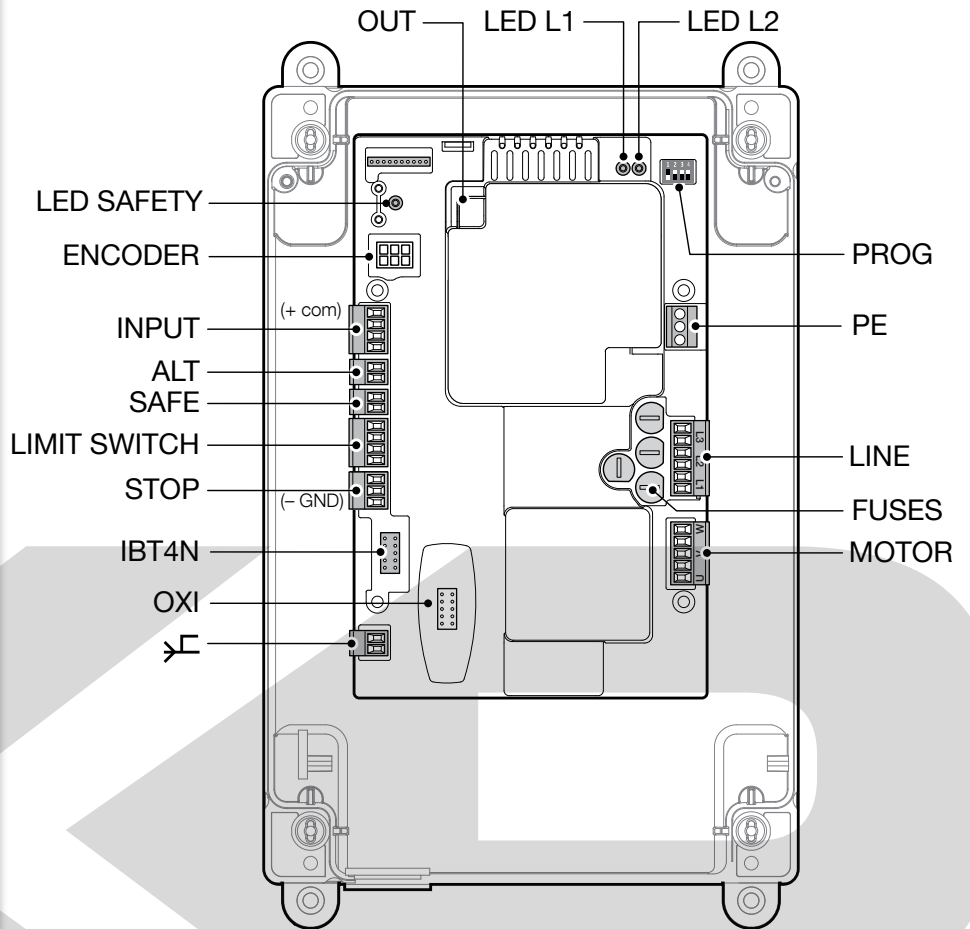
Nadat de doos van de besturingseenheid is bevestigd en de openingen voor de doorgang van de elektriciteitskabels zijn gemaakt (zie paragraaf 6.3), dienen de elektrische aansluitingen als volgt te worden uitgevoerd:

- 01.** Verbind eerst de elektrische voedingskabel:
 - voor de **driefasige** lijn, zie paragraaf 7.1 en **afb. 11**
 - voor de **eenfasige** lijn, zie paragraaf 7.2 en **afb. 12**
- 02.** Sluit vervolgens de elektriciteitskabel afkomstig van de motor aan:
 - Motor met mechanische eindaanslag (**afb. 16**)
- 03.** Sluit tenslotte de elektriciteitskabels van de verschillende inrichtingen aan, aan de hand van de **afb. 13** en paragraaf 7.3.

Opmerking - Om het aansluiten van de kabels te vergemakkelijken kunnen de klemmen uit hun zittingen worden gehaald.



LED SAFETY	= LED veiligheidsketen
LED L2	= LED OK (groen)
LED L1	= LED Warning (rood)
OUT	= slot voor invoeren kaart = accessoire NDA040 uitbreiding uitgangen
PROG	= DIP SWITCH voor programmering
ENCODER	= elektronische eindaanslag
INPUT	= externe ingangen (Gemeenschappelijk, Openen, Sluiten, Ing1, PHOTO) 8 - com (+24Vdc gemeenschappelijk) 9 - open (openen) 10 - close (sluiten) 11 - photo (ing1)
ALT	= klem HALT
SAFE	= alleen voor motoren met mechanische eindaanslag (laat niet aangesloten bij motoren met elektronische eindaanslag)
LIMIT SWITCH	= mechanische eindaanslag
STOP	= STOP klem gebruikt voor veiligheidsrand 8K2 of OSE 5 - positief (+) veiligheidsrand 6 - signaal veiligheidsrand 7 - negatief aarding (-)
IBT4N	= connector voor interface IBT4N (niet meegeleverd)
OXI	= connector voor de aansluiting van de radio-ontvangers met SM aansluiting (SMX/OXI)
	= antenne
	= aardaansluiting
LINE	= connector voor de aansluiting van de driefasen- of eenfasevoedingslijn
FUSES	= F1, F2, F3, F4: zie Technische Eigenschappen"
MOTOR	= motor



7.6 - Ingang STOP SAFETY EDGE

De functie van de ingang SAFETY EDGE is het veroorzaken van het direct stoppen van de momentane beweging na een korte omkering.

Aan deze ingang kunnen inrichtingen zoals optische veiligheidsranden worden aangesloten (OSE) of veiligheidsranden met uitgang met een constante weerstand van 8.2 kΩ.

De besturingseenheid herkent tijdens het aanleren het type aangesloten inrichting en veroorzaakt een "STOP" wanneer er sprake is van een verandering ten opzichte van de aangeleerde status.

Door het uitvoeren van de juiste handelingen kunt u op de STOP SAFETY EDGE-ingang meer dan één inrichting aansluiten, ook al zijn die niet van het hetzelfde type:

- NA-inrichtingen: de weerstand van 8,2 kΩ parallel aan de inrichting aansluiten;
- NC-inrichtingen: de weerstand van 8,2 kΩ in serie aan de inrichting aansluiten;
- het is mogelijk om meerdere NC-inrichtingen onderling "in serie" aan te sluiten zonder een maximaantal;
- als er meerdere inrichtingen zijn, moeten ze allemaal "in cascade" worden aangesloten met één afsluitweerstand van 8.2 kΩ;
- het is ook mogelijk om een combinatie van het type NA en NC te creëren, door de twee contacten "parallel" te plaatsen. In dit geval moet aan het NC-contact een weerstand van 8.2 kΩ "in serie" worden geplaatst; dit maakt de combinatie van drie inrichtingen mogelijk: NA, NC en 8.2 kΩ.

7.7 - Aansluiting van een RF-ontvanger

De besturingseenheid heeft een SM-connector voor de aansluiting van een RF-ontvanger (optionele uitrusting, niet meegeleverd) model SMXI, SMXIS, OXI of OXIT en eender.

Om de RF-ontvanger aan te sluiten moet de elektrische voeding naar de besturingseenheid worden uitgeschakeld en de RF-ontvanger worden aangesloten zoals aangegeven in **afb. 17**.

In Tabel 2 staan de acties die de besturingseenheid uitvoert afhankelijk van de geactiveerde uitgangen of de instructies die de RF-ontvanger heeft gestuurd.

N.B. - Raadpleeg voor overige informatie de instructiehandleiding van de ontvanger.

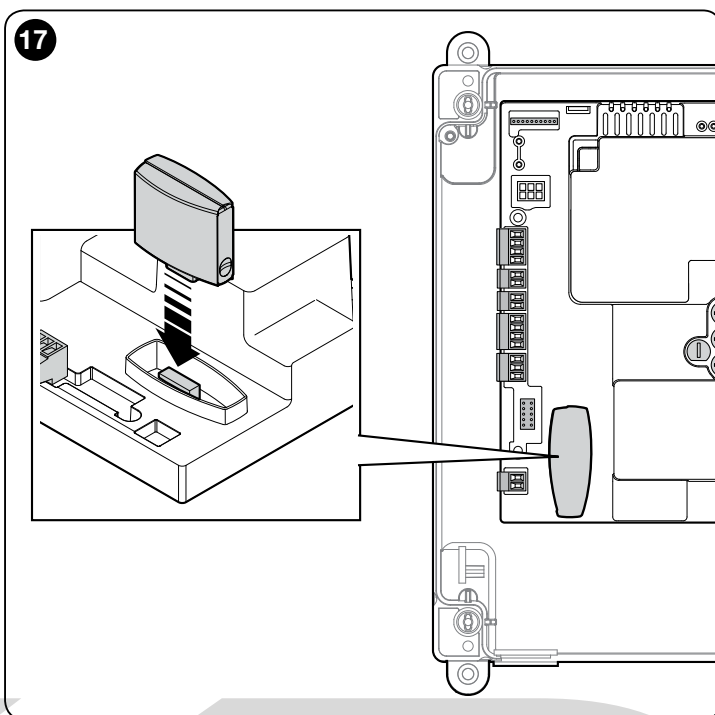
TABEL 2

Ontvanger SMXI, SMXIS in "Modus 1 of 2"	
uitgang	beschrijving
Uitgang nr. 1	Stap-voor-stap
Uitgang nr. 2	Gedeeltelijk openen; <u>fabriekswaarde</u> : halverwege openen (kan in de fase van het aanleren van de posities worden gewijzigd met de programmeereenheid Oview)
Uitgang nr. 3	Openen
Uitgang nr. 4	Sluiten
Ontvanger OXI, OXIT geprogrammeerd in "Modus 2 uitgebreid"	
instructie	beschrijving
Instructie nr. 1	Stap-voor-stap
Instructie nr. 2	Gedeeltelijk openen; <u>fabriekswaarde</u> : halverwege openen (kan in de fase van het aanleren van de posities worden gewijzigd met de programmeereenheid Oview)
Instructie nr. 3	Openen
Instructie nr. 4	Sluiten
Instructie nr. 5	Stop
Instructie nr. 6	Stap-voor-stap woonblok
Instructie nr. 7	Stap-voor-stap hoge prioriteit
Instructie nr. 8	Gedeeltelijk openen 2
Instructie nr. 9	Gedeeltelijk openen 3
Instructie nr. 10	Automatisering openen en vergrendelen
Instructie nr. 11	Automatisering sluiten en vergrendelen
Instructie nr. 12	Automatisering vergrendelen
Instructie nr. 13	Automatisering ontgrendelen
Instructie nr. 14	Timer Gebruikerslicht
Instructie nr. 15	Gebruikerslicht ON/OFF

7.8 - Eerste inschakeling en controle van de aansluitingen

Nadat de elektrische voeding naar de besturingseenheid is ingeschakeld, dienen de volgende controles te worden uitgevoerd:

- Controleer of de groene led L2 (vlakbij de DIP switch) regelmatig knippert, 1 keer per seconde.
- Als in de installatie fotocellen aanwezig zijn, controleer dan of hun leds knipperen (RX); de manier van knippen is niet van belang, want dit hangt af van andere factoren.



- Controleer of de rode SAFETY-led dichtbij de connector van de kabel van het toetsenbord permanent brandt (zie de diagnostiektafel Led Safety in paragraaf 10.2).

Als ook maar een van deze controles niet het gewenste resultaat heeft, moet de elektrische voeding naar de besturingseenheid uitgeschakeld worden en de eerder uitgevoerde elektrische aansluitingen worden gecontroleerd.

7.9 - Volledig wissen van het geheugen van de besturingseenheid

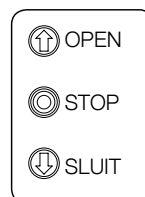
Het is mogelijk om alle in de besturingseenheid opgeslagen gegevens te wissen en de fabrieksinstellingen te herstellen.

01.	Stel de dip switch 1-2-3-4 op ON = de groene en rode leds beginnen heel snel te knipperen	
02.	Houd de STOP-toets 3 sec. lang ingedrukt totdat de rode en groene leds vast blijven branden	
03.	Laat de STOP-toets los	
04.	Nu zal de besturingseenheid een RESET uitvoeren = de rode en groene leds beginnen snel te knipperen	
05.	Stel de dip switch 1-2-3-4 in op OFF	

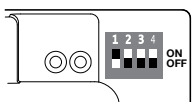
7.10 - Herkenning van de beveiligingen en van de openings- en sluitposities

Nadat u de eerste ontsteking heeft uitgevoerd (paragraaf 7.8), en voor u de openings- en sluitingsposities van het hek heeft ingesteld, dient u de herkenning van de beveiligingen uit te voeren die zijn aangesloten op de ingang "STOP Safety Edge", vanuit de besturingseenheid.

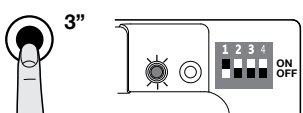
LET OP! - In de aanleerfase moet op z'n minst een beveiliging aanwezig zijn, die is aangesloten op de besturingseenheid.



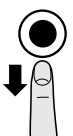
01. Stel de dip switch 1 in op ON =
- De groene led begint snel te knipperen
- De rode led is uit



02. Houd de STOP-toets ingedrukt totdat de rode led gaat branden met vast licht (na circa 3 sec.)



03. Laat de STOP-toets los



Deze procedure moet worden herhaald als een wijziging wordt aangebracht op de inrichtingen die zijn aangesloten op de klem "STOP Safety Edge" (bijvoorbeeld, nadat u een nieuwe inrichting op de besturingseenheid heeft aangesloten).

Nadat men de aanleerfase van de beveiligingen die in de automatisering aanwezig zijn heeft uitgevoerd, moet de besturingseenheid de openings- en sluitingsposities van het hek herkennen.

LET OP! - De aanleerprocedure van de beveiligingen en van de openings- en sluitposities van het hek, moet achter elkaar worden uitgevoerd, zonder onderbrekingen. Het is niet mogelijk eerst de aanleerprocedure van de beveiligingen uit te voeren en daarna het aanleren van de posities.

7.10.1 - De openings- en sluitingsposities met mechanische eindaanslag aanleren

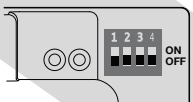
Er kunnen 2 posities worden geprogrammeerd, zoals als volgt wordt beschreven:

Positie	Betekenis
Openen	Positie van maximale opening. Als het hek deze positie bereikt stopt hij met bewegen.
Sluiten	Positie van maximale sluiting. Als het hek deze positie bereikt stopt hij met bewegen.


Let op! - Als de draairichting niet overeenkomt met de ingestelde richting (toets Open = openingsrichting), moeten de aansluitingen "V" en "W" (omkering van fase) in de motorconnector worden verwisseld (afb. 18).

Om de procedure uit te voeren gaat u als volgt te werk:

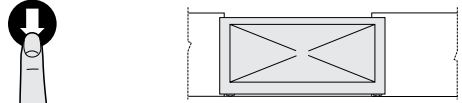
01. Breng de DIP switch 1 in stand OFF



02. Druk op de toets "Openen" om het hek in de stand van maximale opening te brengen



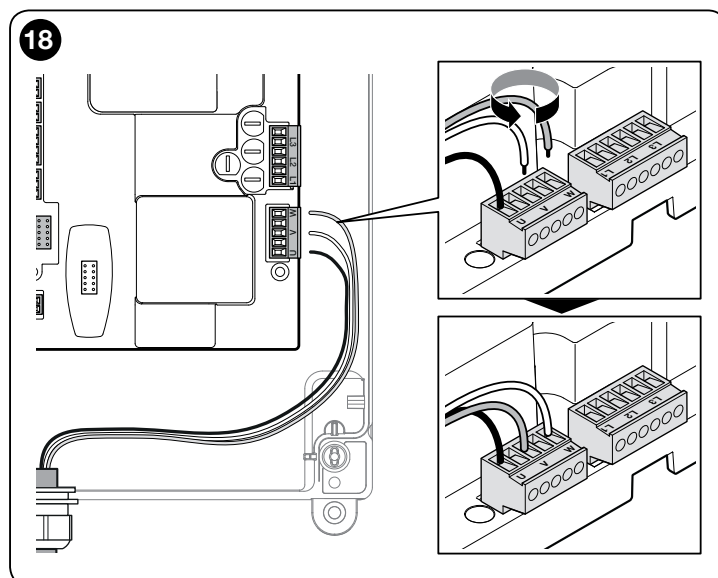
03. Druk op de toets "Sluiten" om het hek in de stand van maximale sluiting te brengen



LET OP! - De aanleerfasen mogen niet onderbroken worden. Als dit wel gebeurt, moet de gehele aanleerprocedure herhaald worden. Als aan het eind van de aanleerfase de rode led 9 keer knippert-pauze-9 keer knippert, betekent dit dat er een fout is opgetreden.

Als hij daarentegen knippert met het ritme 3 keer-pauze-3 keer, moet de fout worden gereset door op de toets STOP te drukken en de verbinding van de openingseindaanslag te verwisselen met die van de sluiting op de klem LIMIT SWITCH (afb. 14).

De fase van het aanleren van de posities kan op elk willekeurig moment herhaald worden, ook na de installatie.



7.11 - Werkwijze

LET OP! - Indien de functies uit tabel 3 zijn geprogrammeerd met de Oview-programmeereenheid moeten de dipswitches op OFF worden geprogrammeerd.

TABEL 3				
DIP1	DIP2	DIP3	DIP4	Functie
OFF	OFF	OFF	OFF	Beweging bij persoon aanwezig
ON	x	OFF	OFF	Aanleren posities en status HALT ingang
OFF	ON	OFF	OFF	Draairichting encoder omgekeerd
OFF	x	OFF	ON	Industriële modus (openen semi-automatisch - sluiten persoon aanwezig), als de posities ontvangen zijn
OFF	x	ON	OFF	Semi-automatische modus, als posities ontvangen zijn
OFF	x	ON	ON	Automatische modus met instelbare pauzetime, als posities zijn ontvangen (voor het opslaan van de pauzetime, zie par. 10.1.2 "Andere functies")

7.12 - Programmeereenheid Oview

Met de programmeereenheid Oview kunnen de installatie, het onderhoud en de diagnostiek van de gehele automatisering op volledige en snelle wijze worden beheerd.

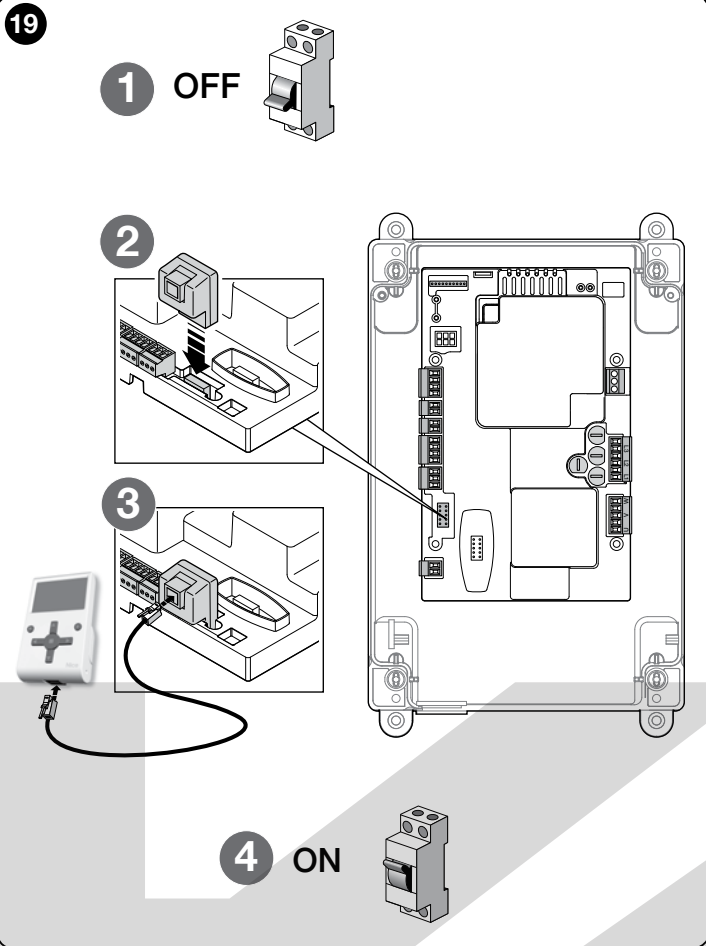
Het is mogelijk Oview op de centrale aan te sluiten door middel van de interface IBT4N via een bus-kabel met daarin 4 elektrische draden.

Om toegang te krijgen tot de connector BusT4 moet u de box van de centrale openen, de connector IBT4N in de speciale opening steken en daarna de programmeereenheid aansluiten (afb. 19).

Oview kan op een maximale afstand van 100 meter kabel van de besturingseenheid worden gebruikt, gelijktijdig aan meerdere besturingseenheden (max. 16) worden aangesloten en kan ook tijdens de normale werking van de automatisering aangesloten blijven. Teneinde Oview te gebruiken, is het heel belangrijk dat u de aanbevelingen in de instructiehandleiding van Oview in acht neemt.

Als er in de besturingseenheid een RF-ontvanger van de serie OXI zit, kunt u met Oview toegang krijgen tot de parameters van de zenders die in die ontvanger zijn opgeslagen. Raadpleeg voor meer informatie de instructiehandleiding van Oview of het functieblad van de besturingseenheid, dat beschikbaar is op de website www.niceforyou.com

LET OP! - Indien de functies uit tabel 3 zijn geprogrammeerd met de Oview-programmeereenheid moeten de dipswitches op OFF worden geprogrammeerd.



8 EINDTEST EN INBEDRIJFSTELLING

De fasen van het testen en in werking stellen zijn de belangrijkste tijdens de realisering van de automatisering om maximale veiligheid te garanderen. De eindtest kan ook worden gebruikt om de inrichtingen van de automatisering periodiek te controleren.

Deze fasen moeten worden uitgevoerd door gekwalificeerd en ervaren personeel, dat de benodigde tests moet uitvoeren om de veiligheidsmaatregelen te controleren en dat tevens moet controleren of de wetten, normen en regels op dit gebied in acht worden genomen, in het bijzonder de eisen in de norm EN 12445, die de testmethoden voor de controle van automatiseringen voor hekken en poorten bepaalt. De extra inrichtingen moeten aan een specifieke test worden onderworpen, om zowel de werking als de interactie met de besturingseenheid te controleren. Raadpleeg hiervoor de instructiehandleidingen van de betreffende inrichtingen.

8.1 - Eindtest

De serie handelingen die voor de hierna beschreven test moeten worden uitgevoerd, hebben betrekking op een standaardinstallatie:

- 1 Controleer of alle informatie beschreven in het hoofdstuk "Aanbevelingen voor de installatie" nauwkeurig in acht is genomen.
- 2 Ontgrendel de motor. Controleer of het hek handmatig geopend en gesloten kan worden met een kracht die niet groter is dan 225N.
- 3 Blokkeer de motor.
- 4 Gebruik de besturingsinrichtingen (zender, bedieningsknop, sleutelschakelaar, etc.) om de tests uit te voeren voor het openen, sluiten en stoppen van het hek, en te controleren of de beweging van de vleugels overeenkomt met de instelling. Er dienen verschillende tests te worden uitgevoerd om de beweging van het hek te beoordelen en te controleren of er geen sprake is van montage- of afstellingsfouten of ongewenste wrijving.
- 5 Controleer één voor één of alle veiligheidsinrichtingen in de installatie goed werken (fotocellen, contactlijsten, enz.).
- 6 Als de gevaarlijke situaties, die zijn veroorzaakt door de beweging van de vleugels, zijn weggenomen door de beperking van de sluitkracht, moet er een krachtmeting worden uitgevoerd, zoals bepaald door de norm EN 12445.

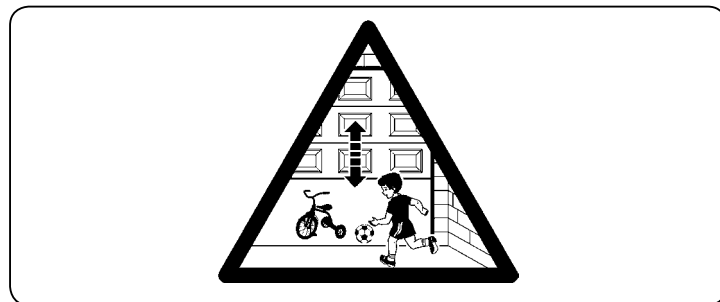
8.2 - Inbedrijfstelling

De installatie mag pas in werking worden gesteld nadat de besturingseenheid en de andere aanwezige inrichtingen volledig en met positief resultaat zijn getest (paragraaf 8.1). **Het is verboden om de installatie gedeeltelijk of onder "tijdelijke" omstandigheden te laten werken.**

- 1 Het technisch dossier moet samengesteld en minstens 10 jaar bewaard worden en moet ten minste bestaan uit: complete tekening van de automa-

tisering, schema van de elektrische aansluitingen, risicoanalyse en de bijbehorende genomen maatregelen, conformiteitsverklaring van de fabrikant van alle gebruikte inrichtingen (gebruik voor de besturingseenheid de bijgevoegde EG-verklaring van overeenstemming), exemplaar van de gebruikshandleiding en het onderhoudsplan voor de automatisering.

- 2 Breng op het hek een identificatieplaatje aan met ten minste de volgende gegevens: het type automatisering, naam en adres van de producent (verantwoordelijke voor de inbedrijfstelling), serienummer, bouwjaar en CE-merk.
- 3 Bevestig op permanente wijze in de nabijheid van het hek een etiket of een plaatje met aanwijzingen voor het ontgrendelen en handmatig bewegen van het hek.
- 4 Bevestig op permanente wijze een etiket of plaatje met deze afbeelding (minimale hoogte 60 mm) op het hek.



- 5 Stel de conformiteitsverklaring voor de automatisering op en geef hem aan de eigenaar van de automatisering.
- 6 Stel de handleiding "Aanwijzingen en aanbevelingen voor het gebruik van de automatisering" op en geef hem aan de eigenaar.
- 7 Stel een onderhoudsplan (met daarin de voorschriften voor het onderhoud van alle inrichtingen van de automatisering) op en geef hem aan de eigenaar van de automatisering.

9 INSTALLATIE EN ELEKTRISCHE AANSLUITING VAN TWEE BESTURINGSEENHEDEN VOOR WERKING MET TEGENOVERLIGGENDE VLEUGELS

Om een automatisering te realiseren die bestaat uit twee tegengesteld aan elkaar bewegende vleugels, moeten er twee besturingseenheden worden gebruikt die zijn aangesloten zoals aangegeven op **Afb. 20**.

De motoren en eindaanslagen moeten aan elke besturingseenheid worden verbonden. Het knipperlicht en de uitgang SCA (lampje hek open) kunnen om het even worden aangesloten op een van de twee besturingseenheden, of een voor elke besturingseenheid worden gemonteerd (**Afb. A** - pag. 6).

De ingangen moeten parallel aan elkaar worden geplaatst, de ingang "Gemeenschappelijk" kan worden aangesloten op een van de twee besturingseenheden.

Sluit de klemmen "-" van de contactlijst (8k2/OSE) van de twee besturingseenheden samen aan.

Configureer de ingang "Opent" als "Woonblok", met de programmeereenheid O-View die het mogelijk maakt de vleugels opnieuw te synchroniseren als de twee centrale vleugels hun synchronisme verliezen.

Bij deze configuratie herinneren wij eraan dat:

- activering van de contactlijst alleen effect heeft op één vleugel;
- de rode toets STOP alleen effect heeft op één vleugel;
- activering van de thermische beveiliging alleen effect heeft op één vleugel.

10 VERDERE DETAILS EN DIAGNOSTIEK

10.1 - Extra informatie

10.1.1 - Signaleringen bij het inschakelen

Bij het inschakelen van de besturingseenheid DPRO500 is de reactie van de leds L2 OK (groen) en L1 WARNING (rood) van groot belang, zoals beschreven in Tabel 4. In het bijzonder moet u aandacht schenken aan de volgende informatie:

- Is het aanleren van de posities van openen en sluiten correct;
- Is het aanleren van de beveiliging (veiligheidsrand) correct, en wat voor type beveiliging wordt er herkend.

Signaleringen bij inschakelen	TABEL 4 Signalering	
	Led L2 OK GROEN	Led L1 WARNING ROOD
Wit geheugen (geen enkele positie of veiligheid ontvangen)	5 seconden lang snel knipperen	5 seconden lang snel knipperen
Posities correct ontvangen en veiligheid "8k2" herkend	2 seconden lang snel knipperen	Een keer langzaam knipperen
Posities correct ontvangen en veiligheid "OSE" herkend	2 seconden lang snel knipperen	Twee langzame knipperingen

Na de signaleringen van Tabel 4 zal de besturingseenheid DPRO500 eventueel

enkele storingen tonen, d.m.v. de diagnostiek die wordt verkregen door de leds L2 OK en L1 WARNING.

10.1.2 - Andere functies

Lampje voor status en diagnostiek (klem op het toetsenbord)

Het is mogelijk om op de besturingseenheid een lampje van max. 24 V – 5 W aan te sluiten met de klem "lampje" van de knoppenbordkaart die zich aan de binnenkant van het deksel van de doos bevindt (**afb. 15**: klem 1 -, 2 +). Het "lampje" kan op het deksel zelf worden geïnstalleerd, door er een opening in te maken, of buiten de besturingseenheid op een maximale afstand van 2 m ervan.

LET OP! - De uitgang is niet beschermd tegen kortsluiting.

Dit "lampje" werkt op de volgende wijze:

- uitgeschakeld wanneer de veiligheidsketen open staat (ing ALT, rode STOP-knop, thermische beveiliging of ontgrendeling)
- knippert 0.5 s ON, 0.5 s OFF bij correcte werking
- geeft dezelfde diagnostiek - led L1 WARNING rood - bij optreden van "ernstige fouten" (paragraaf 10.2).

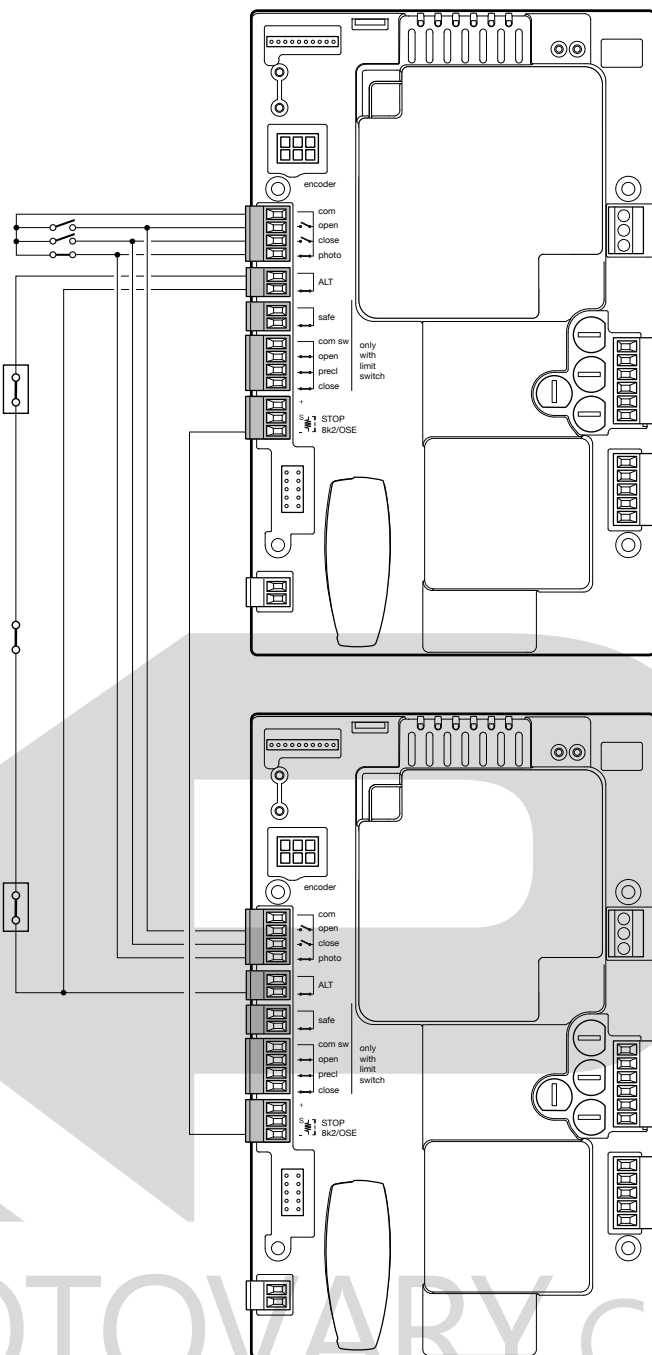
Instellen pauzetijd van de automatische sluiting

- 1 Breng de DIP switch 3 en 4 in stand ON.
- 2 Met een openingsinstructie brengt u het hek in een stand van maximale opening.
- 3 Zodra deze stand is bereikt, wacht u net zo lang als de pauzetijd van de gewenste automatische sluiting en geeft u een sluitingsinstructie. De pauzetijd van de automatische sluiting is nu opgeslagen.

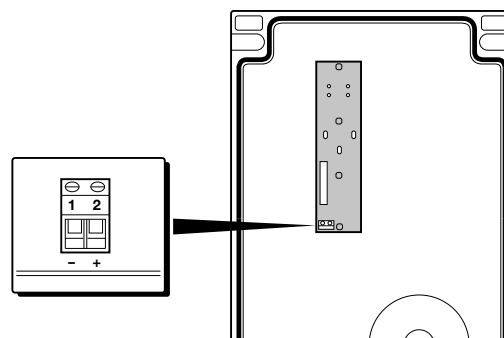
Om de waarde van de pauzetijd te wijzigen brengt u de dip 3 en 4 op OFF en daarna weer op ON. Nu is het noodzakelijk de openingssequentie, de pauzetijd en de sluiting te herhalen.

LET OP! - Als de DIP switch 4 in de OFF stand wordt gezet, wordt de pauzetijd gewist.

20



21



10.2 - Diagnostiek

Enkele inrichtingen zijn ingesteld om signalen uit te zenden aan de hand waarvan de werkingsstatus of eventuele storingen bepaald kunnen worden. In de volgende tabel worden de verschillende signaleringen per type probleem beschreven. De signaleringen vinden plaats aan de hand van de verschillende knipperingen van de leds L2 OK (groen) en L1 WARNING (rood) en van een eventueel knipperlicht, die alle zijn verbonden aan de uitgangen van de besturingseenheid en die speciaal daarvoor zijn geprogrammeerd.

DIAGNOSTIEK LED L2 OK GROEN			
Signalering	Oorzaak	Oplossing	Knipperlicht
2 keer knipperen - korte pauze 2 keer knipperen - lange pauze	Inwerkingtreding van een fotocel	Bij het begin van de beweging geven één of meerdere fotocellen geen toestemming voor de beweging. Controleer of er obstakels aanwezig zijn of dat de fotocellen onderling interfereren met het infrarood. Wanneer de beveiligingen zijn geactiveerd, kan de automatisering met persoon aanwezig worden bediend via draadbesturingen. Het is niet mogelijk om opdrachten te geven via radio.	Knipperen
4 keer knipperen - korte pauze 4 keer knipperen - lange pauze	Inwerkingtreding van de STOP-ingang	Aan het begin van of tijdens de beweging heeft de ingang STOP of HALT ingegrepen; achterhaal de oorzaak. Wanneer de beveiligingen zijn geactiveerd, kan de automatisering met persoon aanwezig worden bediend via draadbesturingen. Het is niet mogelijk om opdrachten te geven via radio.	Knipperen
6 keer knipperen - korte pauze 6 keer knipperen - lange pauze	Manoeuvrebegrenzer	---	Knipperen
9 keer knipperen - korte pauze 9 keer knipperen - lange pauze	Automatisering geblokkeerd	Zend de opdracht "Ontgrendel automatisering" of zend de opdracht manoeuvre met "Stap-voor-stap Hoge prioriteit".	Knipperen
Oplichten van de leds gedurende 3 seconden	Vergrendeling automatisering	---	Knipperen
2 knipperingen per 1 seconde pauze 1,5 seconden	Automatisering gedeblokkeerd	---	Knipperen

DIAGNOSTIEK LED L1 WARNING ROOD			
⚠ Sommige signaleringen kunnen worden uitgewist door de rode STOP-knop in te drukken			
Signalering	Oorzaak	Oplossing	Knipperlicht
5 keer knipperen - korte pauze 5 keer knipperen - lange pauze	Storing EEPROM - Fout in de interne parameters van de besturingseenheid	Schakel de voeding uit en weer aan. Als de fout aanhoudt moet het "Volledig wissen van het geheugen" worden uitgevoerd, zoals beschreven in paragraaf 7.8, en moet de installatie opnieuw worden uitgevoerd. Als er niets verandert, kan er sprake zijn van een ernstig defect en moet de elektronische printplaat worden vervangen.	Knipperen
2 keer knipperen - korte pauze 2 keer knipperen - lange pauze	Storing Test Beveiligingen	Voer nogmaals de aanleerprocedure uit van de beveiligingen die zijn aangesloten op de besturingseenheid (paragraaf 7.9).	---
3 keer knipperen - korte pauze 3 keer knipperen - lange pauze	Storing draairichting encoder of eindaanslag omgekeerd	Keer de draairichting van de encoder om, door de DIP switch 2 op ON te zetten (zie paragraaf 7.10). Als de motor een mechanische eindaanslag heeft, moet de fout worden gereset door op de toets STOP te drukken en de verbinding van de openingseindaanslag worden verwisseld met die van de sluiting op de klem LIMIT SWITCH (afb. 14).	---
4 keer knipperen - korte pauze 4 keer knipperen - lange pauze	Storing veiligheidseindschakelaar	Het hek heeft de veiligheidseindschakelaar overschreden, tijdens het openen of sluiten. Breng het hek handmatig tot ongeveer de helft van de hoogte met het noodbewegingssysteem (zie handleiding motor) en druk op de knop STOP op het deksel om de werking te hervatten. Controleer of het nodig is de posities van Openen/Sluiten te wijzigen die voorheen zijn aangeleerd.	---
6 keer knipperen - korte pauze 6 keer knipperen - lange pauze	Storing contactor	Ontkoppel enkele seconden alle voedingscircuits en probeer dan weer een instructie te sturen. Als er niets verandert, kan er sprake zijn van een ernstig defect aan de printplaat of aan de aansluitingen van de motor. Controleer de circuits en vervang ze indien nodig.	---
7 keer knipperen - korte pauze 7 keer knipperen - lange pauze	Storing communicatie RS485 Encoder	Controleer de juiste aansluiting van de kabel tussen de motor en de besturingseenheid, in het bijzonder die van de encoderkabel (6 gekleurde draden).	---
8 keer knipperen - korte pauze 8 keer knipperen - lange pauze	Storing encoder	Controleer de juiste aansluiting van de kabel tussen de motor en de besturingseenheid, in het bijzonder die van de encoderkabel (6 gekleurde draden). Voer nogmaals de aanleerprocedure uit van de openings- en sluitingsposities.	---
9 keer knipperen - korte pauze 9 keer knipperen - lange pauze	Storing aanleren eindaanslag	Herhaal nogmaals de aanleerprocedure van de openings- en sluitingsposities.	---
10 keer knipperen - korte pauze 10 keer knipperen - lange pauze	Storing time-out manoeuvre	De defaultwaarde van de time-out van de manoeuvre is 60 seconden. Controleer of er geen obstakels zijn die de beweging van het hek verhinderen, en of het hek daadwerkelijk de beweging heeft uitgevoerd. Controleer (met de programmeereenheid Oview, indien beschikbaar) of de duur van de timer is gewijzigd. Voer nogmaals de aanleerprocedure uit van de openings- en sluitposities.	---

N.B. - de diagnostieksignalering met knipperen van de leds wordt onderbroken op het moment dat er een instructie gegeven wordt aan de besturingseenheid.

De diagnostieksignalering met een extern knipperlicht * gaat door met twee knippersequensen (bv. een sequens van "3 keer knipperen - korte pauze - 3 keer knipperen - lange pauze", twee keer herhaald).

BELANGRIJK: om het externe knipperlicht te verbinden moet de aanvullende kaart NDA040 (niet meegeleverd) worden gebruikt.

*** Geconfigureerd met programmeereenheid Oview als "Knipperlicht 1".**

DIAGNOSTIEK LED L1 en L2

Signalering	Oorzaak
Knippert snel afwisselend rood en groen led	Fase bijwerking firmware bezig
4 keer knipperen - pauze - 4 gelijktijdige knipperingen van de leds	Wachten op bijwerken firmware

DIAGNOSTIEK LED SAFETY

Signalering	Oorzaak	Oplossing
Aan	Juiste werking	---
Uit	Veiligheidsketen open	De veiligheidsketen bestaat uit een reeks ingangen (ALT, STOP-knop, thermische beveiliging motor, ontgrendeling motor). Sluit het circuit

11 WAT TE DOEN ALS...

(handleiding voor het oplossen van problemen)

Hieronder volgen de eventuele storingen die zich kunnen voordoen tijdens de installatie of in geval van een defect, en de mogelijke oplossingen:

- **De motor staat stil, er wordt geen instructie voor beweging gegeven en de rode led knippert:** controleer het soort knipperingen aan de hand van de diagnostiektafel led L1 warning (par. 10.2) en druk op de rode STOP-knop om de diagnostiek te wissen.
- **De RF-zender geeft de instructie voor beweging niet en de led op de zender gaat niet branden:** controleer of de batterijen van de zender leeg zijn en vervang ze indien nodig.
- **De RF-zender geeft de instructie voor beweging niet, maar de led op de zender gaat wel branden:** controleer of de zender goed door de RF-ontvanger is opgeslagen. Controleer tevens op de zender of het radiosignaal goed wordt verzonden, door het op de volgende manier te testen: druk op een willekeurige toets van de zender en plaats de led ervan op de antenne van een gewoon, werkend RF-apparaat dat op FM-band op 108,5 Mhz of de dichtstbijzijnde frequentie is afgestemd; dan moet een lichte ruis met krassend getik worden gehoord.
- **Wanneer een instructie wordt verzonden, wordt er geen enkele manoeuvre uitgevoerd en de OK-led knippert niet:** controleer of de besturingseenheid is aangesloten op de netspanning 230/400V. Vergewis u ervan dat de zekeringen niet onderbroken zijn; zo ja, dan dient u de oorzaak van de storing op te sporen en ze met andere met dezelfde kenmerken te vervangen.
- **Als er een instructie wordt gestuurd wordt er geen beweging uitgevoerd en is het knipperlicht uit:** controleer of de instructie wel wordt ontvangen; als de instructie bij de ingang PP aankomt, knippert de led OK twee keer om aan te geven dat de instructie is ontvangen.
- **De beweging start niet en het knipperlicht knippert enkele keren:** tel het aantal keer knipperen en achterhaal de betekenis ervan in de diagnostiektafel in par. 10.2
- **De motor draait omgekeerd:**
 - *voor de driefasemotor* moeten de fasen "V" en "W" van de motor worden omgewisseld
 - *voor de eenfasemotor* moeten de fasen "V" en "W" van de motor worden omgewisseld
- **De beweging start en stopt kort daarna:** bepaal de oorzaak met behulp van de diagnostiek van de leds op de besturingseenheid.
- **De led L1 WARNING rood knippert 9 maal, gevolgd door een pauze:** er heeft een storing plaatsgevonden in de aanleerprocedure van de openings- en sluitingsposities. Het is noodzakelijk het geheugen te wissen (zie 7.9) en het aanleren van de posities te herhalen (zie 7.10).

KOVO POLOTOVARY.cz

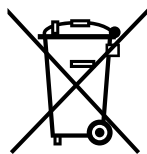
12 AFDANKING VAN HET PRODUCT

Dit product maakt integraal deel uit van de automatisering en moet dan ook samen met de automatisering worden verwerkt.

Zoals ook voor de installatiehandelingen geldt, moeten de handelingen voor afdanking aan het einde van de levensduur van dit product door gekwalificeerd personeel worden uitgevoerd.

Dit product bestaat uit verschillende soorten materialen: sommige kunnen gerecycled worden, andere moeten als afval verwerkt worden. Informeer u over de methoden voor recycling of afdanking die voorzien zijn in de voorschriften die voor deze productcategorie gelden in uw regio.

Let op! – Bepaalde onderdelen van het product kunnen verontreinigende of gevaarlijke stoffen bevatten die bij verspreiding in de omgeving schadelijke gevolgen voor het milieu of de volksgezondheid kunnen hebben.



Zoals door het symbool hiernaast wordt aangegeven, is het verboden dit product met het huishoudelijk afval weg te gooien. Pas dus "gescheiden afvalinzameling" toe, volgens de methodes voorzien in de voor uw regio geldende voorschriften, of lever het product weer in bij de verkoper op het moment dat u een nieuw gelijksoortig product aanschaft.

Let op! – De plaatselijk geldende regelgeving kan zware sancties voorzien in geval van illegale dumping van dit product.

13 TECHNISCHE SPECIFICATIES VAN HET PRODUCT

WAARSCHUWINGEN: • Alle vermelde technische gegevens hebben betrekking op een omgevingstemperatuur van 20°C (± 5°C). • Nice S.p.A. behoudt zich het recht voor om, op elk moment dat dit noodzakelijk wordt geacht, wijzigingen aan het product aan te brengen, waarbij hoe dan ook de gebruiksbestemming en de functionaliteit ervan gelijk blijven.

MODEL	TUB4000
Type	Zelfremmende elektromechanische reductiemotor voor automatische verplaatsing van schuifhekken voor industrieel gebruik, compleet met DPRO500 elektronische besturingseenheid
Rondsel	Z = 18; Module = 6; Steek = 18,8
Maximaal koppel bij de start	216 Nm
Nominaal koppel	65 Nm
Snelheid bij nominaal koppel	0,16 m/s (9,50 m/min)
Gebruikslimieten	In het algemeen is de TUB4000 in staat om hekken met een gewicht van maximaal 4000 kg en een lengte van maximaal 30 m te automatiseren
Voeding	3~ 400 Vac +/-10%; 50 Hz.
Nominaal opgenomen vermogen	580 W
Nominale stroomopname	1,6 A
Isolatieklasse	1 (aarding is noodzakelijk)
Bedrijfstemperatuur	-20 °C ... 55°C
Beschermingsklasse	IP 54
Maten (mm)	580 x 480 x 240
Gewicht	60 kg

▲ We raden u aan deze gebruikshandleiding te bewaren en aan alle gebruikers van de automatisering te overhandigen.

WAARSCHUWINGEN

- Bewaak het bewegende hek en blijf op veilige afstand totdat het hek helemaal geopend of gesloten is. Loop niet langs het hek voor het helemaal geopend of gesloten is.
- Laat kinderen niet in de buurt van het hek of met de bedieningselementen ervan spelen.
- Houd de zenders buiten het bereik van kinderen.
- Stop het gebruik van de automatisering onmiddellijk als u een abnormale werking waarneemt (vreemde geluiden of hortende bewegingen); als deze waarschuwing niet in acht wordt genomen, kan dat ernstige gevaren en kans op ongevallen veroorzaken.
- Raak geen enkel onderdeel aan terwijl het in beweging is.
- Laat periodieke controles uitvoeren in overeenstemming met het onderhoudsplan.
- Onderhoud of reparaties mogen uitsluitend worden uitgevoerd door gekwalificeerd technisch personeel.
- Zond een instructie als de beveiligingen niet functioneren:

Als de beveiligingen niet goed functioneren of buiten gebruik zijn, kan het hek toch worden bediend.

Wanneer de beveiligingen zijn geactiveerd, kan de automatisering met persoon aanwezig worden bediend via draadbesturingen. Het is niet mogelijk om opdrachten te geven via radio.

Wanneer de beveiligingen buiten gebruik zijn, moet de automatisering zo snel mogelijk gerepareerd worden.

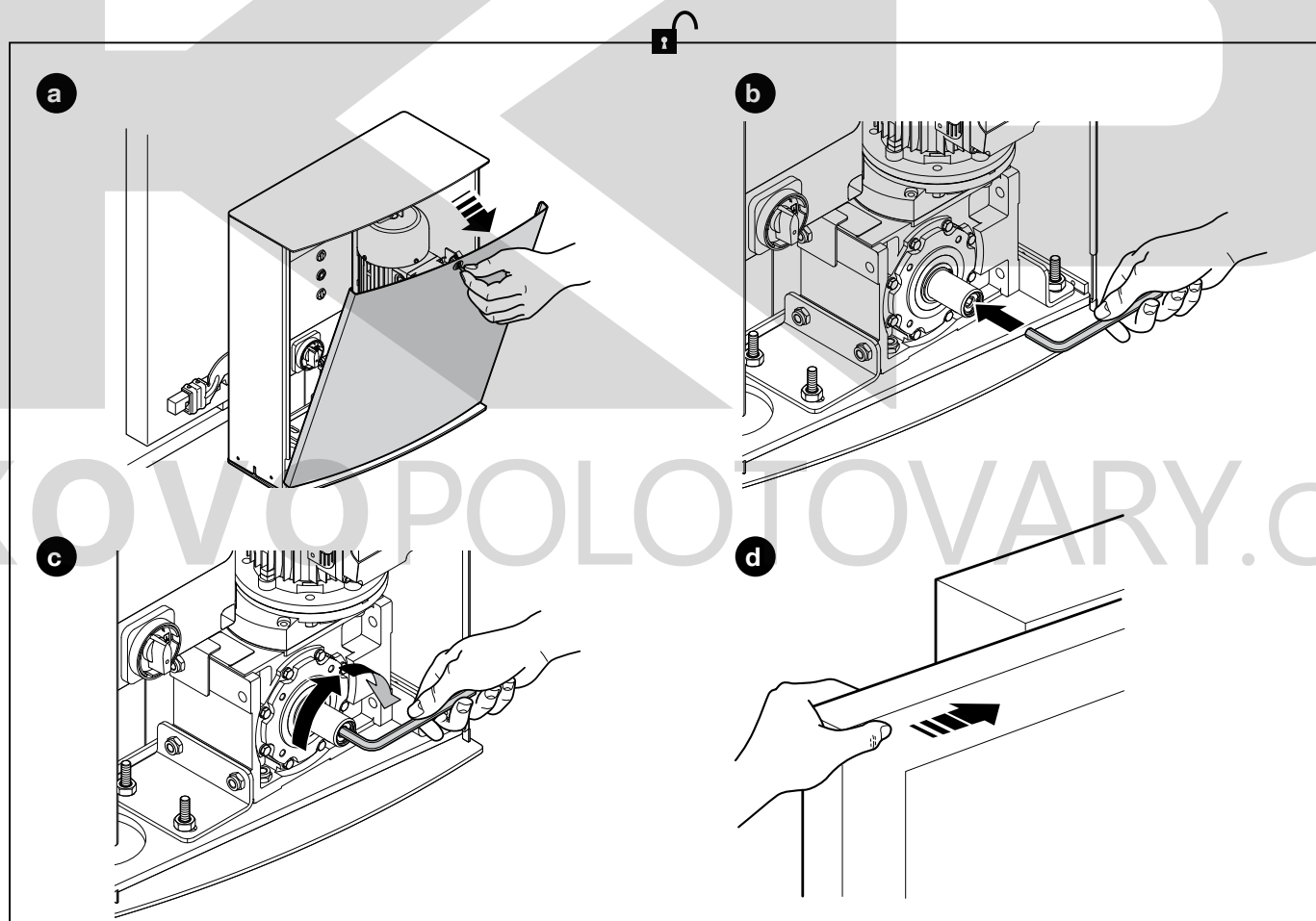
Deblokkering en blokkering van de reductiemotor (handmatig manoeuvre)

De reductiemotor is uitgerust met een mechanisch systeem waarmee het hek handmatig geopend en gesloten kan worden.

De handmatige bediening moet worden gebruikt als er geen stroom is of bij een storing in het systeem.

Bij een defect in de reductiemotor kan echter worden geprobeerd om de deblokkering van de motor te gebruiken, om na te gaan of de storing niet in het deblokkeringsmechanisme zit.

Om de reductiemotor te ontgrendelen moeten de hieronder beschreven werkzaamheden omgekeerd worden uitgevoerd.



Onderhoud dat door de gebruiker mag worden uitgevoerd

Hieronder staat de lijst van werkzaamheden die de gebruiker regelmatig moet uitvoeren:

- **Reiniging van het oppervlak van de apparaten:** gebruik een ietwat vochtige (niet natte) doek. Gebruik geen vloeistoffen waar alcohol, benzeen, oplosmiddelen, of andere ontvlambare substanties in zitten. Het gebruik van zulke vloeistoffen zou de apparaten kunnen beschadigen, en er zou brand of elektrische schokken kunnen ontstaan.
- **Verwijder bladeren en stenen:** koppel het apparaat los van de elektrische voeding voor u hiermee begint, om te voorkomen dat iemand het hek activeert. Als het apparaat over een bufferbatterij beschikt, moet u die ook loskoppelen.

EU-verklaring van overeenstemming (N. 624/TUB4) en inbouwverklaring betreffende "niet voltooide machines"

NB – de inhoud van deze verklaring stemt overeen met hetgeen verklaard is in het officiële document dat gedeponeerd is bij de vestiging van Nice S.p.A., en in het bijzonder met de laatste revisie hiervan die vóór het afdrukken van deze handleiding beschikbaar was. Onderstaande tekst is om redactionele redenen aangepast. Een kopie van de originele verklaring kan worden aangevraagd bij Nice S.p.A. (TV) Italy.

Revisie: 2

Taal: NL

Naam fabrikant: NICE S.p.A.

Adres: Via Pezza Alta 13, 31046 Rustignè di Oderzo (TV) Italy

Gemachtigde voor de samenstelling van de technische documentatie: NICE S.p.A.

Adres: Via Pezza Alta 13, 31046 Rustignè di Oderzo (TV) Italy

Type product: Elektromechanische driefasige reductiemotor 400V

Model/type: TUB4000

Accessoires: RF-ontvangers mod. SMXI, SMXIS en ONEXI, OXI, OXIBD, OXILR, OVIEW
Optische contactlijst TMF, NDA040
Fotocellen ERA-familie S, M, L

Ondergetekende Roberto Griffa verklaart onder eigen verantwoordelijkheid als Chief Executive Officer dat het bovenvermelde product voldoet aan de vereisten van de onderstaande richtlijnen:

- Richtlijn 2014/30/UE (EMC) EN 61000-6-2:2005 - EN 61000-6-3:2007+A1:2011

Bovendien voldoet het product aan de onderstaande richtlijn volgens de voor "niet-voltooide machine" geldende vereisten (Bijlage II, deel 1, rubriek B):

- Richtlijn 2006/42/EG VAN HET EUROPEES PARLEMENT EN DE RAAD van 17 mei 2006 betreffende machines en tot wijziging van Richtlijn 95/16/EG (herschikking).
 - Hierbij wordt verklaard dat het relevante technische dossier is ingevuld volgens de aanwijzingen in bijlage VII B van de richtlijn 2006/42/EG en dat daarbij aan de navolgende essentiële eisen is voldaan: 1.1.1- 1.1.2- 1.1.3- 1.2.1-1.2.6- 1.5.1-1.5.2- 1.5.5- 1.5.6- 1.5.7- 1.5.8- 1.5.10- 1.5.11
 - De fabrikant verplicht zich ertoe om, op grond verzoek van de nationale wetgevende instanties, alle relevante informatie betreffende de "niet voltooide machine" te bezorgen, zonder daarbij aan zijn eigen intellectueel eigendomsrecht afbreuk te doen.
 - Indien de "niet voltooide machine" in gebruik wordt genomen in een land waar officieel een andere taal wordt gesproken dan de taal waarin deze verklaring is opgesteld, is de importeur verplicht de vertaling van de desbetreffende verklaring toe te voegen.
 - Het is niet toegestaan de "niet voltooide machine" in gebruik te nemen voordat de uiteindelijke machine waarin zij zal worden ingebouwd, in overeenstemming wordt verklaard met de bepalingen van de Richtlijn 2006/42/EG, waar toepasselijk.

Bovendien voldoet het product aan de hierna volgende normen: EN 60335-1:2012+A11:2014, EN 62233:2008, EN 60335-2-103:2015

Plaats en datum: Oderzo, 19-12-2017

Ing. **Roberto Griffa**
(Chief Executive Officer)



ПРЕДУПРЕЖДЕНИЯ ОБЩЕГО ХАРАКТЕРА: БЕЗОПАСНОСТЬ - МОНТАЖ - ЭКСПЛУАТАЦИЯ (оригинальное руководство: итальянский язык)

▲ Следующие меры предосторожности предписаны непосредственно стандартами и поэтому применяются к рассматриваемому продукту, насколько это возможно

ВНИМАНИЕ Важные указания по безопасности. Соблюдайте все указания, так как неправильный монтаж может причинить серьезный ущерб

ВНИМАНИЕ Важные указания по безопасности. Соблюдение этих указаний имеет важное значение для обеспечения безопасности людей. Сохраняйте настоящее руководство

- Перед началом монтажа ознакомьтесь с «Техническими характеристиками изделия», в частности, убедитесь, что данное изделие пригодно для автоматизации вашего проезда. В противном случае НЕ выполняйте монтаж
- Запрещается эксплуатация изделия без выполнения ввода в эксплуатацию согласно указаниям, содержащимся в главе «Приемные испытания и ввод в эксплуатацию»

ВНИМАНИЕ! Согласно последним требованиям законодательства Европейского Союза системы автоматики должны удовлетворять предусмотренным гармонизированным положениям действующей Директивы по машинам и оборудованию, позволяющим декларировать их соответствие. Ввиду этого все операции по подключению к сети электропитания, выполнению приемочных испытаний, вводу в эксплуатацию и техобслуживанию данного изделия должны выполняться квалифицированным и компетентным специалистом!

- Перед началом монтажа изделия убедитесь, что весь используемый материал находится в отличном состоянии и пригоден к использованию
- Изделие не предназначено для использования лицами (включая детей) с ограниченными физическими, сенсорными или умственными способностями или лицами, не имеющими опыта или знаний, необходимых для использования изделия
- Не разрешайте детям играть с изделием
- Не разрешайте детям играть с органами управления изделием. Держите пульты дистанционного управления в местах, недоступных для детей

ВНИМАНИЕ С целью предупреждения риска случайной переустановки предохранительного теплового выключателя данный прибор не должен управляться внешними устройствами управления, например, таймером, и не должен подключаться к цепи, на которую регулярно подается питание или которая регулярно обесточивается коммунальными службами

- В цепи питания системы следует установить устройство разъединения (не входит в комплект поставки), при срабатывании которого расстояние между разомкнутыми контактами будет обеспечивать полное отключение в условиях, классифицируемых как III-я категория перенапряжения
- В процессе монтажа обращайтесь с компонентами системы бережно во избежание заземлений, ударов, падений или любых контактов с жидкостями. Не помещайте изделие вблизи источников тепла и не подвергайте его воздействию открытого пламени. Все вышеописанные действия могут привести к выходу изделия из строя или возникновению опасных ситуаций. Если такое произойдет, немедленно прекратите монтаж и обратитесь в отдел технической поддержки компании Nice
- Изготовитель не несет никакой ответственности за ущерб, причиненный имуществу или здоровью людей вследствие несоблюдения указаний по монтажу. В этом случае действие гарантии в отношении дефектов материалов аннулируется
- Средневзвешенный уровень звукового давления A ниже 70 дБ (A)
- Чистка и обслуживание, которые должны выполняться самим пользователем, не должны производиться детьми без присмотра взрослых
- Перед выполнением любых работ с оборудованием (обслуживание, чистка) всегда отключайте изделие от электросети
- Периодически проверяйте состояние оборудования, в частности состояние кабелей, пружин и опор для выявления возможной разбалансировки, и признаков износа или повреждений. Не эксплуатируйте оборудование, если оно нуждается в ремонте или регулировке, т.к. ошибка при монтаже или неверно выполненная балансировка ворот могут привести к травмам
- Упаковочные материалы должны утилизироваться в строгом соответствии с положениями местных нормативов
- Люди должны находиться на достаточном расстоянии от ворот, приводимых в движение при помощи элементов управления
- Во время выполнения маневра проверяйте работу системы автоматики и не допускайте, чтобы рядом находились люди, вплоть до завершения движения
- Не приводите в движение изделие, если в радиусе его действия находятся люди, выполняющие какие-либо работы с системой автоматики; отключите подачу электропитания перед началом выполнения вышеуказанных работ
- В случае повреждения кабеля электропитания его замена должна быть выполнена изготовителем или его сервисным центром или любым специалистом с аналогичной квалификацией во избежание возможных рисков.

МЕРЫ ПРЕДОСТОРОЖНОСТИ ПРИ МОНТАЖЕ

- Перед началом монтажа привода убедитесь, что все механические части находятся в удовлетворительном состоянии, надлежащим образом сбалансированы, а устройство автоматики может быть приведено в движение соответствующим образом
- Если ворота, оснащаемые устройством автоматики, имеют дверцу для пешехода, необходимо установить оборудование со специальной системой управления, которая предотвращает работу двигателя при открытой дверце
- Убедитесь, что элементы управления располагаются на достаточном расстоянии от движущихся частей и при этом обеспечивается их обзор.

За исключением случаев использования переключателя, элементы управления должны устанавливаться на минимальной высоте 1,5 м и должны быть защищены от случайного доступа

Особые требования, обусловленные положениями европейских директив, применимых к изделию

- Директива «Строительные изделия». Особые требования к данному изделию, обусловленные Регламентом 305/2011:
 - Полная установка изделия в соответствии с описанием, приведенным в настоящем руководстве, и для отдельных случаев применения (например, исключая использование только для транспортных средств) может подпадать под действие Регламента 305/2011 и соответствующего гармонизированного стандарта EN 13241-1.
 - Следует применять все критерии установки, необходимые для приведения изделия в соответствие с основными требованиями Регламента 305/2011. Организация, производящая монтаж системы, должна удостовериться в том, что все указанные критерии строго соблюдаются.
 - Соответствие основным требованиям не может быть гарантировано при несоблюдении одного или нескольких вышеуказанных критериев. В этих случаях эксплуатация системы будет запрещена до тех пор, пока организация, проводившая монтаж, не приведет систему в соответствие с требованиями, указанными в директиве. При этом нанесенная на систему этикетка «ES13241-1.4870» должна быть немедленно удалена, а декларация соответствия ЕС в приложении I к данному руководству будет считаться недействительной. Как следствие, организация, выполняющая монтаж, становится изготовителем и должна соблюдать требования Регламента 305/2011 и соответствующего гармонизированного стандарта EN 13241-1. В этом случае изделие считается «частично укомплектованной машиной», и для него может использоваться Декларация соответствия приложения II (как приложение к техническому паспорту).
- Директива по низковольтному оборудованию:

Особые требования, касающиеся пригодности применения данного изделия согласно Директиве по низковольтному оборудованию. Данное изделие отвечает требованиям Директивы по низковольтному оборудованию при использовании в конфигурациях, описанных в настоящем руководстве, и в сочетании с устройствами, приведенными в каталоге продукции компании Nice S.p.A.

Соответствие не может быть гарантировано при использовании изделия в конфигурациях или с устройствами, не указанными в руководстве. В этом случае эксплуатация изделия запрещается до тех пор, пока монтажная организация не докажет соответствия всей установки требованиям вышеуказанной директивы.

- Директива по электромагнитной совместимости:

Особые требования, касающиеся пригодности применения данного изделия согласно Директиве по электромагнитной совместимости.

Данное изделие успешно прошло испытания на электромагнитную совместимость в наиболее критических условиях эксплуатации в конфигурациях, описанных в настоящем руководстве, и в сочетании с устройствами, приведенными в каталоге продукции компании Nice S.p.A.

Электромагнитная совместимость не может быть гарантирована при использовании изделия в конфигурациях или с устройствами, не указанными в руководстве. В этом случае эксплуатация изделия запрещается до тех пор, пока монтажная организация не докажет соответствия всей установки требованиям вышеуказанной директивы.

Критерии установки и особые требования, обусловленные базовыми положениями

- Настоящее изделие при правильной установке отвечает основным требованиям Регламента 305/2011 в соответствии со всеми положениями гармонизированного стандарта EN 13241-1, как указано в табл. 1, и Директивой по машинам и механизмам 2006/42/ЕС.
- Выделение вредных веществ:
Изделие не содержит и/или не выделяет опасных веществ в соответствии с положениями п. 4.2.9 стандарта EN 13241-1 и перечнем опасных веществ, приведенным на сайте нормативных документов Европейского Союза.
Особые указания для обеспечения соответствия требованиям – крайне важно, чтобы и другие материалы, используемые в установке, например электрические кабели, отвечали упомянутым требованиям.
- Надежное открытие ворот с горизонтальным ходом: изделие не вызывает неконтролируемых движений.
Особые указания для обеспечения соответствия требованиям:
 - Монтаж изделия должен проводиться в строгом соответствии с указаниями, приведенными в главах «2. Монтаж» и «4. Приемочные испытания и ввод в эксплуатацию».
 - Следует убедиться в составлении плана техобслуживания на основе строгого соблюдения всех требований, предусмотренных в главе «План техобслуживания».
- Риск раздавливания или травмирования раздвижными воротами может быть устранен или минимизирован согласно одной из трех методик:
 - 1 - Для функционирования с помощью «устройства управления без функции самоудерживания» (в присутствии человека): как указано в п. 5.1.1.4 стандарта EN 12453. В данном случае кнопка управления должна устанавливаться в зоне видимости с места расположения блока управления, а при доступности посторонним лицам она должна иметь защиту от несанкционированного использования, например переключатель с ключом.
 - 2 - Для функционирования в «полуавтоматическом» режиме: посредством использования активной чувствительной кромки для ограничения усилия, как указано в п. 5.1.1.5 и п. 5.1.3 EN 12453.
 - 3 - Для функционирования в «автоматическом» режиме: посредством использования активной чувствительной кромки для ограничения усилия, как указано в п. 5.1.1.5 и п. 5.1.3 EN 12453. В этом случае следует обязательно установить хотя бы пару фотоэлементов, как показано на рис. 2.

Содержание

ПРЕДУПРЕЖДЕНИЯ ОБЩЕГО ХАРАКТЕРА: МЕРЫ БЕЗОПАСНОСТИ - МОНТАЖ - ЭКСПЛУАТАЦИЯ 1

1 - ОПИСАНИЕ И НАЗНАЧЕНИЕ ИЗДЕЛИЯ..... 3

2 - МОНТАЖ 3

2.1 - Предварительные проверки перед установкой..... 3

2.2 - Условия эксплуатации 3

2.3 - Типичная система 4

2.4 - Крепление мотор-редуктора 4

2.5 - Установка различных устройств на блоке управления 4

3 - ЭЛЕКТРИЧЕСКИЕ СОЕДИНЕНИЯ..... 5

4 - ИСПЫТАНИЕ И ВВОД В ЭКСПЛУАТАЦИЮ..... 7

4.1 - Испытание..... 7

5 - ВСТРОЕННЫЙ БЛОК УПРАВЛЕНИЯ DPRO500..... 8

5.1 - Описание и назначение изделия 8

6 - МОНТАЖ..... 8

6.1 - Предварительные проверки перед установкой 8

6.2 - Условия эксплуатации 8

6.3 - Установка блока управления..... 8

7 - ЭЛЕКТРИЧЕСКИЕ СОЕДИНЕНИЯ..... 9

7.1 - Подключение к трехфазной электрической сети 9

7.2 - Подключение к однофазной электрической сети 9

7.3 - Изменение питания посредством перемычки 9

7.4 - Описание электрических подключений: питание, устройства безопасности, управления и вспомогательные устройства 10

7.5 - Электрические подключения блока управления 11

7.6 - Вход STOP SAFETY EDGE 12

7.7 - Подсоединение радиоприемника..... 12

7.8 - Первое включение и проверка соединений 12

7.9 - Полная очистка памяти блока управления..... 12

7.10 - Запоминание подключенных устройств и положений открытия и закрытия 13

7.10.1 - Запоминание положений открытия и закрытия с механическим концевым датчиком..... 13

7.11 - Режим функционирования 14

7.12 - Программирующее устройство Oview 14

8 - ИСПЫТАНИЕ И ВВОД В ЭКСПЛУАТАЦИЮ..... 14

8.1 - Испытание..... 14

8.2 - Ввод в эксплуатацию 14

9 - УСТАНОВКА И ЭЛЕКТРИЧЕСКОЕ ПОДКЛЮЧЕНИЕ ДВУХ БЛОКОВ УПРАВЛЕНИЯ ДЛЯ ФУНКЦИОНИРОВАНИЯ С ПРОТИВОПОЛОЖНЫМИ СТВОРКАМИ 15

10 - ПОДРОБНАЯ ИНФОРМАЦИЯ И ДИАГНОСТИКА 15

10.1 - Дополнительная информация..... 15

10.1.1 - Сигналы при включении 15

10.1.2 - Другие функции 15

10.2 - Диагностика..... 16

11 - ЧТО ДЕЛАТЬ, ЕСЛИ..... 17

12 - УТИЛИЗАЦИЯ ИЗДЕЛИЯ 18

13 - ТЕХНИЧЕСКИЕ ХАРАКТЕРИСТИКИ ИЗДЕЛИЯ 18

РУКОВОДСТВО ПО ЭКСПЛУАТАЦИИ (отдельная вкладка)..... 19

ДЕКЛАРАЦИЯ СООТВЕТСТВИЯ ЕС..... 20

▲ ВАЖНО!

Перед выполнением любой операции или процедуры внимательно прочитайте общие указания (стр. 1) и границы применения (пар. 2.2)

1 ОПИСАНИЕ И НАЗНАЧЕНИЕ ИЗДЕЛИЯ

TUB4000 - это мотор-редуктор для раздвижных ворот больших размеров для промышленного применения, со встроенным блоком управления DPRO500, готовым к установке приемников NICE.

Он работает от электросети, в случае отключения электропитания можно разблокировать мотор-редуктор специальным ключом и сдвинуть/раздвинуть ворота вручную.

ВНИМАНИЕ! – Любое использование, отличное от вышеуказанного, и в условиях, отличных от приведенных в настоящем руководстве, считается ненадлежащим и строго воспрещается!

2 МОНТАЖ

▲ Монтаж TUB4000 должен выполняться квалифицированным персоналом в соответствии с действующим законодательством, стандартами и постановлениями, а также положениями настоящего руководства.

2.1 - Предварительные проверки перед установкой

Перед установкой блока управления необходимо проверить целостность всех его компонентов, удостовериться в правильности выбора модели и соответствии окружающих условий указанным в руководстве:

- Убедитесь в пригодности и хорошем состоянии всех используемых материалов.
- Убедитесь в том, что условия эксплуатации отвечают указанным рабочим условиям блока (см. пар. 2.2) и пороговым значениям, указанным в разделе «Технические характеристики».
- Убедитесь в том, что в месте установки блока имеется достаточно свободное место для него (габаритные размеры блока указаны на рис. 1).
- Убедитесь в том, что поверхность, выбранная для крепления блока, прочная и способна обеспечить его надежное крепление.
- Убедитесь в том, что место установки блока защищено от затопления водой. В противном случае поднимите блок управления выше и обеспечьте к нему надлежащий доступ.
- Убедитесь в том, что вокруг имеется достаточно свободного места для доступа и технического обслуживания блока.
- Убедитесь в том, что все используемые электрические кабели соответствуют указанным в таблице 2.
- Убедитесь в том, что роллеты/ворота оснащены механическими упорами в позициях «полностью закрыто» и «полностью открыто».

2.2 - Условия эксплуатации

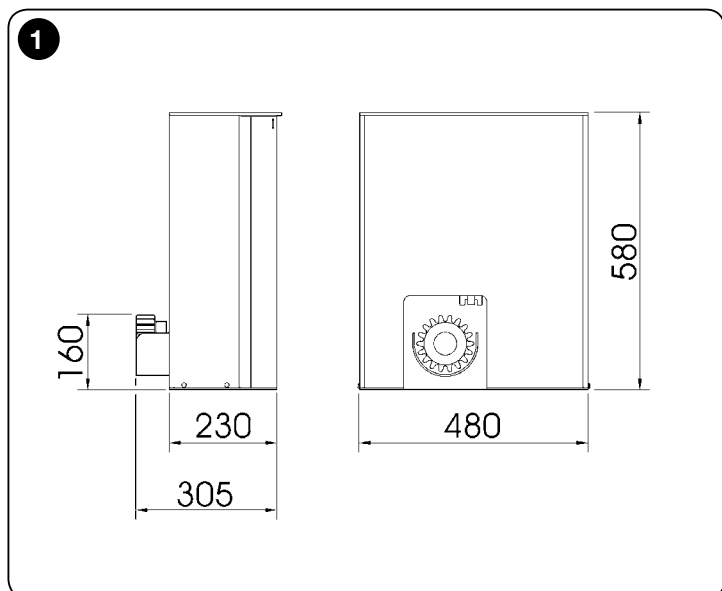
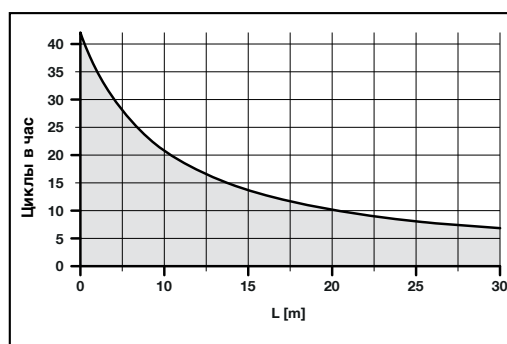
Данные относительно эксплуатационных характеристик TUB4000 приводятся в главе 13 «Технические характеристики» и являются единственными значениями, при помощи которых можно установить пригодность к применению.

В целом TUB4000 подходит для автоматизации ворот весом до 4000 кг и длиной до 30 м, как указано в Таблице 1.

ТАБЛИЦА 1

Длина створки в метрах	Максимальное число циклов/час
До 5	42
5÷10	21
10÷15	14
15÷20	10
20÷25	8
25÷30	7

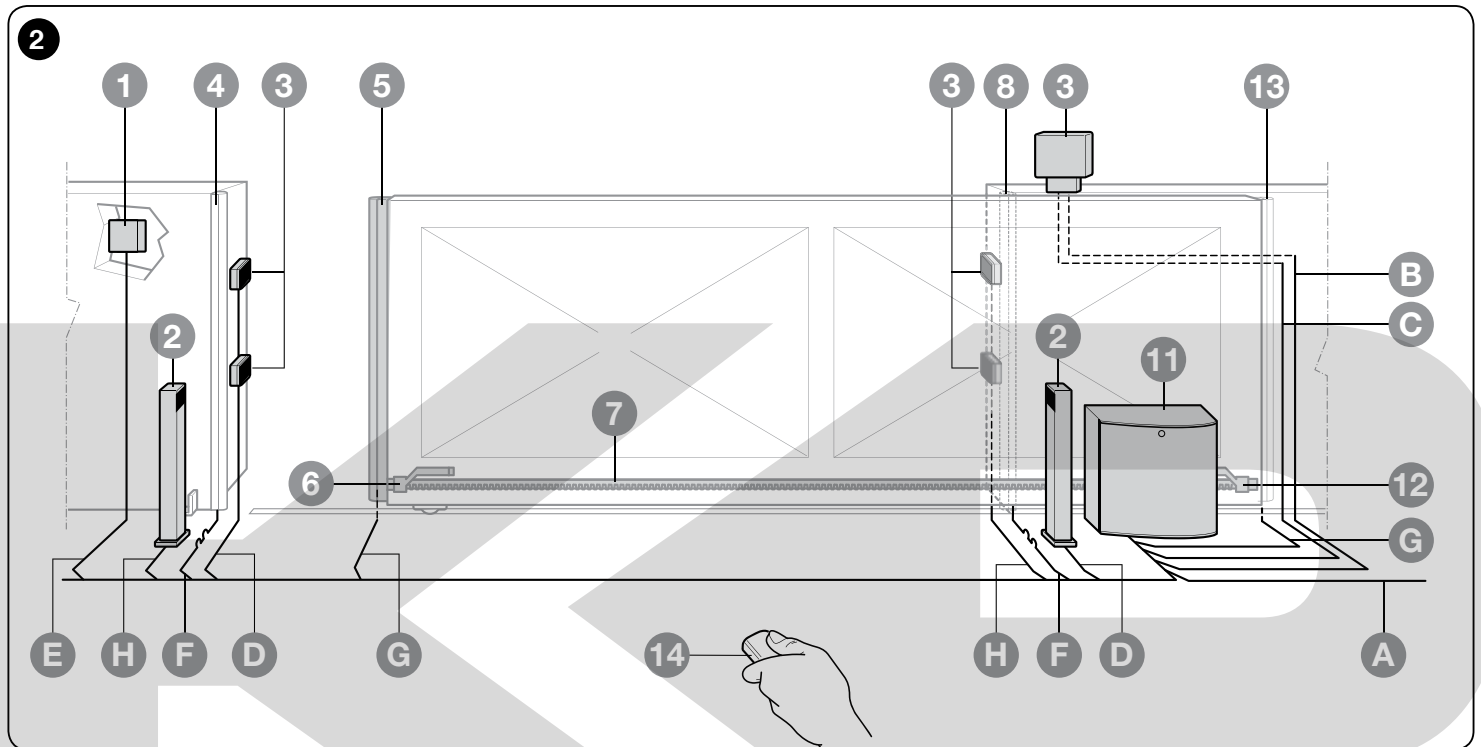
Графическое представление циклов в час в зависимости от длины створки ворот.



2.3 - Типичная система

На рис. 2 показана типичная автоматизированная система раздвижных ворот с использованием TUB4000.

- 1 Переключатель с ключом
- 2 Фотоэлементы на стойке
- 3 Фотоэлементы ФОТО
- 4 Основная фиксированная кромка (опция)
- 5 Основная передвижная кромка
- 6 Кронштейн концевого выключателя «Открыто»
- 7 Зубчатая рейка
- 8 Вспомогательная фиксированная кромка (опция)
- 9 Мигающее устройство
- 10 Антенна
- 11 Двигатель
- 12 Кронштейн концевого выключателя «Закрыто»
- 13 Вспомогательная передвижная кромка (опция)
- 14 Радиопередатчик



2.4 - Закрепление мотор-редуктора

Если имеется опорная поверхность, электропривод должен быть закреплен непосредственно на ней с использованием подходящих средств, например расширяющихся анкерных болтов.

В противном случае, для установки электропривода необходимо выполнить следующее:

01. Выройте углубление под фундамент подходящих размеров.
02. Подготовьте одну или несколько труб для проводки электрических кабелей, как показано на рис. 5.
03. Соберите 4 закладные детали на фундаментной плите, прикрутив одну гайку под плитой, а другую - над ней, как показано на рис. 3, так чтобы ее резьбовая часть выступала как можно больше над плитой.
04. Залейте бетон и, прежде чем он начнет затвердевать, установите фундаментную плиту; проверьте, чтобы она была параллельна створке и выставлена точно по уровню, как показано на рис. 5. Дождитесь, пока бетон полностью затвердеет.
05. Снимите корпус на мотор-редукторе, выполняя операцию обратную той, которая показана на рис. 7.
06. Поставьте на фундаментную плиту мотор-редуктор и расположите его точно параллельно створке, затем хорошо прикрепите его к 4 закладным деталям с помощью 4 гаек и соответствующих шайб, идущих в комплекте, как показано на рис. 6.
07. Разблокируйте шестерню, как показано в параграфе «Разблокировка и ручное перемещение» главы «Инструкции и предупреждения для пользователя мотор-редуктора TUB4000»
08. Полностью откройте створку и разместите часть рейки на шестерне. Проверьте, чтобы начало рейки соответствовало началу створки. Проверьте, чтобы между шестерней и зубчатой рейкой был зазор 2÷3 мм, затем прикрепите рейку к створке при помощи соответствующих приспособлений.
09. Передвигайте створку и используйте всегда шестерню как контрольную точку для закрепления других элементов зубчатой рейки.
10. Отрежьте с конца лишнюю часть рейки.
11. Попробуйте открыть и закрыть ворота несколько раз и удостоверьтесь, что зубчатая рейка движется отцентрованная по шестерне с максимальным допуском 10-15 мм и что по всей длине соблюден зазор 2-3 мм между шестерней и зубчатой рейкой.
12. Закрепите с помощью соответствующих установочных штифтов

кронштейны конечных выключателей открытия и закрытия по наружным краям зубчатой рейки, как показано на рис. 4. При этом необходимо учитывать, что после срабатывания концевого выключателя створка перемещается еще на 2-3 см. Кронштейн должен быть расположен на достаточном расстоянии от механических упоров.

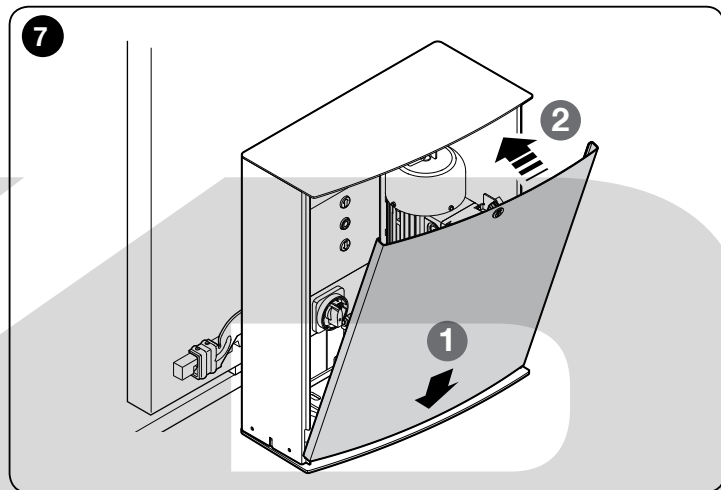
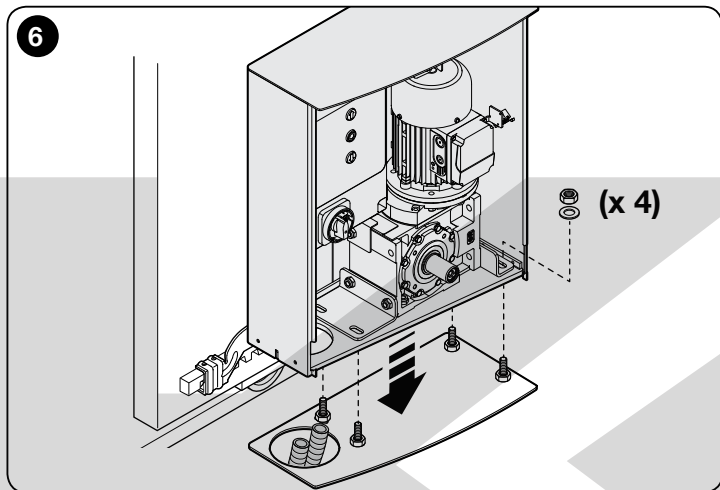
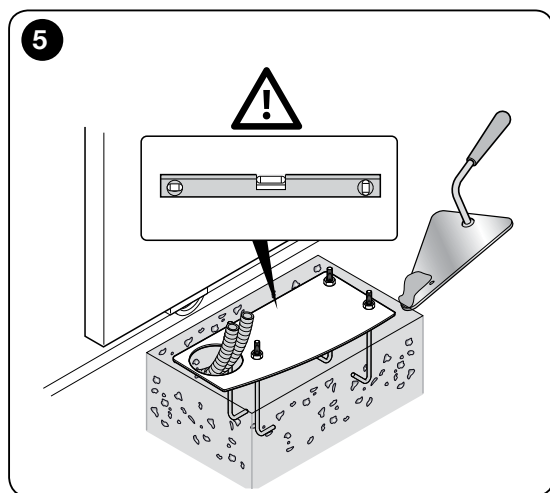
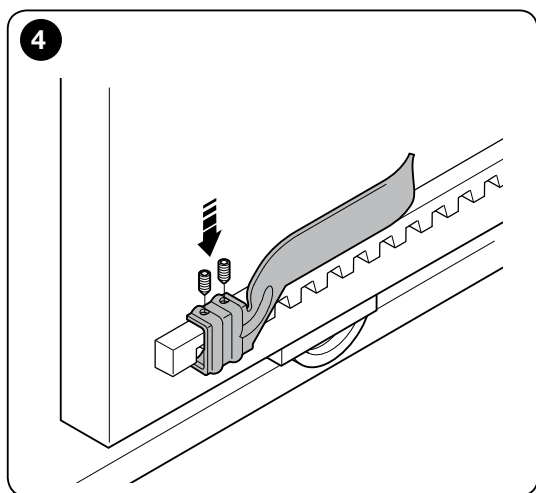
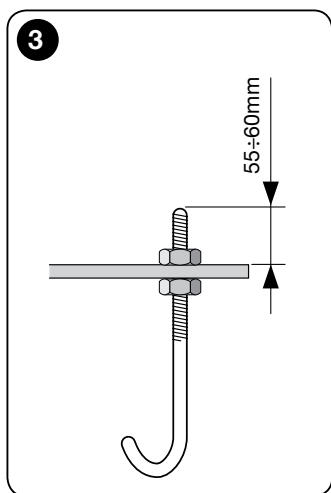
13. Выполните операцию обратную той, которая была выполнена в п. 07, и заблокируйте шестерню.
14. Закрепите корпус на TUB4000, как показано на рис. 7, и убедитесь, что рычажок концевого выключателя, расположенный над шестерней, свободно движется.
15. Закройте дверцу мотор-редуктора и убедитесь, что приведен в действие защитный микровыключатель, расположенный справа от электродвигателя.

▲ Во избежание воздействия веса створки на мотор-редуктор важно, чтобы между зубчатой рейкой и шестерней оставался зазор 2÷3 мм.

2.5 - Установка различных устройств на блоке управления

Установите все предусмотренные внешние устройства, следуя соответствующим инструкциям. Проверьте по гл. 7 (DPRO500) устройства, которые могут быть подключены к TUB4000.

ВНИМАНИЕ! – Все электрические подключения должны осуществляться при отсутствии напряжения в системе опытным и квалифицированным персоналом, обладающим необходимыми допусками и при полном соблюдении действующего законодательства, норм и регламентов.



3 ЭЛЕКТРИЧЕСКИЕ СОЕДИНЕНИЯ

В типичной установке, проиллюстрированной на рис. 3, показаны также кабели, необходимые для подключения различных устройств; в таблице 2 приводятся характеристики кабелей.

Используемые кабели должны соответствовать типу установки; например, рекомендуется кабель типа H05VV-F для прокладки во внутренних помещениях или H07RN-F - для наружной установки.

Таблица 2 - Технические характеристики электрических кабелей (рис. 2)

Подсоединение	Тип кабеля	Максимально допустимая длина
A: Линия электропитания	1 кабель сечением 4 x 1,5 мм ²	30 м (прим. 1)
B: Мигающее устройство	1 кабель сечением 2 x 1 мм ²	20 м (прим. 7)
C: Антенна	1 экранированный кабель типа RG58	(рекомендуется длина менее 5 м)
D: Фотоэлементы передатчика	1 кабель сечением 2 x 0,25 мм ²	30 м (прим. 3)
E: Переключатель с ключом	2 кабеля сечением 2 x 0,25 мм ²	50 м (прим. 2)
F: Фиксированные кромки	1 кабель сечением 2 x 0,5 мм ²	30 м (прим. 4-6)
G: Передвижные кромки	1 кабель сечением 2 x 0,5 мм ²	30 м (прим. 4-5-6)
H: Фотоэлементы приемника	2 кабеля сечением 2 x 0,25 мм ²	30 м (прим. 2-3)

Прим. 1. Если кабель электропитания длиннее 30 м, он должен быть с большим сечением, например 4 x 2,5 мм², кроме того, требуется предохранительное заземление вблизи системы автоматки.

Прим. 2. Два кабеля 2 x 0,25 мм² могут быть заменены одним кабелем 4 x 0,25 мм².

Прим. 3. Пользуйтесь экранированными проводами, если длина превышает 30 м, заземляя провод в оплетке только со стороны блока управления.

Прим. 4. В особых случаях применения может потребоваться использование нескольких чувствительных кромок. При наличии более чем одной кромки см. руководство для рекомендованного типа соединения.

Прим. 5. Для соединения передвижных створок на раздвижных створках необходимо использовать специальные устройства, которые дают возможность соединения также с движущейся створкой.

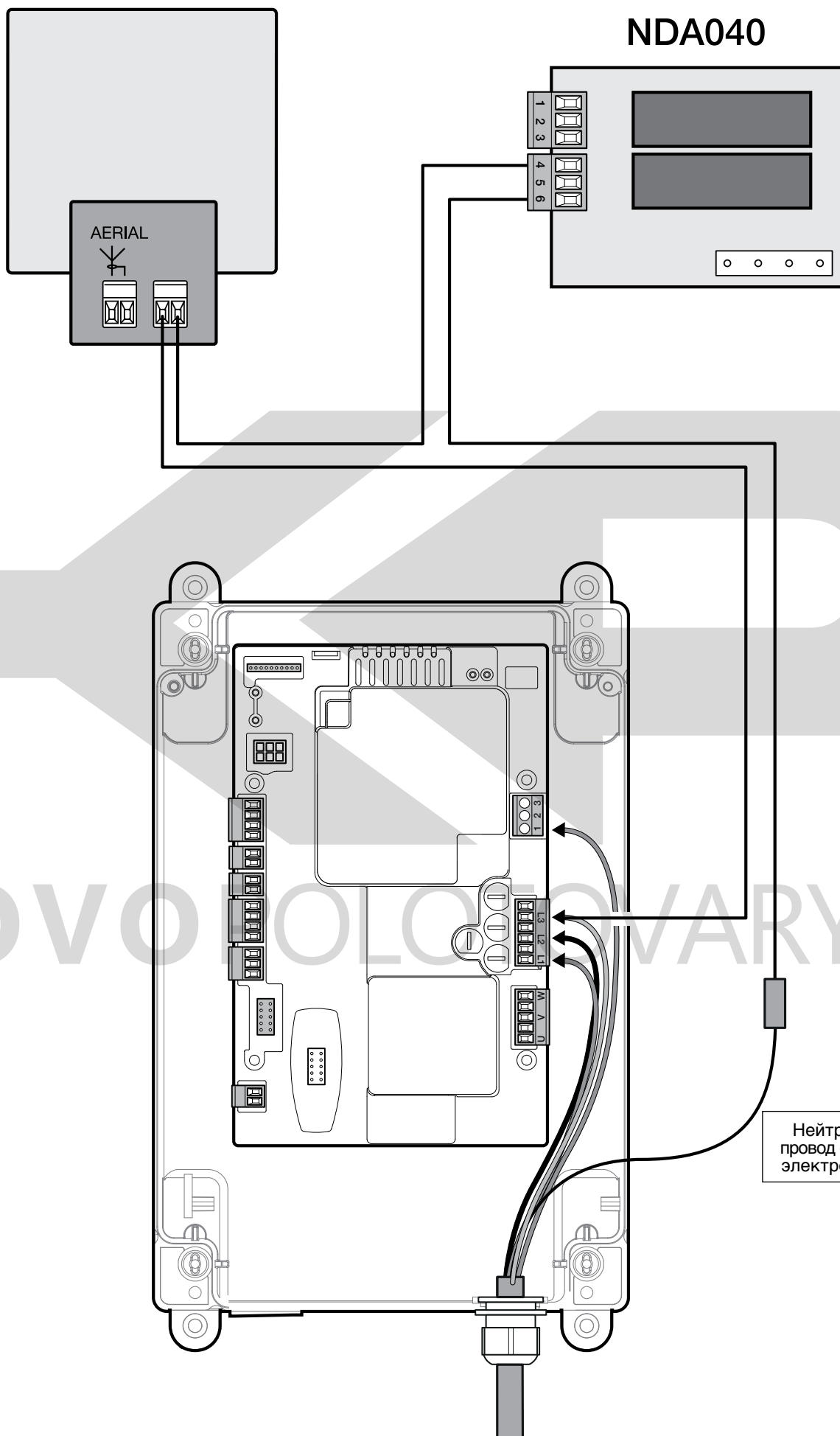
Прим. 6. Число проводов, необходимых для подключения передвижных или фиксированных кромок, зависит от техники, используемой для гарантирования требуемой категории безопасности. Этот пример относится к кромкам TCB65, подключенным к интерфейсам TCE.

Прим. 7. Можно подключить мигающее устройство к сети 230 В перем. тока. В отношении подключения см. рис. А.

ВНИМАНИЕ! – Используемые кабели должны быть пригодны для условий в месте установки.

После выполнения электрических подключений см. гл. 7 (DPRO500), где объясняются процедуры первого включения, распознавания устройств безопасности и концевых выключателей.

A



RU

4 ИСПЫТАНИЕ И ВВОД В ЭКСПЛУАТАЦИЮ

Этапы испытания и ввода в эксплуатацию являются наиболее важными для обеспечения безопасности системы автоматизации. Испытания также могут использоваться для периодической проверки работоспособности устройств, входящих в систему автоматики.

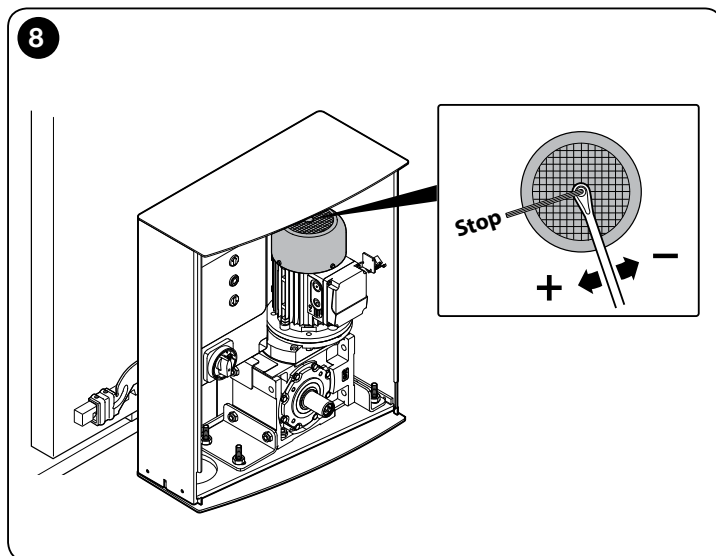
Они должны выполняться квалифицированным персоналом, который обязан подобрать тесты, необходимые для оценки принятых решений с точки зрения имеющихся рисков, и убедиться в их соответствии законам, нормативам и регламентам, в частности всем требованиям директивы EN 12445, которая определяет методы испытания для систем автоматизации ворот и дверей. Дополнительные устройства должны подвергаться испытаниям как в отношении их работоспособности, так и в отношении их правильной интеграции в систему управления, в соответствии с указаниями в их руководствах по эксплуатации.

4.1 - Испытание

Последовательность операций для проведения испытаний описана далее и относится к типичной системе (рис. 2):

- 1 Проверьте, соблюдены ли условия, указанные в разделе «Указания по монтажу».
- 2 Используя органы управления (передатчик, кнопка управления, запираемый на ключ переключатель и т. д.), произведите проверку открытия, закрытия и останова ворот, убедитесь в том, что движение створок соответствует тому, что предусмотрено. Произведите различные испытания для оценки хода ворот, удостоверьтесь в отсутствии дефектов монтажа и наладки, а также каких-либо необычных точек трения.
- 3 Проверьте последовательно правильную работу всех имеющихся в системе устройств безопасности (фотоэлементы, чувствительные кромки и т. д.).
- 4 Если для минимизации риска возникновения опасных ситуаций, связанных с перемещением секций, принято ограничение усилия при перемещении, следует произвести измерения усилий, как описано в стандарте EN 12445.
- 5 Проверьте, чтобы пространство останова створки было 2-3 см, в противном случае отрегулируйте механический тормоз следующим образом (рис. 8):
 - а) поверните по часовой стрелке и примерно на пол-оборота гайку, имеющуюся на вале двигателя;
 - б) если пол-оборота недостаточно, закрутите гайку еще немного;
 - в) будьте осторожны, чтобы не закрутить гайку слишком сильно, потому что это может полностью заблокировать электродвигатель.

▲ Перед регулировкой механического тормоза необходимо выключить электропитание, переключив в режим «OFF» главный выключатель, присутствующий в блоке управления.



5 ВСТРОЕННЫЙ БЛОК УПРАВЛЕНИЯ DPRO500



▲ ВАЖНО!
Перед выполнением любой операции или процедуры внимательно прочитайте общие указания (стр. 1) и границы применения (пар. 6.2)

5.1 - Описание и назначение изделия

Блок DPRO500 предназначен для управления электромеханическими исполнительными механизмами для автоматизации ворот, секционных дверей или жалюзи.

ВНИМАНИЕ! – Любое использование, отличное от вышеуказанного, и в условиях, отличных от приведенных в настоящем руководстве, считается ненадлежащим и строго воспрещается!

Блок управления может быть подключен ко всем стандартным устройствам защиты. Для открытия или закрытия ворот достаточно нажать специальную кнопку на крышке, наружную кнопку или кнопку на пульте дистанционного управления.

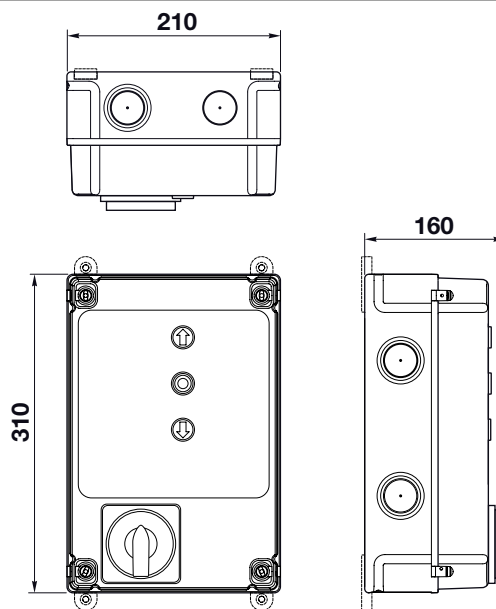
6 МОНТАЖ

6.1 - Предварительные проверки перед установкой

Перед установкой блока управления необходимо проверить целостность всех его компонентов, удостовериться в правильности выбора модели и соответствии окружающих условий указанным в руководстве:

- Убедитесь в пригодности и хорошем состоянии всех используемых материалов.
- Убедитесь в том, что условия эксплуатации отвечают указанным рабочим условиям блока (см. пар. 6.2) и пороговым значениям, указанным в разделе «Технические характеристики».
- Убедитесь в том, что в месте установки блока имеется достаточно свободного места для него (габаритные размеры блока указаны на рис. 9).
- Убедитесь в том, что поверхность, выбранная для крепления блока, прочная и способна обеспечить его надежное крепление.
- Убедитесь в том, что место установки блока защищено от затопления водой. В противном случае поднимите блок управления выше и обеспечьте к нему надлежащий доступ.
- Убедитесь в том, что вокруг имеется достаточно свободного места для доступа и технического обслуживания блока.
- Убедитесь в том, что все используемые электрические кабели соответствуют указанным в таблице 1.
- Убедитесь в том, что роллеты/ворота оснащены механическими упорами в позициях «полностью закрыто» и «полностью открыто».

9



6.2 - Условия эксплуатации

Блоки управления должны эксплуатироваться только в условиях, представленных в таблице ниже:

Электропитание	Тип двигателя*
Трехфазный 3 x 400 В переменного тока - 50/60 Гц	Трехфазный 3 x 400 В переменного тока - 50/60 Гц с энкодером Nice или механическими концевыми датчиками
Однофазный 1 x 230 В переменного тока - 50/60 Гц	Однофазный 1 x 230 В переменного тока - 50/60 Гц с энкодером Nice или механическими концевыми датчиками

(* При соблюдении соответствующих условий эксплуатации.

Для однофазных двигателей см. пар. 7.2.

▲ ВНИМАНИЕ! – Блок управления, описанный в данном руководстве, не может эксплуатироваться во взрыво- и пожароопасных зонах.

Внимание! Перед монтажом подготовьте электрические кабели, необходимые для вашей системы согласно Таблице 1 - «Технические характеристики электрических кабелей».

▲ Внимание! – При монтаже кабельных каналов/труб для прокладки кабеля и заводке кабеля в блок управления помните о том, что на металлических трубах может образовываться конденсат, который при проникновении в блок управления может вывести из строя электронику.

6.3 - Установка блока управления

Монтаж блока управления производится следующим образом:

01. Откройте короб блока управления: открутите винты, как показано на рис. 10-A / рис. 10-B.
02. Сделайте отверстие для заводки электрических кабелей органов управления и сигнализации. Для этого, а также для обеспечения требуемой степени защиты (IP) рекомендуется использовать

Таблица 1 - Технические характеристики электрических кабелей

Подсоединение	Тип кабеля	Максимально допустимая длина
Кабель ПИТАНИЯ БЛОКА УПРАВЛЕНИЯ - трехфазный - однофазный	4 x 1 мм ² 3 x 0,75 мм ²	5 м (прим. 1) 2 м (прим. 1)
Кабель ДВИГАТЕЛЯ	Для мотор-редукторов Nice кабели продаются как дополнительные приспособления. При использовании других мотор-редукторов уточняйте у изготовителей или поставщиков.	5-7-11 м
Кабель МИГАЮЩЕГО УСТРОЙСТВА с антенной	2 x 1 мм ² (для мигающего устройства 230 В переменного тока) экранированный кабель типа RG58 (для антенны)	10 м
Кабель ФОТОЭЛЕМЕНТОВ	4 x 0,5 мм ²	10 м
Кабель запираемого на ключ ПЕРЕКЛЮЧАТЕЛЯ	2 кабеля 2 x 0,25 мм ²	10 м (прим. 2)
Кабель СПИРАЛЬНЫЙ для чувствительной кромки	Спиральный кабель Nice доступен для заказа как дополнительная принадлежность.	50 м

Примечание 1. Если длина кабеля питания превышает максимально допустимые величины длины, следует использовать кабель с большим сечением.

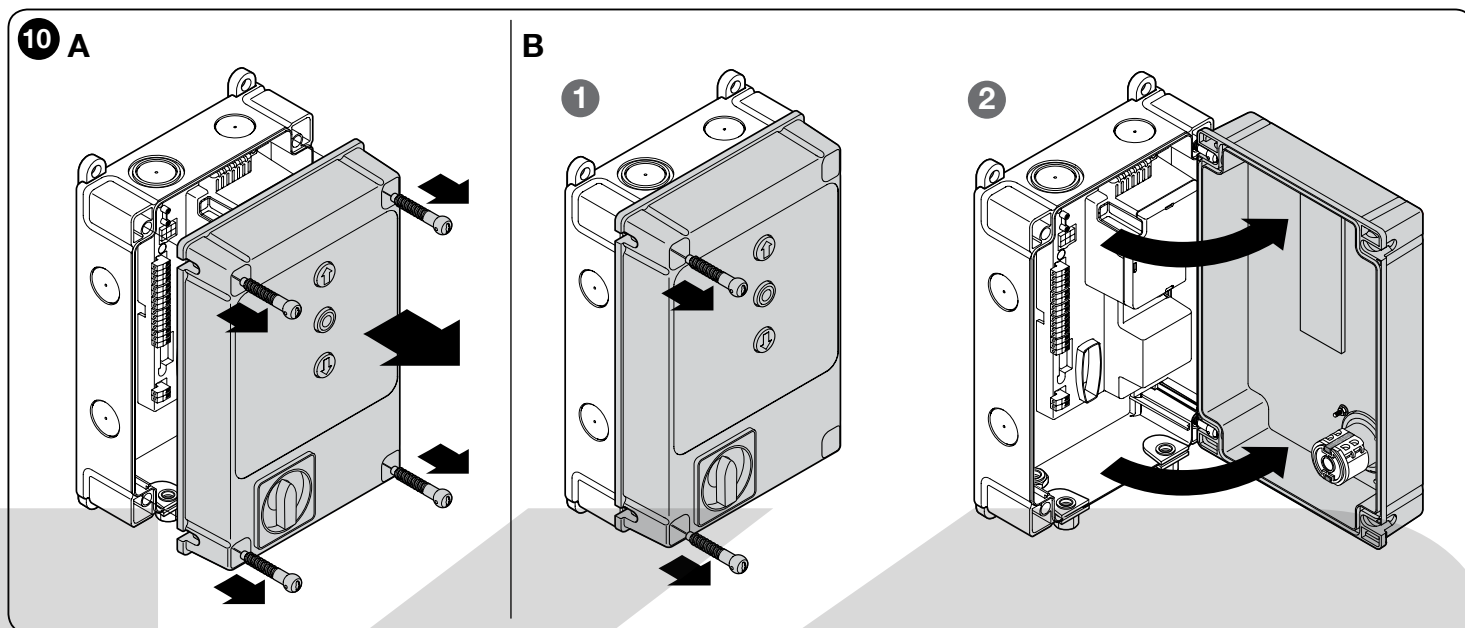
Примечание 2. Эти 2 кабеля могут быть заменены одним 4 x 0,5 мм².

ВНИМАНИЕ! – Используемые кабели должны быть пригодны для условий в месте установки.

специальный инструмент (например, коническое сверло) и предназначенные для этого на нижней стенке короба места. При необходимости можно использовать боковые вводы для кабеля, но только с соответствующими кабельными фитингами.

03. Теперь можно выполнить электрические подключения: см. главу 7.

Процедуры монтажа остальных устройств, входящих в систему автоматизации роллет/ворот, описаны в соответствующих руководствах или инструкциях.



7 ЭЛЕКТРИЧЕСКИЕ СОЕДИНЕНИЯ

ВНИМАНИЕ!

- Все электрические подключения должны осуществляться только при отключенном напряжении.
- Все операции подключения должны выполняться только квалифицированным персоналом.
- На линии питания необходимо установить устройство для полного отключения всей автоматики от электрической сети. В соответствии с действующими нормами данное устройство должно иметь в контакте зазор, обеспечивающий полное отсоединение нагрузки от сети в условиях, классифицируемых как III категория перенапряжения. Данное устройство в случае необходимости должно обеспечивать быстрое и надежное отключение системы от питающей электрической сети. Поэтому его следует размещать в пределах видимости с месторасположения блока управления. Если же оно установлено в месте, невидимом с месторасположения блока управления, оно должно быть оснащено блокировочным устройством для предотвращения несанкционированного включения. Данное устройство не входит в комплект поставки.
- **Выбор питающего напряжения:**
Блок управления может функционировать правильным образом при трехфазном или однофазном питании (см. схемы подключения) с напряжением 400 В или 230 В.
Стандартная настройка предусматривает трехфазное напряжение питания 400 В.
Чтобы выбрать однофазное питание 230 В, следуйте инструкции в гл. 7.2

7.1 - Подключение к трехфазной электрической сети

При выполнении подключения руководствуйтесь **рис. 11**. К клеммам L1, L2, L3 и PE подключается кабель с вилкой CEE на 16 А.

7.2 - Подключение к однофазной электрической сети

При выполнении подключения руководствуйтесь **рис. 12**. К клеммам L1, L3 и PE подключается кабель с вилкой Schuko.

7.3 - Изменение питания посредством перемычки

Питание блока управления может быть изменено также посредством перемычки следующим образом (**рис. 13**).

01. Снимите верхнюю крышку.
02. Извлеките перемычку (стандартное положение 3 x 400 В) с помощью плоскогубцев.
03. Вставьте перемычку (1 x 230 В).
04. Установите обратно верхнюю крышку.

7.4 - Описание электрических подключений (рис. 14): питание, устройства безопасности, управления и вспомогательные устройства

Ко входам 8, 9, 10, 11 можно подключить устройства управления с нормально разомкнутым (NO) и нормально замкнутыми контактами (NC). Можно использовать любой из данных вводов или их комбинацию, а также, возможно, вход STOP/ALT, чтобы подключить, например, внешнюю кнопочную панель или переключатель с тросиком, подсоединенным к потолку.

PUSH BUTTONS - вход для подключения кнопочной панели на крышке короба.

ENCODER - вход для подключения кабеля электронного концевого датчика (энкодера Nice). Не может использоваться в этой версии.

COMMON (8) - вход с 24 В постоянного тока, который является общим для входов OPEN, CLOSE и ING1 и положительным для напряжения на вспомогательных устройствах.

OPEN (9) - вход для устройств, управляющих только открывающим движением; возможно подключение контактов нормально разомкнутого типа.

CLOSE (10) - вход для устройств, управляющих только закрывающим движением; возможно подключение контактов нормально разомкнутого типа.

ING1-photo- (11) - нормально замкнутый вход (NC) для устройств, которые управляют движением системы автоматики. Если этот вход программируется надлежащим образом с помощью программирующего устройства Nice Oview, можно получить следующие режимы функционирования:

- Пошаговый режим
- Частичное открытие
- Открытие
- Закрытие
- Фото (по умолчанию)
- Фото 1
- Alt при открытии
- Alt при закрытии

Для получения инструкций относительно осуществления программирования и описания имеющихся функций см. технические паспорта Oview для DPR0500.

ALT - вход для устройств, останавливающих перемещение. Подключите контакты нормально замкнутого типа (NC).

SAFE - вход для подключения защитного термореле двигателя. **ВНИМАНИЕ!** - Используется только для систем, оснащенных механическими концевыми датчиками. У двигателей, оснащенных электронными концевыми датчиками, остается неподключенным.

LIMIT SWITCH - вход для подключения механических концевых датчиков.

- (1) общий концевой датчик
- (2) концевой датчик открытия
- (3) предконцевой датчик закрытия
- (4) концевой датчик закрытия

STOP - вход для подключения чувствительных кромок резистивного (8k2) или оптического (OSE) типа, как описано ниже (**рис. 15**).


Подключение OSE:

- 5 → положительный 12 В постоянного тока (+) (коричневые провода)
- 6 → сигнал (S) (зеленые провода)
- 7 → отрицательный GND () (белые провода)

Подключение 8k2:

- Подключите сопротивление 8,2 кОм между переключками 6 (сигнал - S) и 7 (отрицательный - GND)

IBT4N - вход для подключения программирующего устройства Oview, со специальным адаптером IBT4N. **ВНИМАНИЕ** - отключите питание до подсоединения/отсоединения программирующего устройства.

ANTENNA  - вход для подключения антенны радиоприемника (примечание: антенна встроена в мигающие устройства Nice LUCY B, MBL, MLBT).

OUT (РАЗЪЕМ ДЛЯ NDA040) - разъем для платы дополнительного устройства NDA040, который добавляет два выхода с беспотенциальными контактами. Эти выходы могут быть должным образом запрограммированы с помощью устройства Nice Oview. Для получения инструкций в отношении программирования и описания имеющихся функций см. руководство платы дополнительного устройства NDA040.

MOTOR - выход для подключения трехфазного и однофазного двигателя.


Для трехфазных двигателей:

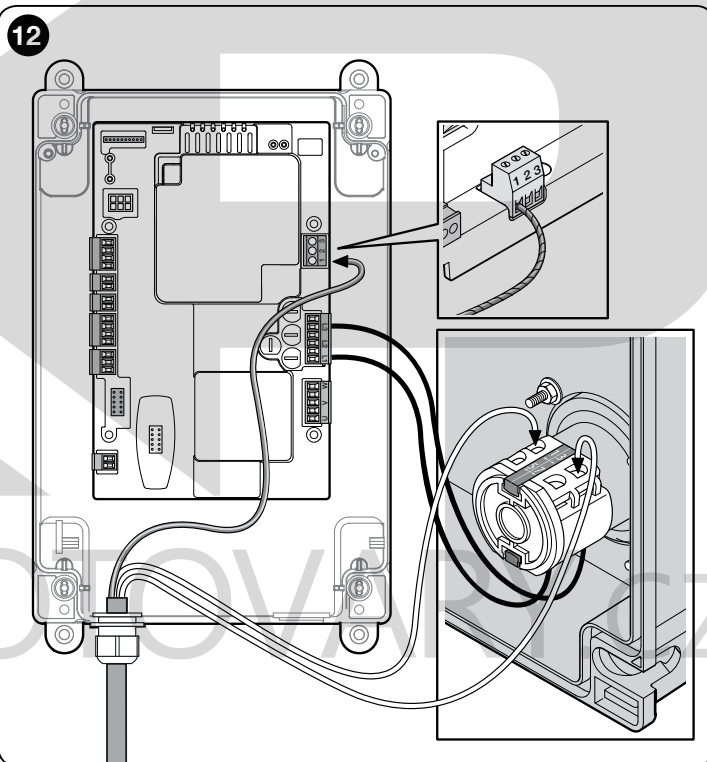
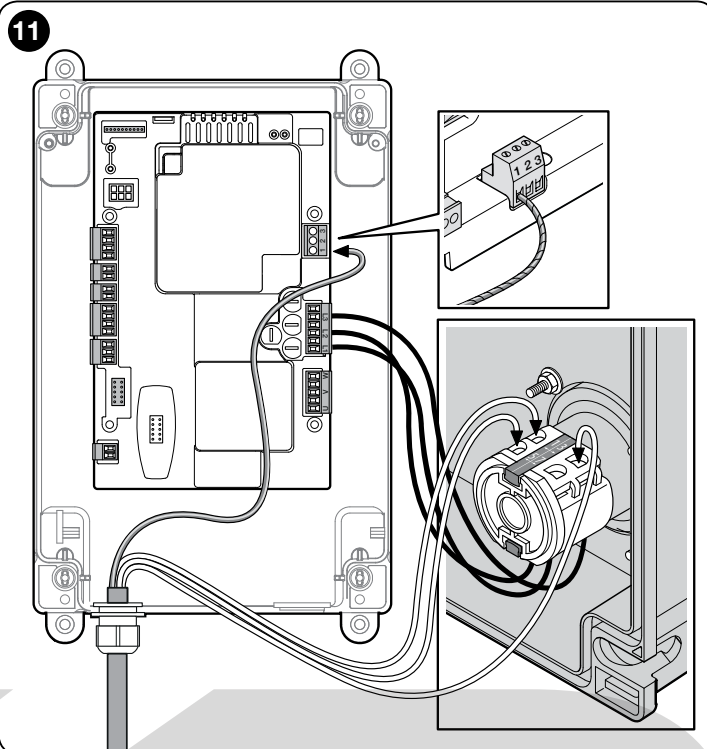
- U - общий
- V - открытие
- W - закрытие

LINE - вход для подключения кабеля питания.

L1-L2-L3: ТРЕХФАЗНОЕ подключение

L1-L3: ОДНОФАЗНОЕ подключение

 **PE** - вход подключения заземления для блока управления и двигателей.



ВАЖНО!

КАТЕГОРИЧЕСКИ НЕ РЕКОМЕНДУЕТСЯ подключать к системе любые другие устройства, за исключением явно указанных в данном руководстве.

Изготовитель не несет никакой ответственности за возможный ущерб, вызванный ненадлежащим использованием отдельных компонентов системы и несоблюдением указаний, приведенных в настоящем руководстве.

Более подробную информацию можно получить в службе технической поддержки компании Nice.

7.5 - Электрические подключения блока управления

ВНИМАНИЕ! Все электрические подключения должны осуществляться только при отключенном сетевом напряжении.

После установки корпуса блока управления и подготовки отверстий для ввода кабелей (см. пар. 6.3) выполните электрические подключения, как описано далее:

01. Подсоедините сначала кабель электропитания:

- для **трехфазной** линии см. пар. 7.1 и **рис. 11**
- для **однофазной** линии см. пар. 7.2 и **рис. 12**

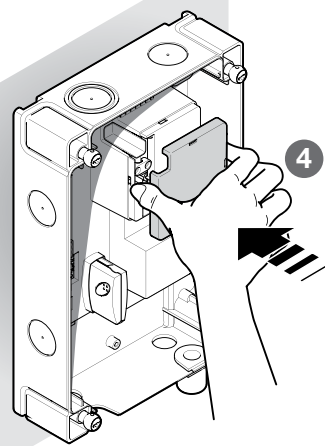
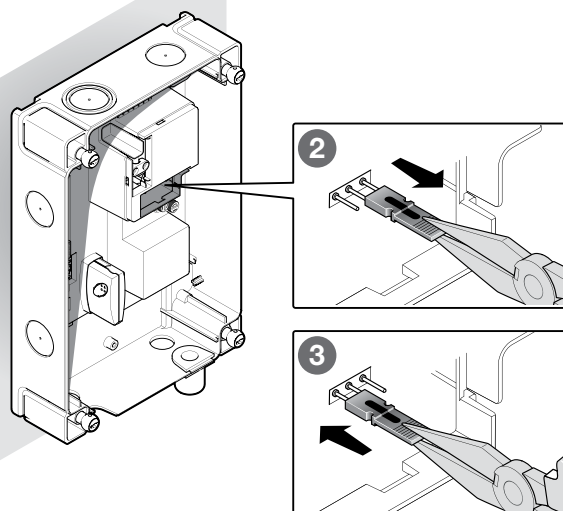
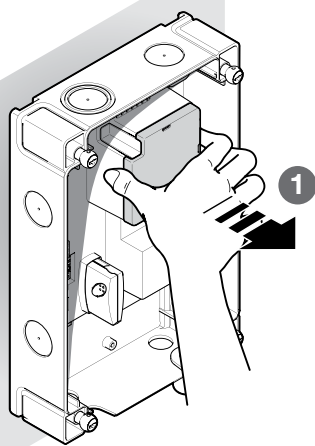
02. Затем подключите электрический кабель двигателя:

- двигатель и механический концевой датчик (**рис. 16**)

03. Наконец, подключите электрические кабели остальных установленных устройств (см. **Рис. 13** и пар. 7.3).

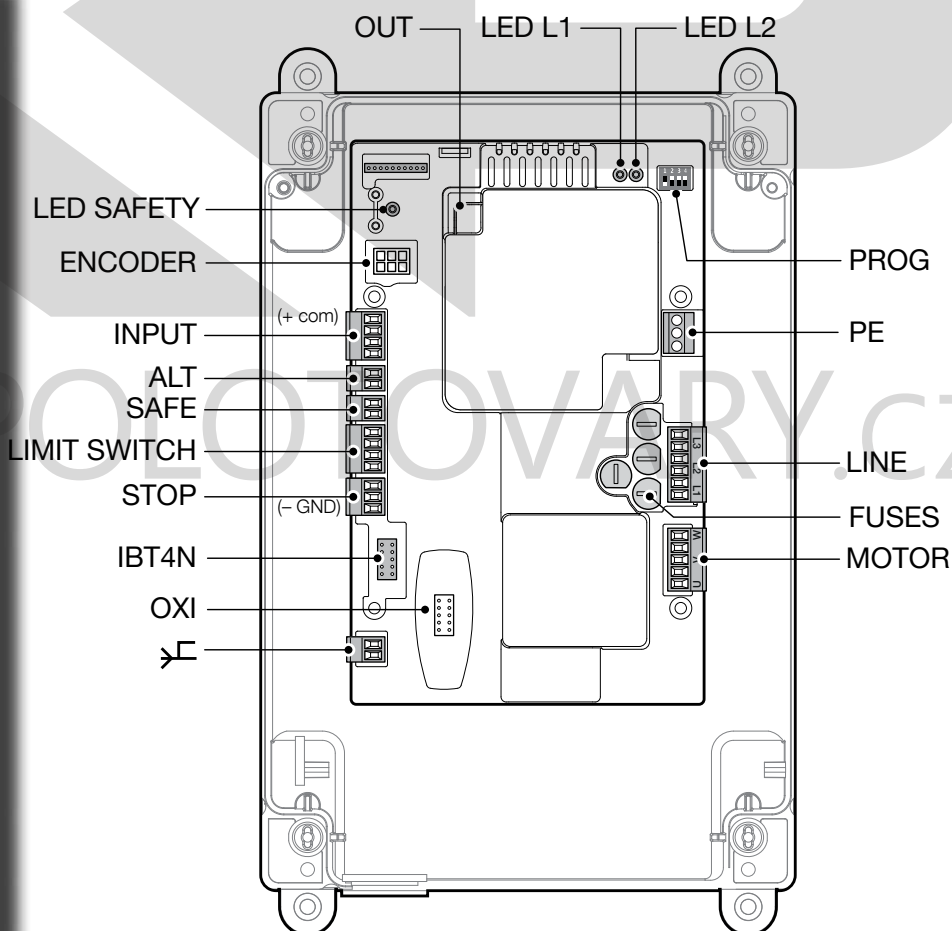
Примечание. Для облегчения подключения кабелей блоки контактных зажимов (клеммники) можно извлечь из своих гнезд.

13



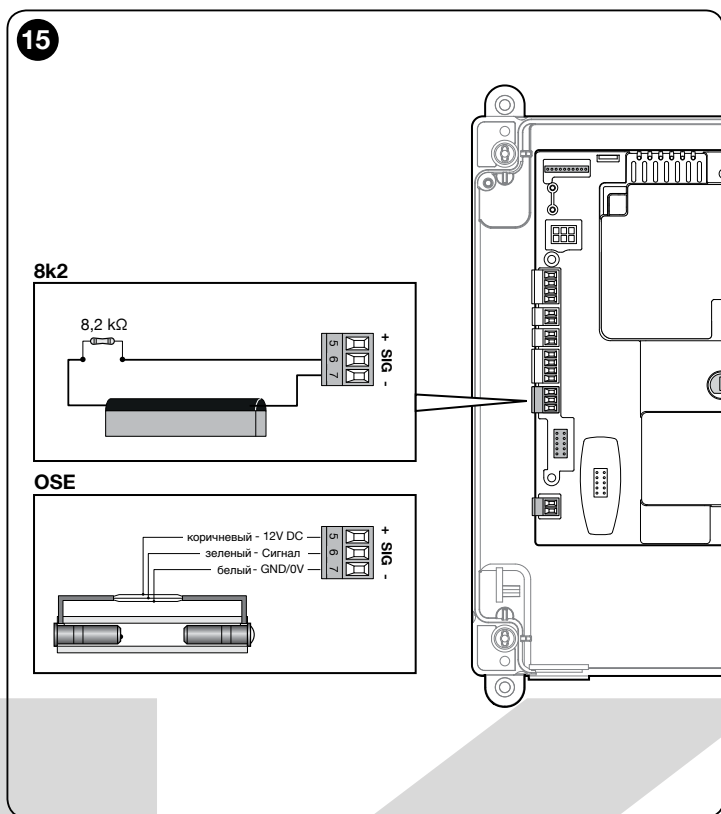
14

LED SAFETY	= СВЕТОДИОД предохранительной цепи
LED L2	= СВЕТОДИОД ОК (зеленый)
LED L1	= Предупреждающий СВЕТОДИОД (красный)
OUT	слот для вставки платы дополнительного устройства NDA040 расширения выходов
PROG	= DIP-переключатель для программирования
ENCODER	= электронный концевой датчик
INPUT	внешние входы (Общий, Открыто, Закрыто, Вход1 (ФОТО)) 8 - com (+24 В постоянного тока общий) 9 - open (Открыто) 10 - close (Закрыто) 11 - photo (Вход1)
ALT	= клемма ALT
SAFE	только для двигателей с механическими концевыми датчиками (оставьте неподключенным у двигателей с электронным концевым датчиком)
LIMIT SWITCH	= механический концевой датчик
STOP	клемма «STOP», используемая для предохранительной кромки 8K2 или OSE 5 - положительный (+) 6 - сигнал чувствительной кромки 7 - отрицательный «земля» (-)
IBT4N	= разъем для интерфейса IBT4N (не входящего в комплект поставки)
OXI	= разъем для подключения радиоприемников с гнездом SM (SMXI/OXI)
	= антенна
	= подключение заземления
LINE	= разъем для подключения трехфазной или однофазной линии питания
FUSES	= F1, F2, F3, F4: см. «Технические характеристики»
MOTOR	= двигатель

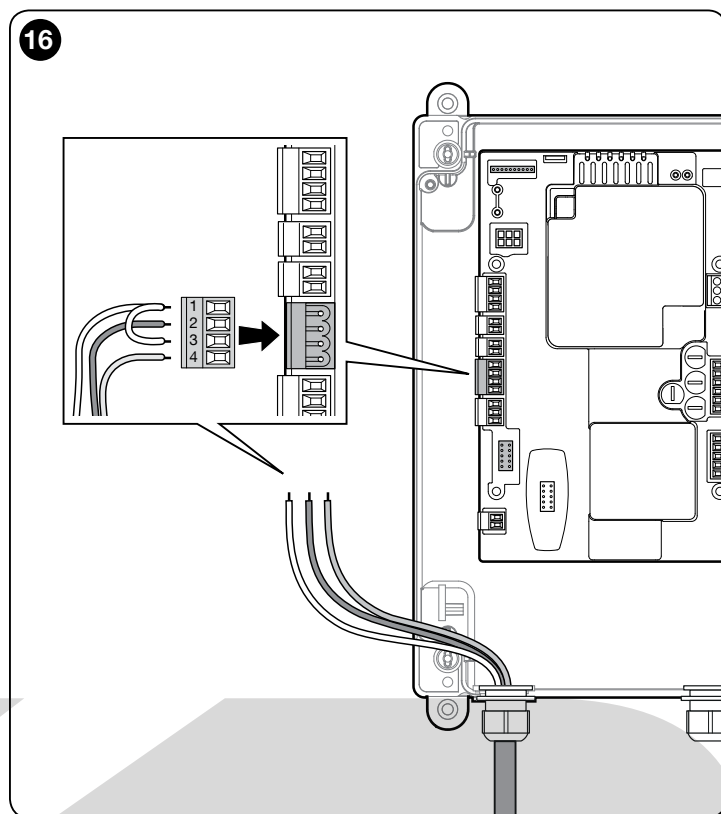


RU

15



16



7.6 - Вход STOP SAFETY EDGE

Функция входа STOP SAFETY EDGE - обеспечить немедленный останов перемещения с последующим кратковременным обратным ходом.

К данному входу можно подключать такие устройства, как чувствительные оптические кромки (OSE) или с выходом на постоянное сопротивление 8,2 кОм.

Блок управления во время поиска и запоминания распознает тип подключенного устройства и выполнит останов при обнаружении различий с ранее сохраненным в памяти состоянием устройств.

С помощью соответствующей процедуры ко входу STOP SAFETY EDGE можно подключить несколько устройств, даже разных типов:

- устройства нормально разомкнутого типа (NO): подключите параллельно устройству сопротивление 8,2 кОм;
- устройства нормально замкнутого типа (NC): подключите последовательно устройству сопротивление 8,2 кОм;
- устройства NC можно подключать последовательно, без ограничения по количеству;
- при наличии нескольких устройств все они должны подключаться каскадно с единственным терминирующим резистором на 8,2 кОм;
- можно создавать комбинации устройств нормально разомкнутого и замкнутого типа, подключая их параллельно. В этом случае следует поместить последовательно нормально замкнутому контакту сопротивление 8,2 кОм. Это делает возможной также комбинацию трех устройств: NO, NC и 8,2 кОм.

7.7 - Подсоединение радиоприемника

Блок управления оснащен соединителем типа SM для подключения приемников (факультативно, не входит в стандартный комплект поставки) моделей SMXI, SMXIS, OXI, OXIT и аналогичных.

Для подключения приемника следует отключить блок управления от электрической сети и установить приемник, как показано на рис. 17.

В таблице 2 приведены действия, выполняемые на блоке управления в зависимости от активированных выходов или команд, подаваемых с радиоприемника.

Примечание. Более подробную информацию см. в руководстве по эксплуатации приемника.

ТАБЛИЦА 2

Приемник SMXI, SMXIS в «Режиме 1 или 2»	
выход	описание
Выход №1	Пошагово
Выход №2	Частичное открытие; Заводская настройка: открывается на половину хода (можно изменить при заказе или с помощью программатора Oview)
Выход №3	Открыть
Выход №4	Закрыть

Приемник OXI, OXIT запрограммирован в «Расширенном режиме 2»

команда	описание
Команда № 1	Пошагово
Команда № 2	Частичное открытие; Заводская настройка: открывается на половину хода (можно изменить при заказе или с помощью программатора Oview)
Команда № 3	Открыть
Команда № 4	Закрыть
Команда № 5	Stop
Команда № 6	Пошагово Совместно
Команда № 7	Пошагово Высокий приоритет
Команда № 8	Открыть частично 2
Команда № 9	Открыть частично 3
Команда № 10	Открыть и заблокировать автоматику
Команда № 11	Закрыть и заблокировать автоматику
Команда № 12	Блокировать автоматику
Команда № 13	Разблокировать автоматику
Команда № 14	Подсветка Таймер
Команда № 15	подсветка ВКЛ/ВЫКЛ

7.8 - Первое включение и проверка подключений

После подачи напряжения на блок управления выполните следующие проверки:

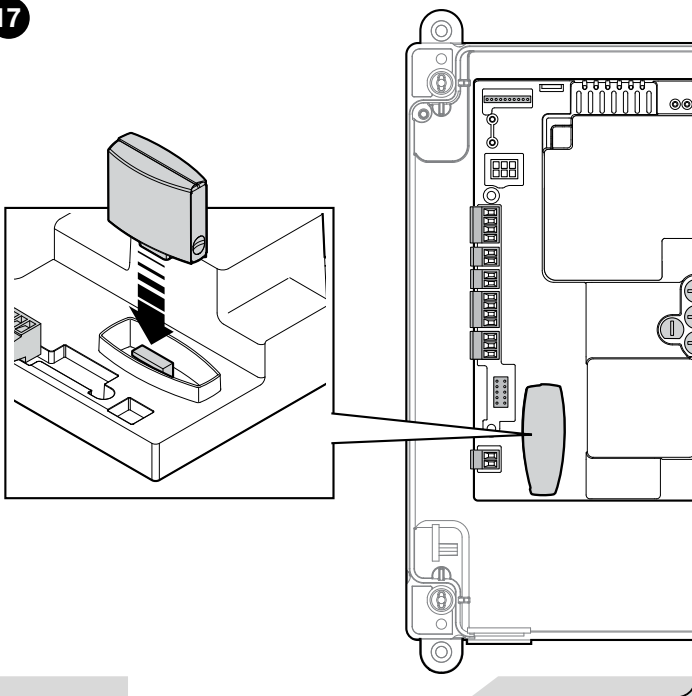
- Удостоверьтесь, что зеленый светодиод L2 (рядом с DIP-переключателями) регулярно мигает с частотой 1 вспышка в секунду.
- Если на установке имеются фотодатчики, убедитесь в том, что их светодиоды мигают (RX). Характер мигания не имеет значения, поскольку зависит от многих факторов.
- Убедитесь, что красный светодиод LED SAFETY рядом с соединителем кабеля клавиатуры постоянно горит (см. Диагностическую таблицу Led Safety в пар. 10.2).

Если хотя бы одна из этих проверок не отвечает требуемому условию, отсоедините блок от электрической сети и проверьте все ранее сделанные электрические подключения.

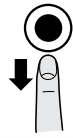
7.9 - Полная очистка памяти блока управления

При необходимости можно удалить из блока управления все настройки и вернуть его в исходное состояние со стандартными (заводскими) настройками.

17



03. Отпустите кнопку STOP



Эту процедуру необходимо повторить в случае модификации устройств, подключенных к клемме «STOP Safety Edge» (например, после подключения нового устройства к блоку управления).

После распознавания всех подключенных устройств, присутствующих в системе автоматики, необходимо распознать в блоке управления положения открытия и закрытия ворот.

ВНИМАНИЕ! - Процедура запоминания устройств безопасности и положений открытия и закрытия ворот осуществляется непрерывно, друг за другом. Нельзя выполнить распознавание устройств безопасности в одно время, а распознавание положений - в другое.

7.10.1 - Запоминание положений открытия и закрытия с механическим концевым датчиком

Можно запрограммировать 2 позиции, как описано ниже.

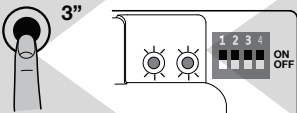
Позиция	Значение
Открывание	Позиция полного открытия. После достижения данной точки ворота останутся.
Закрывание	Позиция полного закрытия. После достижения данной точки ворота останутся.

Внимание! - Если направление вращения не соответствует заданному направлению (кнопка «Открыть» = открытие), необходимо отсоединить блок питания от электрической сети и поменять местами жилы кабеля двигателя, подключенные к контактным зажимам «V» и «W» (перефазировать двигатель) (рис. 18).

01. Установите dip-выключатели 1-2-3-4 на ON = зеленый и красный светодиоды начинают быстро мигать



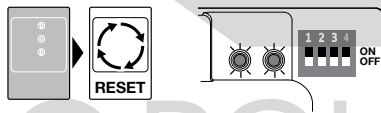
02. Удерживайте нажатой кнопку STOP в течение 3 секунд до тех пор, пока зеленый и красный светодиоды не начнут гореть немигающим светом



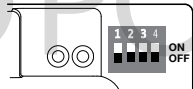
03. Отпустите кнопку STOP



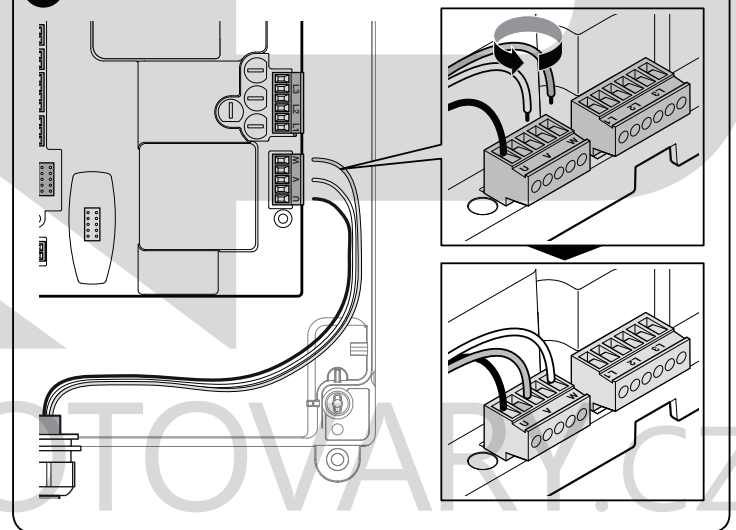
04. Теперь блок управления выполняет СБРОС = зеленый и красный светодиоды начинают быстро мигать



05. Установите dip-выключатели 1-2-3-4 на OFF



18



7.10 - Распознавание устройств безопасности и положений открытия и закрытия

После первого включения (пар. 7.8), перед установкой положения открытия и закрытия ворот, необходимо выполнить запоминание устройств безопасности, подключенных на входе «STOP Safety Edge» со стороны блока управления.

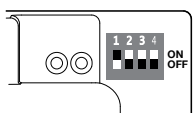
ВНИМАНИЕ! - На этапе распознавания должно присутствовать хотя бы одно устройство безопасности, подключенное к блоку управления.

↑ ОТКРЫТИЕ

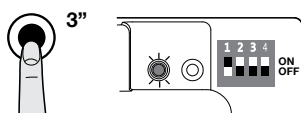
○ STOP

↓ ЗАКРЫТИЕ

01. Установите dip-выключатель 1 на ON =
- Зеленый светодиод начинает быстро мигать
- Красный светодиод выключен

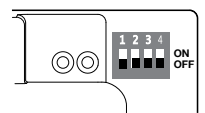


02. Удерживайте нажатой кнопку STOP до тех пор, пока красный светодиод не загорится немигающим светом (примерно через 3 секунды)

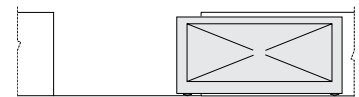


Процедура выполняется, как описано далее:

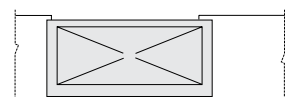
01. Приведите DIP-выключатель 1 в положение OFF.



02. Нажмите кнопку «Открытие», чтобы привести ворота в положение максимального открытия.



03. Нажмите кнопку «Закрытие», чтобы привести ворота в положение максимального закрытия.



ВНИМАНИЕ! - Этапы запоминания настроек в блоке не должны

прерываться. Если это произошло, необходимо повторить всю процедуру с самого начала. Если по окончании этапа запоминания настроек красный светодиод мигает 9 раз - пауза - 9 раз, это означает, что произошла ошибка.

Если же он будет мигать 3 раза - пауза - 3 раза, следует сбросить ошибку, нажав кнопку STOP и поменять местами соединение концевого выключателя открытого положения с концевым выключателем закрытого положения на клемме LIMIT SWITCH (рис. 14).

Этап поиска и запоминания позиций можно повторить в любой момент даже после окончания установки.

7.11 - Режим функционирования

ВНИМАНИЕ! - Если функции таблицы 3 программируются с помощью программирующего устройства Oview, необходимо настроить Dip-выключатели = OFF.

ТАБЛИЦА 3				
DIP1	DIP2	DIP3	DIP4	Функция
ВЫКЛ	ВЫКЛ	ВЫКЛ	ВЫКЛ	Движение в присутствии человека
ВКЛ (ON)	x	ВЫКЛ	ВЫКЛ	Считывание положений и состояния входа ALT
ВЫКЛ	ВКЛ (ON)	ВЫКЛ	ВЫКЛ	Направление вращения инвертированного энкодера
ВЫКЛ	x	ВЫКЛ	ВКЛ (ON)	Промышленный режим (полуавтоматическое открытие - закрытие в присутствии человека), если положения внесены в память
ВЫКЛ	x	ВКЛ (ON)		Полуавтоматический режим, если положения внесены в память
ВЫКЛ	x	ВКЛ (ON)	ВКЛ (ON)	Автоматический режим с задаваемым временем паузы, если положения внесены в память (для запоминания времени паузы, см. раздел 10.1.2 «Другие функции»)

7.12 - Программирующее устройство Oview

Использование программатора Oview существенно облегчает и ускоряет наладку, техническое обслуживание и диагностику систем автоматизации ворот/роллет.

Можно подсоединить Oview к блоку управления посредством интерфейса IBT4N, используя bus-кабель с 4 внутренними электрическими проводами.

Для доступа к разъему BusT4 необходимо открыть короб блока управления, вставить соединитель IBT4N в специальное гнездо, а потом подключить программирующее устройство Oview (рис. 19).

Oview может использоваться по отношению к блоку управления на расстоянии до 100 м. Он может подключаться одновременно к нескольким блокам управления (до 16) и оставаться подключенным даже при нормальной работе автоматизированной системы. При работе с Oview крайне важно соблюдать указания, приведенные в руководстве для пользователя Oview.

Если блок управления оснащен радиоприемником модели OXI, с помощью Oview можно получить доступ к параметрам передатчиков, сохраненных в приемнике. Подробнее см. в руководстве пользователя Oview или блок-схеме функций блока управления, доступных на интернет-сайте www.niceforyou.com.

ВНИМАНИЕ! Если функции таблицы 3 программируются с помощью программирующего устройства Oview, необходимо настроить Dip-выключатели = OFF.

8 ИСПЫТАНИЕ И ВВОД В ЭКСПЛУАТАЦИЮ

Этапы испытания и ввода в эксплуатацию являются наиболее важными для обеспечения безопасности системы автоматизации. Испытания также могут использоваться для периодической проверки работоспособности устройств, входящих в систему автоматизации.

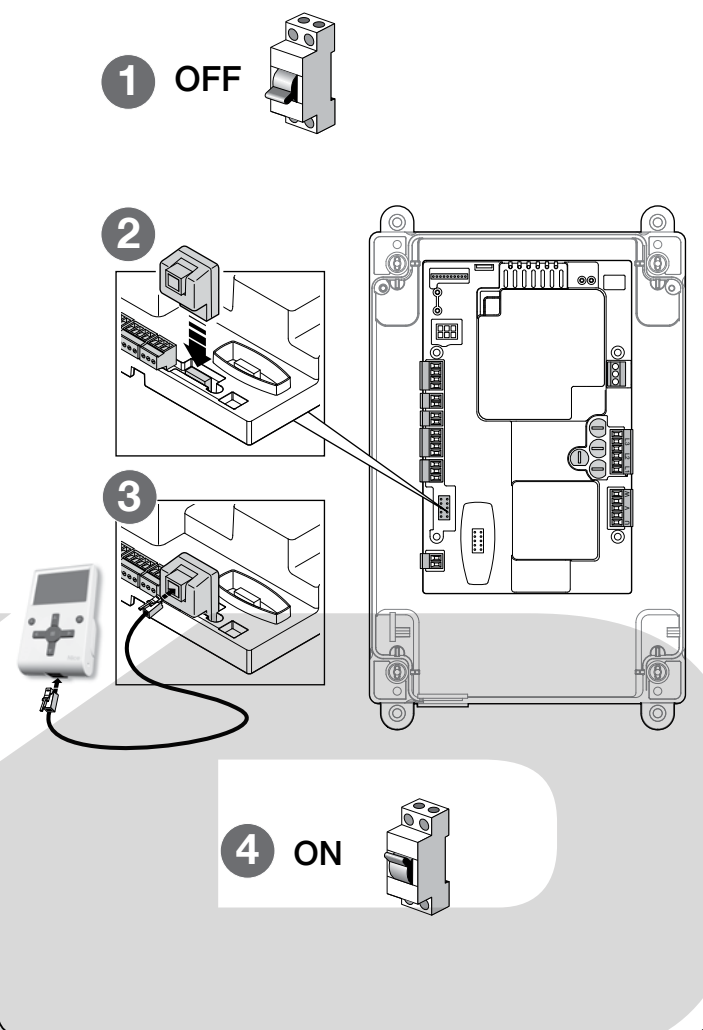
Они должны выполняться квалифицированным персоналом, который обязан подбирать тесты, необходимые для оценки принятых решений с точки зрения имеющихся рисков, и убедиться в их соответствии законам, нормативам и регламентам, в частности всем требованиям директивы EN 12445, которая определяет методы испытания для систем автоматизации ворот и дверей. Дополнительные устройства должны подвергаться испытаниям как в отношении их работоспособности, так и в отношении их правильной интеграции в систему управления, в соответствии с указаниями в их руководствах по эксплуатации.

8.1 - Испытание

Последовательность операций для проведения испытаний описана далее и относится к типичной системе:

- 1 Проверьте, соблюдены ли условия, указанные в разделе «Указания по монтажу».
- 2 Разблокируйте двигатель. Убедитесь, что ворота можно открывать и

19



закрывать вручную с усилием не более 225 Н.

3 Заблокируйте двигатель.

4 Используя органы управления (передатчик, кнопка управления, запираемый на ключ переключатель и т. д.), произведите проверку открытия, закрытия и останова ворот, убедитесь в том, что движение створок соответствует тому, что предусмотрено. Произведите различные испытания для оценки хода ворот, удостоверьтесь в отсутствии дефектов монтажа и наладки, а также каких-либо необычных точек трения.

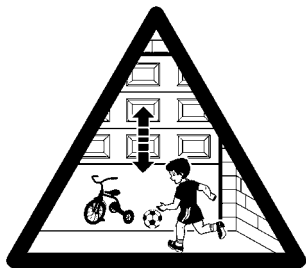
5 Проверьте последовательно правильную работу всех имеющихся в системе устройств безопасности (фотоэлементы, чувствительные кромки и т. д.).

6 Если для минимизации риска возникновения опасных ситуаций, связанных с перемещением секций, принято ограничение усилия при перемещении, следует произвести измерения усилий, как описано в стандарте EN 12445.

8.2 - Ввод в эксплуатацию

Ввод в эксплуатацию разрешается только после успешного выполнения всех испытаний блока управления и других устройств системы автоматизации, как описано в пар. 8.1. **Категорически запрещается ввод системы в эксплуатацию с недоделками или неустраненными проблемами.**

- 1 Заполните и храните не менее 10 лет технический паспорт системы автоматизации, который должен содержать как минимум принципиальную схему системы автоматизации, электрическую схему, анализ рисков и перечень выполненных мероприятий по их устранению, декларации соответствия изготовителей всех использованных устройств (для блока используйте приложенную декларацию соответствия ЕС), копию руководства пользователя и план-график технического обслуживания.
- 2 Прикрепите к воротам табличку со следующей информацией: тип системы, название и адрес изготовителя (организации, выполнявшей ввод системы в эксплуатацию), серийный номер, год выпуска и знак «СЕ».
- 3 Установите поблизости от двери табличку или этикетку с описанием операций по разблокировке и ручному открытию/закрытию ворот.
- 4 Прикрепите к воротам табличку или этикетку с данным рисунком (минимальная высота 60 мм).



- 5 Заполните и передайте владельцу декларацию соответствия на систему автоматизации или автоматические ворота.
- 6 Составьте и передайте владельцу руководство пользователя системы автоматизации или автоматических ворот.
- 7 Заполните и передайте владельцу план-график технического обслуживания системы автоматизации или автоматических ворот (план должен содержать указания по техническому обслуживанию всех устройств, входящих в систему).

9 УСТАНОВКА И ЭЛЕКТРИЧЕСКОЕ ПОДКЛЮЧЕНИЕ ДВУХ БЛОКОВ УПРАВЛЕНИЯ ДЛЯ ФУНКЦИОНИРОВАНИЯ С ПРОТИВОПОЛОЖНЫМИ СТВОРКАМИ

Для создания автоматизированной системы, состоящей из двух противоположно движущихся створок, необходимо использовать два блока управления, подключенных, как показано на **рис. 20**.

Двигатели и концевые выключатели должны быть подключены к каждому блоку управления. Мигающее устройство и выход SCA (индикатор открытых ворот) могут быть подключены к одному из блоков управления или же установлены по одному для каждого блока (**рис. А** стр. 6). Входы должны быть расположены параллельно между собой; вход «Общий» может быть соединен с одним из двух блоков управления. Подключите вместе клеммы «←→» чувствительной кромки (8k2/OSE) двух блоков управления.

Выполните конфигурирование входа «Открытие» как «Совместный», используя программирующее устройство Oview, которое позволяет заново синхронизировать створки, если два блока управления утрачивают синхронизацию.

С этой конфигурацией следует помнить, что:

- срабатывание чувствительной кромки действует только на одну створку;
- красная кнопка STOP действует только на одну створку;
- срабатывание тепловой защиты действует только на одну створку.

10 ПОДРОБНАЯ ИНФОРМАЦИЯ И ДИАГНОСТИКА

10.1 - Дополнительная информация

10.1.1 - Сигналы при включении

При включении блока управления DPRO500 поведение зеленого светодиода L2 OK и красного L1 WARNING является показательным, как проиллюстрировано в Таблице 4. В частности, передается следующая информация:

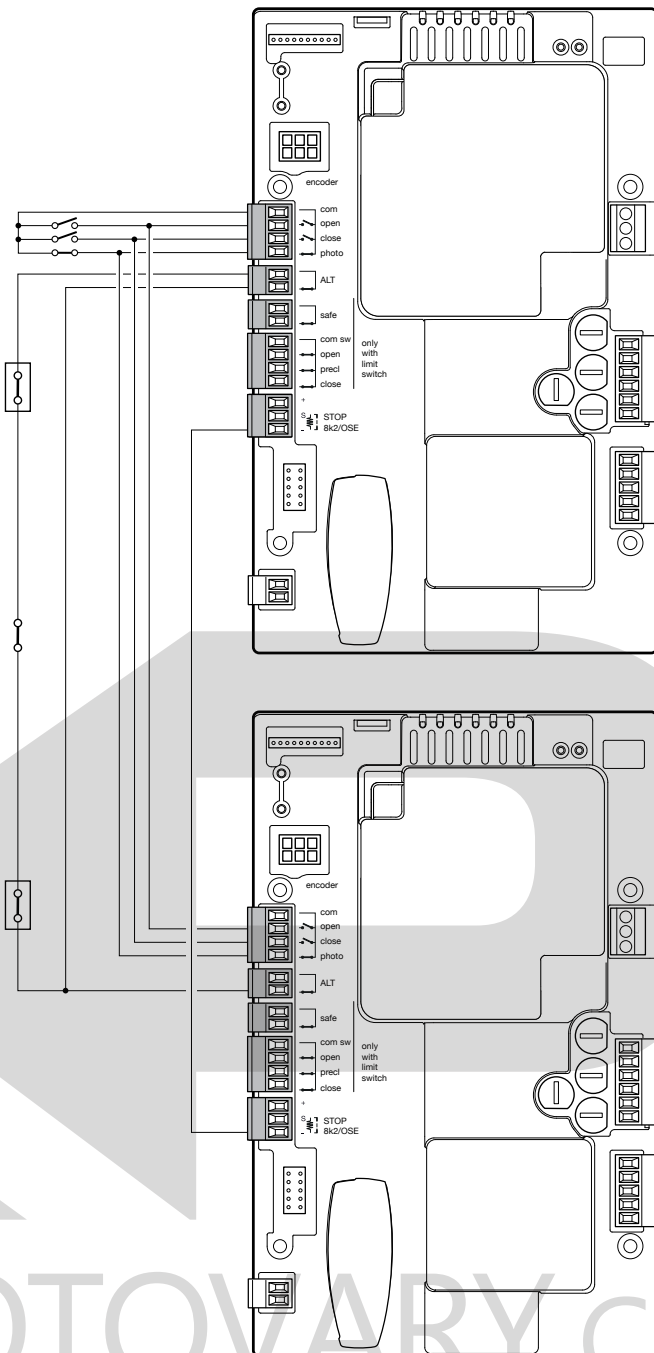
- правильным ли является считывание положений открытия и закрытия;
- правильным ли является распознавание устройства безопасности (чувствительной кромки) и какой тип устройства безопасности был распознан.

ТАБЛИЦА 4

Сигналы при включении	Оповещение	
	Светодиод L2 OK ЗЕЛЕНЫЙ	Светодиод L1 WARNING КРАСНЫЙ
Чистая память (никакое положение и устройства безопасности не считаны)	Быстрое мигание в течение 5 секунд	Быстрое мигание в течение 5 секунд
Положения считаны правильно, а устройство безопасности «8k2» распознано	Быстрое мигание в течение 2 секунд	Только одна медленная вспышка
Положения считаны правильно, а устройство безопасности «OSE» распознано	Быстрое мигание в течение 2 секунд	Две медленных вспышки

После сигналов, как указано в Таблице 4, блок управления DPRO500 демонстрирует возможные ошибки посредством диагностики, проводимой с помощью светодиодов L2 OK и L1 WARNING.

20



10.1.2 - Другие функции

Контрольная лампа состояния и диагностики (контактные зажимы на клавиатуре)

В блоке управления предусмотрена возможность подключения контрольной лампы с характеристиками 24 В - 5 Вт макс. к клемме «spia» платы кнопочной панели, которая находится под крышкой корпуса (**рис. 21**: клемма 1, 2+). Контрольная лампа может быть вмонтирована непосредственно в крышку или установлена снаружи блока на расстоянии не более 2 м от него.

ВНИМАНИЕ! - Данный выход не имеет защиты от короткого замыкания.

Данная лампа будет работать следующим образом:

- не горит, когда предохранительная цепь разомкнута (вход ALT, красная кнопка STOP, термозащита или разблокировка);
- мигает 0,5 сек. ON, 0,5 сек. OFF, когда функционирует правильным образом;
- передает ту же диагностику красного светодиода L1 WARNING, когда появляются «серьезные ошибки» (пар. 10.2).

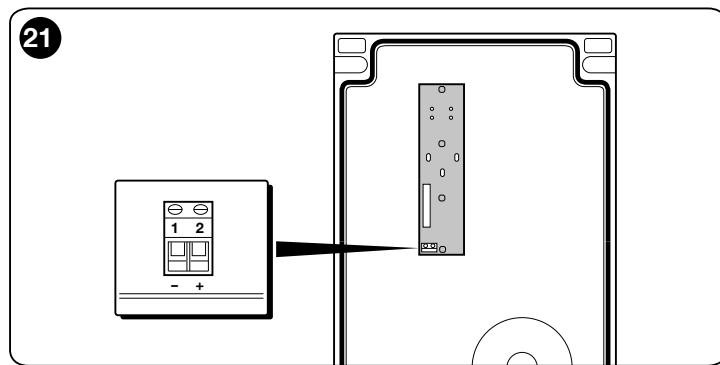
Установка времени паузы автоматического закрытия

- 1 Приведите DIP-выключатель 3 и 4 в положение ON.
- 2 С помощью команды открытия приведите ворота в положение максимального открытия.
- 3 После того как достигнуто это положение, подождите в течение желаемого времени паузы автоматического закрытия и дайте коман-

ду закрытия. Время паузы автоматического закрытия теперь сохранено в памяти.

Чтобы изменить значение времени паузы, приведите dip-выключатели 3 и 4 в положение OFF, а затем - снова в ON. Теперь нужно будет повторить последовательность открытия, времени паузы, закрытия.

ВНИМАНИЕ! - Когда DIP-выключатель 4 приводится в положение OFF, время паузы удаляется.



10.2 - Диагностика

Некоторые устройства могут подавать сигналы, по которым можно распознать рабочее состояние или же возможные неполадки. В следующей таблице описаны различные оповещения в соответствии с типом проблемы. Оповещение осуществляется посредством соответствующих вспышек зеленого L2 OK и красного L1 WARNING светодиодов, а также возможного мигающего устройства, которые подключены к специально запрограммированным выходам блока управления.

ДИАГНОСТИКА ЗЕЛЕННОГО СВЕТОДИОДА L2 OK

Оповещение	Причина	Способ устранения	Мигающее устройство
2 вспышки - короткая пауза 2 вспышки - длинная пауза	Срабатывание фотоэлемента	Перед началом перемещения с одного или нескольких фотодатчиков отсутствует разрешающий сигнал. Убедитесь в отсутствии внешних и взаимных помех для фотодатчиков. При срабатывании устройств безопасности можно управлять автоматизированной системой в режиме «Присутствие человека» посредством ряда команд. Нельзя отправлять команды по радио.	Вспышка
4 вспышки - короткая пауза 4 вспышки - длинная пауза	Срабатывание на входе STOP	В начале или во время перемещения произошло переключение входа «STOP» или «ALT»; выявите причину. При срабатывании устройств безопасности можно управлять автоматизированной системой в режиме «Присутствие человека» посредством ряда команд. Нельзя отправлять команды по радио.	Вспышка
6 вспышек - короткая пауза 6 вспышек - длинная пауза	Ограничитель операций	---	Вспышка
9 вспышек - короткая пауза 9 вспышек - длинная пауза	Автоматика заблокирована	Подайте команду «Разблокировка автоматики» или команду движения с «Пошаговый режим с высоким приоритетом».	Вспышка
Светодиоды горят в течение 3 секунд	Блокировка автоматики	---	Вспышка
2 мигания в течение 1 секунды пауза 1,5 секунды	Автоматика разблокирована	---	Вспышка

ДИАГНОСТИКА КРАСНОГО СВЕТОДИОДА L1 WARNING

⚠ Некоторые сигналы оповещения могут быть удалены нажатием красной кнопки STOP

Оповещение	Причина	Способ устранения	Мигающее устройство
5 вспышек - короткая пауза 5 вспышек - длинная пауза	Ошибка ЭСПЗУ - ошибка внутренних параметров блока управления	Выключите и включите блок управления. Если ошибка не исчезнет, выполните «Полную очистку памяти», как описано в пар. 7.8, и произведите повторную настройку. Если проблема не исчезнет, возможно, неисправность серьезная и потребуются замена электронной платы блока.	Вспышка
2 вспышки - короткая пауза 2 вспышки - длинная пауза	Ошибка тестирования устройств безопасности	Выполните снова процедуру запоминания устройств безопасности, подключенных к блоку (пар. 7.9).	---
3 вспышки - короткая пауза 3 вспышки - длинная пауза	Ошибка направления вращения энкодера или инвертированного концевого выключателя	Инвертируйте направление вращения энкодера, переведя в положение ON DIP-выключатель 2 (см. пар. 7.10). Если двигатель с механическим концевым датчиком, следует сбросить ошибку, нажав кнопку STOP, и поменять местами соединение концевого выключателя открытого положения с концевым выключателем закрытого положения на клемме LIMIT SWITCH (рис. 14).	---
4 вспышки - короткая пауза 4 вспышки - длинная пауза	Ошибка защитного концевого датчика	Ворота вышли за защитные концевые датчики при открытии или закрытии. Поднимите вручную ворота примерно на половину высоты с помощью аварийной системы (см. руководство по эксплуатации двигателя) и нажмите кнопку STOP на крышке для возобновления работы. Установите, необходимо ли изменять положения открытия/закрытия, ранее внесенные в память.	---
6 вспышек - короткая пауза 6 вспышек - длинная пауза	Ошибка дистанционного выключателя	Отсоедините на несколько секунд блок от всех сетей питания. Потом подсоедините и попробуйте подать команду. Если проблема не исчезнет, возможно, имеется серьезная неисправность платы или проблема с подключением двигателя. Произведите дополнительные проверки и замену дефектного узла.	---
7 вспышек - короткая пауза 7 вспышек - длинная пауза	Ошибка связи RS485 с энкодером	Проверьте правильность подключения кабеля двигателя - блока управления, в частности подключения кабеля энкодера (6 цветных проводов).	---

8 вспышек - короткая пауза 8 вспышек - длинная пауза	Ошибка энкодера	Проверьте правильность подключения кабеля двигателя - блока управления, в частности подключения кабеля энкодера (6 цветных проводов). Снова выполните процедуру сохранения положений открытия и закрытия.	---
9 вспышек - короткая пауза 9 вспышек - длинная пауза	Ошибка сохранения положения концевых выключателей	Снова повторите процедуру сохранения положений открытия и закрытия.	---
10 вспышек - короткая пауза 10 вспышек - длинная пауза	Ошибка тайм-аута операции	Значение по умолчанию тайм-аута операции - 60 сек. Проверьте, чтобы не было помех движению ворот, чтобы движение происходило правильно. Проверьте (с помощью программирующего устройства Oview, при его наличии), была ли изменена длительность таймера. Снова выполните процедуру сохранения положений открытия и закрытия.	---

Примечание. Диагностическая сигнализация с миганием светодиодов прекращается в момент, когда подается команда на блок управления.

Диагностическая сигнализация с использованием внешнего мигающего устройства* продолжается в течение двух комбинаций мигания (например, последовательность из «3 вспышек – короткой паузы – 3 вспышек – длинной паузы», повторенной два раза).

ВНИМАНИЕ: для подключения внешнего мигающего устройства нужно использовать дополнительную плату NDA040 (не входящую в комплект поставки).

* Конфигурировано с помощью программирующего устройства Oview как «Мигающее устройство 1».

ДИАГНОСТИКА СВЕТОДИОДОВ L1 и L2

Оповещение	Причина
Быстрое чередующееся мигание красного и зеленого светодиодов	Выполняется обновление прошивки
4 вспышки - пауза - 4 вспышки одновременно светодиодов	В ожидании обновления прошивки

ДИАГНОСТИКА СВЕТОДИОДА LED SAFETY

Оповещение	Причина	Способ устранения
Горит	Правильное функционирование	---
Не горит	Предохранительная цепь разомкнута	Предохранительная цепь состоит из ряда входов (ALT, кнопка STOP, термореле двигателя, разблокировка двигателя). Замкните контур

11 ЧТО ДЕЛАТЬ, ЕСЛИ...

(руководство по поиску и устранению неисправностей)

Далее приведены возможные неполадки, которые могут обнаружиться при монтаже или в случае ошибки и возможные способы устранения:

- **Двигатель остановлен, нет команды ни для каких операций, красный светодиод мигает:** проверьте тип последовательности вспышек, сверившись с таблицей «Диагностика светодиода L1 warning» (см. раздел 10.2) и нажмите красную кнопку STOP, чтобы отменить диагностику.
- **Радиопередатчик не управляет движением, и светодиод на нем не загорается:** проверьте, не разряжены ли батарейки, и замените их при необходимости.
- **Радиопередатчик не управляет движением, но светодиод на нем горит:** убедитесь в том, что передатчик правильно сохранен в радиоприемнике. Также проверьте на передатчике правильную отправку радиосигналов с помощью следующего эмпирического теста: нажмите любую кнопку передатчика и направьте его светодиод на общую антенну действующего радиоприбора, настроенного на частоту 108,5 МГц FM-диапазона или на близкую к ней частоту. При этом должен быть слышен легкий шум с импульсным потрескиванием.
- **При подаче команды не выполняются никакие действия, а светодиод ОК не мигает:** убедитесь в том, что система подключена к электрической сети 230/400 В. Кроме того, проверьте исправность предохранителей. При обнаружении перегоревших выясните причину, устранили ее, а затем замените предохранители аналогичными.
- **При подаче команды не выполняются никакие действия, а мигающее устройство выключено:** убедитесь в том, что команда действительно принята. При поступлении команды на вход «PP» светодиод ОК должен дважды мигнуть, сигнализируя, что команда была принята.
- **Перемещение не происходит, а мигающее устройство мигает:** подсчитайте количество миганий и проверьте сигнал по таблице диагностики в разделе 10.2.
- **Двигатель вращается в обратном направлении:**
 - для трехфазных двигателей необходимо поменять местами жилы кабеля, подключенные к зажимам «V» и «W» двигателя;
 - для однофазного двигателя необходимо поменять местами жилы кабеля, подключенные к зажимам «V» и «W» двигателя.
- **Перемещение начинается и сразу останавливается:** выявите причину по сигналам светодиодов блока управления.
- **Красный светодиод L1 WARNING выполняет 9 миганий, за которыми следует пауза:** произошла ошибка в процедуре запоминания положений открытия и закрытия. Необходимо выполнить стирание памяти (см. 7.9) и повторить запоминание положений (см. 7.10).

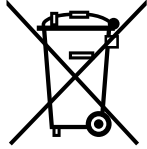
12 УТИЛИЗАЦИЯ ИЗДЕЛИЯ

Настоящее изделие является неотъемлемой частью системы автоматизации или автоматических ворот и должно утилизироваться вместе с ними.

Как монтаж, так и демонтаж изделия по окончании срока его службы должны выполняться квалифицированным персоналом.

Настоящее изделие состоит из различных материалов, некоторые из них могут использоваться в качестве вторсырья, а другие подлежат утилизации. Более подробную информацию по утилизации различных видов материалов можно получить в местных органах охраны окружающей среды.

Внимание! – Отдельные части изделия могут содержать вредные или опасные вещества, которые при ненадлежащей утилизации могут причинить ущерб окружающей среде или здоровью человека.



Знак слева указывает на то, что данное изделие нельзя утилизировать как бытовые отходы. Поэтому храните и утилизируйте данное изделие отдельно от бытового мусора в соответствии с требованиями действующего законодательства или верните его в пункт продажи при покупке нового аналогичного изделия.

Внимание! – Регламенты, действующие на местном уровне, могут предусматривать серьезные санкции за нарушение правил утилизации этого продукта.

13 ТЕХНИЧЕСКИЕ ХАРАКТЕРИСТИКИ ИЗДЕЛИЯ

ПРЕДУПРЕЖДЕНИЯ: • Все технические характеристики приведены для температуры 20°C ($\pm 5^\circ\text{C}$). • Компания Nice S.p.A. сохраняет за собой право внесения изменений в настоящее руководство и конструкцию изделия, с сохранением функциональности и предназначения последнего, в любой момент без предварительного уведомления заказчиков.

МОДЕЛЬ	TUB4000
Тип	Самоторомозящийся электромеханический мотор-редуктор для автоматизации раздвижных ворот промышленного применения с электронным блоком управления DPRO500
Шестерня	Z = 18; Модуль = 6; Шаг = 18,8
Пиковая осевая нагрузка	216 Нм
Номинальный крутящий момент	65 Нм
Скорость при номинальном крутящем моменте	0,16 м/с (9,50 м/мин)
Ограничения использования	TUB4000 подходит для автоматизации ворот весом до 4000 кг и длиной до 30 м
Питание	3~ 400 В перем.тока +/- 10%, 50 Гц.
Номинальная потребляемая мощность	580 Вт
Номинальный потребляемый ток	1,6 А
Класс изоляции	1 (необходимо защитное заземление)
Рабочая температура	-20°C ... 55°C
Класс защиты	IP 54
Размеры (мм)	580 x 480 x 240
Масса	60 кг

▲ Рекомендуется сохранять настоящее руководство пользователя и передавать его всем пользователям системы автоматики.

ПРЕДУПРЕЖДЕНИЯ

- Следите за движущимися воротами и держитесь на безопасном расстоянии до тех пор, пока они полностью не откроются или не закроются; не проходите через створ ворот до тех пор, пока они не будут полностью открыты и неподвижны.
- Не разрешайте детям играть вблизи ворот или с их устройствами управления.
- Держите передающие устройства в местах, недоступных для детей.
- Немедленно прекратите эксплуатацию устройства автоматики, если вы заметите какую-либо неисправность в его работе (шум или движения рывками); игнорирование этого предупреждения может привести к появлению опасной ситуации или рисков получения травм.
- Не касайтесь каких-либо частей системы, пока они находятся в движении.
- Обеспечьте выполнение периодических проверок в соответствии с графиком техобслуживания.
- Работы по техобслуживанию или ремонту должны выполняться только квалифицированными техническими специалистами.
- **Подача команды при неисправных предохранительных устройствах:**

В случае неверной работы или неисправности предохранительных устройств, тем не менее, сохраняется возможность управления воротами.

При срабатывании устройств безопасности можно управлять автоматизированной системой в режиме «Присутствие человека» посредством ряда команд. Нельзя отправлять команды по радио.

В случае неисправности предохранительных устройств необходимо произвести ремонт системы автоматики как можно скорее.

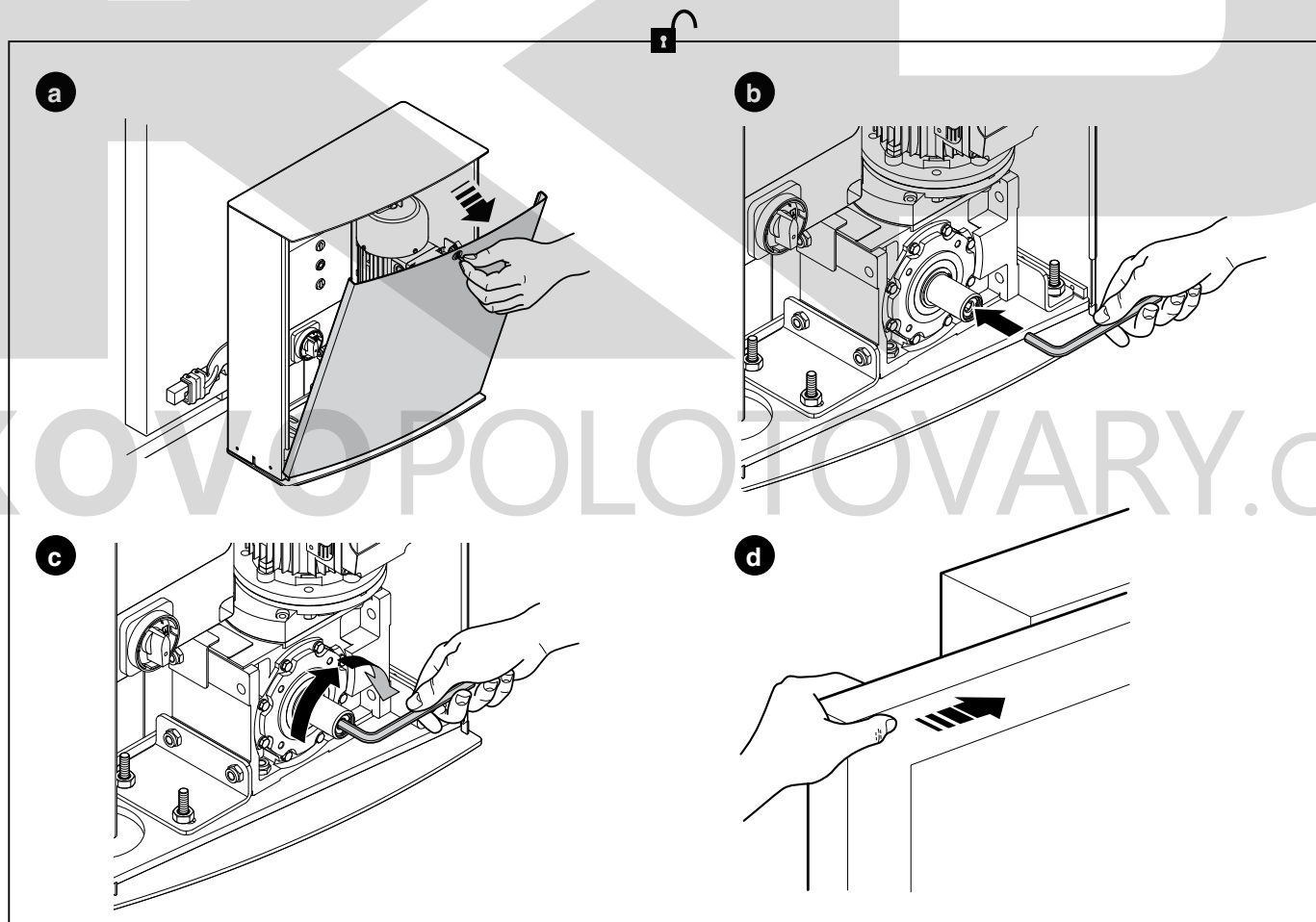
Разблокируйте и заблокируйте мотор-редуктор (вручную)

Электропривод оборудован механической системой, которая позволяет вручную открывать и закрывать ворота.

Данные операции, выполняемые вручную, должны выполняться в случае сбоя электропитания или неисправности в работе оборудования.

В случае неисправности мотор-редуктора, тем не менее, можно попробовать выполнить его разблокировку, чтобы выяснить, исправен ли механизм разблокировки.

Для блокировки мотор-редуктора выполните описанные далее операции в обратном порядке.



Операции техобслуживания, подлежащие выполнению пользователем

Ниже перечислены работы, которые периодически должен выполнять пользователь:

- **Чистка поверхности устройств:** используйте слегка увлажненную (не мокрую) ткань. Не используйте вещества, содержащие спирт, бензол, растворители или другие воспламеняющиеся средства; использование таких средств может привести к повреждению устройств или к возгоранию либо поражению электрическим током.
- **Удаление листьев и камней:** перед началом работы отключите электропитание системы автоматики во избежание того, чтобы кто-то мог привести в действие ворота. При наличии буферной батареи отсоедините и ее.

Декларация соответствия ЕС (№ 624/TUB4) и декларация соответствия «частично укомплектованной машины»

Примечание. Содержание настоящей декларации соответствует данным, задекларированным в официальном документе, который может быть представлен в офисе компании Nice S.p.A., и в частности, в его последней версии, доступной до момента передачи настоящего руководства в печать. Приведенный текст декларации был адаптирован по издательским соображениям. Копию оригинальной декларации можно запросить у компании Nice S.p.A. (TV) Italy.

Редакция: 2

Язык: RU

Название изготовителя: NICE S.p.A.

Адрес: Via Pezza Alta N°13, 31046 Rustignè di Oderzo (TV) Italy

Лицо, уполномоченное на составление технической документации: NICE S.p.A.

Адрес: Via Pezza Alta N°13, 31046 Rustignè di Oderzo (TV) Italy

Вид изделия: Электромеханический трехфазный мотор-редуктор 400 В

Модель / Тип: TUB4000

Дополнительные принадлежности: Радиоприемники мод. SMXI, SMXIS и ONEXI, OXI, OXIBD, OXILR, OVIEW
Оптическая чувствительная кромка TMF, NDA040
Фотодатчики ERA S, M, L

Я, нижеподписавшийся Роберто Гриффа (Roberto Griffa) в качестве Генерального директора заявляю под свою ответственность, что указанное выше изделие соответствует положениям следующих директив:

- Директива 2014/30/UE (EMC) EN 61000-6-2:2005 - EN 61000-6-3:2007+A1:2011

Помимо этого, изделие отвечает требованиям следующей директивы в части, касающейся «частично укомплектованной машины» (Приложение II, часть 1, раздел B):

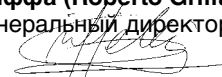
- Директивы 2006/42/CE ЕВРОПЕЙСКОГО ПАРЛАМЕНТА И СОВЕТА МИНИСТРОВ от 17 мая 2006 г., касающейся машиностроения и изменяющей Директиву 95/16/CE (переработка).
 - Также декларируется что соответствующая техническая документация была составлена в соответствии с приложением VII В Директивы 2006/42/CE и с соблюдением следующих основных положений: 1.1.1- 1.1.2- 1.1.3- 1.2.1-1.2.6- 1.5.1-1.5.2- 1.5.5- 1.5.6- 1.5.7- 1.5.8- 1.5.10- 1.5.11
 - Изготовитель обязуется предоставить уполномоченным национальным органам в случае получения от них соответствующим образом оформленному запроса необходимую информацию по «частично укомплектованной машине», сохраняя при этом все имеющиеся права на интеллектуальную собственность.
 - Если «частично укомплектованная машина» вводится в эксплуатацию в стране, язык которой отличается от использованного в настоящей декларации, импортер обязан предоставить надлежащий перевод декларации.
 - «Частично укомплектованная машина» не должна вводиться в эксплуатацию до тех пор, пока машина, в которую она встроена, не будет, в свою очередь, признана соответствующей, если это применимо, требованиям директивы 2006/42/ЕС.

Кроме того изделие отвечает требованиям следующих стандартов:

EN 60335-1:2012+A11:2014, EN 62233:2008, EN 60335-2-103:201

Место и дата: Одерцо, 19.12.2017

Инж. Роберто Гриффа (Roberto Griffa)
(Генеральный директор)





KOVOPOLOTOVARY.cz

KAP

KOVOPOLOTOVARY.CZ

Nice

Nice S.p.A.
Via Pezza Alta, 13
31046 Oderzo TV Italy
info@niceforyou.com

www.niceforyou.com