

**LOCINOX**

Let's make it better together

# INNOVATION JOURNAL

Discover here our  
latest gate concepts



Gate Closers



Access Control



Gate Hardware

## INNOVATION, THE ENGINE FOR YOUR GROWTH

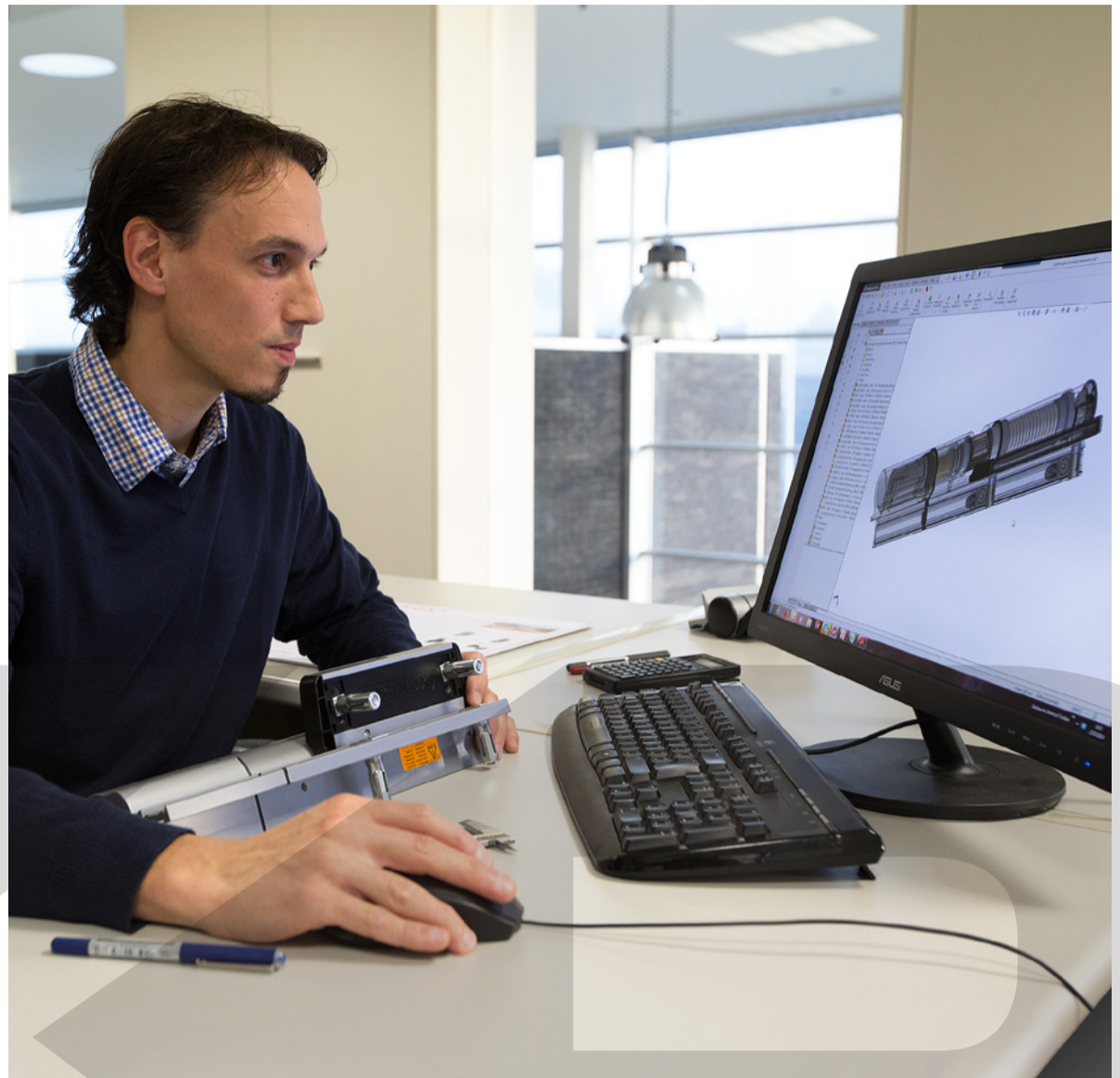
**“Never settle for less, Let’s make it better together!”**

That is the Locinox philosophy. Innovation is part of our engineers’ DNA. Our innovative promise? **No concessions to quality and a 100% added value** for you as a customer. Added value which is translated in a fast and correct service, high-quality products, ease of installation, modularity, durability and comfort. At Locinox, we don’t treat our customers like kings; yet we treat them like emperors.

With our latest **INTERIO** and **PANTHER** gate closers, Locinox continues to travel the path of qualitative and innovative solutions. At the moment, safety and comfort are hot topics. All gates should be self-closing.

Locinox prefers to use the best hydraulic technology for a perfect operation. In all weather conditions, in all parts of the world. Our durability tests prove a flawless operation, even after 500.000 movements.

Our continuously growing product range of Access Control solutions is highly innovative and brimful with quality components for a durable and flawless operations. For many years, in all weather circumstances. That’s the Locinox promise.



## TESTIMONIAL

### ZAUN- UND TORANLAGEN ANDRIEU,

a gate installer in the German city of Dortmund, has been working with Locinox for the past 25 years. Manager Matthias Andrieu is the perfect person to tell us how he experiences working with Locinox.

#### **Designed for outdoor use**

Locinox stands for quality. All our products can perfectly resist extreme weather conditions, from cold winters to hot summers. Moreover, all innovations are profoundly tested with 500,000 movements.

Also Matthias Andrieu appreciates our quality, especially that of our gate closers. “The main advantages are the durability and the fact that the gate closers are designed for outdoor use. Usually, those qualities result in expensive products. This does not apply for the Locinox gate closers. On the

contrary, they are easy to assemble and mainly during winter their performance is very convincing. Thanks to Locinox, we don’t encounter problems, compared to products of other manufacturers.”

**Thanks to Locinox,  
we don’t encounter  
problems, compared  
to products of other  
manufacturers**

#### **Perfect service**

Locinox treats every customer as an emperor. We really want full customer satisfaction. “For over 25 years now, we’ve been working with Locinox. We are very pleased about the collaboration. Every order is delivered correctly in a short term. No need to check upon delivery because we know everything is okay. This service can’t be improved!” Andrieu explains.

#### **Quick installation**

“Very important to us is the quick and easy installation”, Andrieu says. “We can easily switch the rotation direction of the locks at the yard. You only need to drill the holes, which largely contributes to a quick assembly. Left or right, it doesn’t matter. The lock is immediately adapted.” The modular character and the ease of assembly is one of the strengths of the Locinox concept. Both ensure flexibility and comfort. This is a large added value we offer our customers, and the end customer also benefits from it.

[Do you want to know the impact of the 1,000 hour salt spray test? Watch the video on www.locinox.com/en-gb/videozone/](http://www.locinox.com/en-gb/videozone/)



## INTERIO

Invisible, built-in hydraulic gate closer



## PANTHER

All-round hydraulic gate closer for wall and post mounting



COMING SOON  
—  
SUMMER 2020

## SABO

Bolt-on off-centered ground stop



## MODULEC-SF

Surface mounted electric keep for Fortylock, Fiftylock and Sixtylock



COMING SOON  
—  
SPRING 2020

## INTRALEC

Built-in electric keep for Fortylock, Fiftylock and Sixtylock insert locks



COMING SOON  
—  
SUMMER 2020

## EXCENTRO

180° hinge set for slopes up till 35%



## 3006FIX

Aluminium anodized handle pair with fixed and/or rotating operation





## INVISIBLE. INNOVATIVE. INTERIO.

An elegant front gate is the first contact for people with your house, right? Make sure your gate stands out aesthetically and operationally.

The built-in and invisible **INTERIO** gate closer is the perfect solution for pedestrian gates where the installation of an unobtrusive and vandal-proof gate closer is required.

As the access control is concerned, Locinox developed the **MODULEC-SF**: a totally new electric keep to be combined with the insert lock range. This surface mounted keep is installed easily thanks to the Quick-Fix. No cutting in the profile is required.



### FIFTYLOCK

Insert lock with 30 mm backset for profiles of 50 mm or more

Prime insert lock with 100% stainless steel mechanism. The stainless steel adjustable self-latching bolt and hook combined with the correct keep guarantee a strong and solid closed gate where the gate wings can not be pulled apart or forced open. The lock can be installed on metal, aluminium and PVC gates.

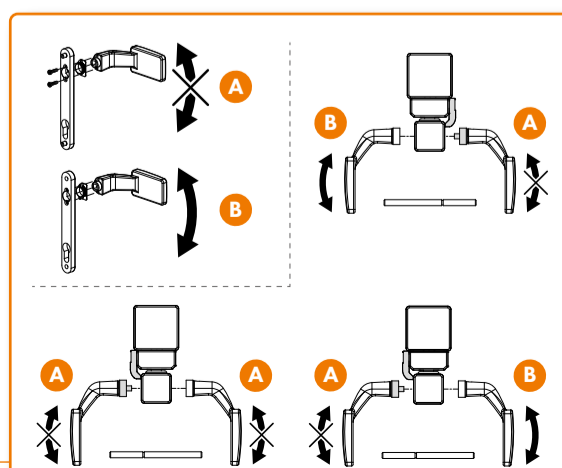
Thanks to the patented "CLICK-IT" system the lock is mounted in seconds.



### 3006FIX

Aluminium anodized handle pair with fixed and/or rotating operation

Anodized aluminium handle pair and cover shield allowing following combinations: both sides rotating, one side fixed or both sides fixed. The handle pair is compatible with the Fortylock, Fiftylock and Sixtylock insert locks.



COMING SOON  
—  
SPRING 2020

### MODULEC-SF

Surface mounted electric keep for Fortylock, Fiftylock and Sixtylock insert locks

Easy-to-install surface mounted electric keep with a narrowed stop plate for insert locks. Thanks to the patented **QUICK-FIX**, a quick installation is guaranteed: no more drilling or laser-cutting the gate profile.

The black anodised housing ensures a corrosion and scratch-free use for many years. Can be connected to both 12V - 24V and AC/DC.

**NEW**

**INTERIO**

*Invisible, built-in hydraulic gate closer*



*The invisible Interio gate closer, with matching hinge set, is completely built into the gate frame.*

This highly aesthetic solution opens and closes the gate comfortably. The integrated pretension ensures an efficient and flawless installation where speed and final snap can be adjusted accurately to fit any need.

**Specifications:**

- Self-closing up to 125° (depending on the situation) with adjustable closing speed and final snap
- Constant closing speed in hot or cold weather
- Vandal-proof
- For left and right turning gates
- Secure, fast and easy attachment thanks to Quick-Fix mounting bolts
- Optional sets available for ground and wall installation
- Recommended with Gatestop

**OPTIONAL WALL SET**



**OPTIONAL GROUND SET**



**PARK YOUR CAR IN ALL SAFETY AT HOME**

**ACCESS CONTROL FOR HIGH QUALITY PERIMETER SECURITY**

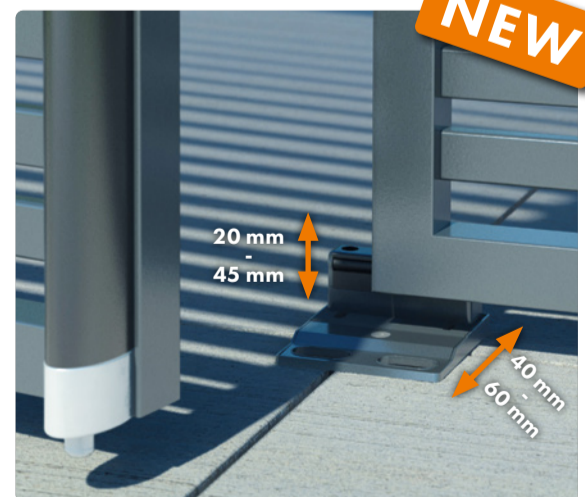
*A solid and unbreachable perimeter is a giant challenge for wherever security requirements are very strict. Equip high security fences with our quality gate hardware and you will sleep on both ears.*

In this solution the magnetic locks are combined with the brand new built-in gate closer: **INTERIO**. The vandal-proof Interio gate closer is invisible to possible intruders.

The magnetic locks by Locinox are fitted with a high quality 2-layer coating withstanding 500 hours of salt spray testing. This results in decades of rust-free use and will work flawlessly in any season, in both arctic as desert climates. Quality isn't an empty promise with Locinox.



**NEW**



**SABO**

**Bolt-on off-centered ground stop**

Strong surface mounted ground stop for double wing gates. Drop bolts with a maximum axle of Ø20 mm are the perfect fit.



**MAG**

**Surface mounted magnetic lock with integrated handles**



Screw-on electro-magnetic lock for access control. Available in 2 versions: MAG2500 with 250 kg and MAG5000 with 500 kg pulling force. The aluminium powder coated housing with integrated design handles gives your access control gate that extra touch. Stop losing precious time with welding boxes; drilling 7 holes does the job.

# HYDRAULIC GATE CLOSERS ENGINEERED FOR OUTDOORS

## ALWAYS A CONSTANT CLOSING SPEED

If your gate closes too slow, children or pets could sneak through. If your gate closes too fast, it might become a problem for wheelchair users. A loud slamming gate is not only annoying for you or your neighbours, it's also harmful for your gates.

The Active Thermal System, our own cutting-edge development, guarantees a constant closing speed, regardless of the outside temperature.

## ADJUST SPEED AND FINAL SNAP PRECISELY

Some customers prefer their gate to close slowly, while others want it to go a little faster. No problem! All of our hydraulic gate closers can easily be adjusted in a matter of seconds to the wishes of your customers.

The final snap allows the gate to speed up a little at the end: this way, you are reassured the gate is properly closed. The final snap can easily be adjusted to any need.

## FUNCTIONS COMFORTABLY

The in-house developed High-Helix screws guarantee a consistent functionality and ensure a comfortable opening speed for the elderly or disabled.

## DUST- & WATERPROOF

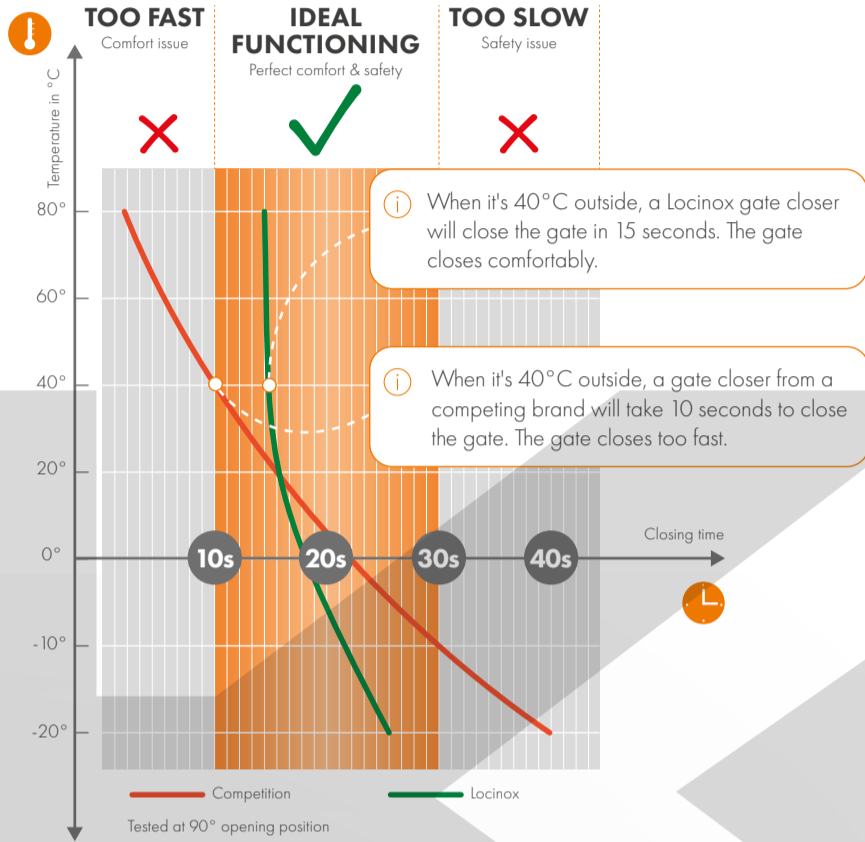
Our gate closers are equipped with rotary seals. These seals protect the gate closers from dirt and dust particles intruding the mechanism, assuring your customers of worry-free functioning for many years to come.

## CLOSES EVERY TIME

The powerful torsion spring guarantees the necessary closing force. Therefore, your gate will always close: unaffected by strong winds, the width of your gate wing or the outside temperature. You can rest assured.

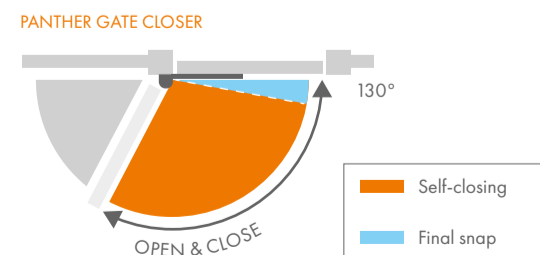
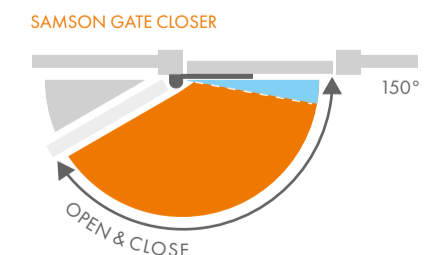
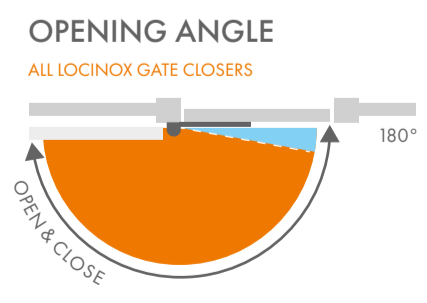
## 100% PROTECTED

The aluminium anodized housing guarantees full protection against any weather conditions. The housing is windproof, frost-free and dust- & waterproof, allowing your gate closer to function perfectly.



Model	Recommended Gate Width	Weight
TIGER	0 mm - 900 mm	75 kg
INTERIO	0 mm - 1100 mm	150 kg
MAMMOTH	0 mm - 1500 mm	150 kg
MAMMOTH-HD	0 mm - 2000 mm	200 kg
LION	0 mm - 900 mm	75 kg
PANTHER	0 mm - 1500 mm	75 kg
RHINO	0 mm - 1500 mm	150 kg
VERTICLOSE-2	0 mm - 1500 mm	150 kg
SAMSON-2	0 mm - 2000 mm	150 kg

Legend:  Recommended gate width



LION 90°

# IMPROVE YOUR PERIMETER SECURITY AT HOME

You want to feel completely safe at home and you want your perimeter security to be as reliable as possible, right? Our access control solutions ensure your comfort and peace of mind.

With the introduction of the **PANTHER** gate closer, Locinox offers an easy-to-install and versatile solution for every situation where the gate is installed between two stone pillars. Indeed, ease of installation is one of the key features why our customers love to work with Locinox.

Let's take the **SLIMSTONE** keypad and the **MODULEC-SH** keep as an example: just screw the Quick-Fix on the gate profile, connect and your private access control solution is ready for use!



COMING SOON  
—  
SUMMER 2020



## PANTHER

All-round hydraulic gate closer for wall and post mounting, for gates up to 150 kg

Versatile, easy-to-install and compact gate closer designed specially for wall and post situations. **PANTHER** is installed above the gate or between two pillars and can precisely be adjusted to anyone's wishes. The guaranteed closing force over the full 130° opening angle results in a worry free use, whatever the weather conditions. The aesthetic and scratch free anodized housing ensures a very long life cycle.



## SLIMSTONE

Sturdy, frost-free and weather resistant keypad with two integrated relays



## MODULEC-SH

Surface mounted electric security keep

## GET INSPIRED!

### LOCINOX.COM

Visit our website to find all the information you are looking for. Everything is explained from A to Z with product specifications, technical drawings, reference pictures, installation manuals and much more.

### MONTHLY NEWSLETTER

Subscribe on our website to our monthly newsletter for the latest news, product launches, market information, webinar trainings and much more...

### SOCIAL MEDIA

Get connected with Locinox, and stay tuned with innovations in the gate and fence industry.



# ALLOW A DAMPED CLOSING FOR GATES ON A SLOPE

In hilly areas, driveways and walkways lead from the streetside up to the house. But how can a gate open following the slope?

Enter the unique **EXCENTRO**. This 180° hinge allows any gate to open in an upwards direction, ensuring an easy and smooth access to the house. EXCENTRO is perfectly modular with the standardized gate for **GBMU4D** hinges.

The slope of the degree is customizable to any hillside. (from 2% up to 35%). However, gravity plays its role as well. You don't want the gate to slam loudly, right?

That's why the highly powerful **RHINO** is the required gate closer to close the gate controllably and comfortably, whatever the opening angle.



## RHINO

Aesthetical 180° gate closer with direct connection to the hinge

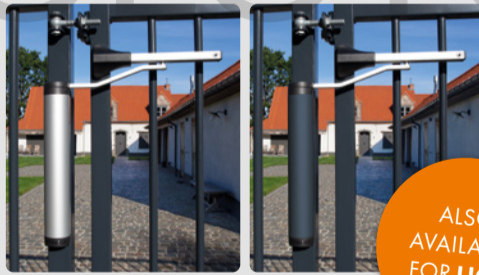
Transform your 180° hinge into a self-closing solution thanks to our **RHINO** hydraulic gate closer. The direct connection to the Locinox hinge guarantees the discreet look and efficient transmission of the energy required to close the gate perfectly. The anodized aluminium housing ensures a durable and smooth operation in any weather. The **RHINODRILL** jig guarantees an extremely efficient installation.



**NEW**

## ANODIZED SHELL

Match the colour of the **RHINO** and **VERTICLOSE-2** gate closers with the gate, or your company colours. The uncoated aluminium shell allows a powder coating in any colour possible. The aluminium shell replaces the anodized shell which comes with the Rhino or Verticlose-2. Aesthetical finish guaranteed, no fixation bolts are visible after mounting.



**NEW**

## QUICK-FIX

Stainless steel fixation bolt with high pulling resistance

The new generation of the **QUICK-FIX** can be reused multiple times thanks to its innovative design. Once mounted, the expander remains position in the profile, even if the Quick-Fix is unscrewed.

This way, the Quick-Fix guarantees an easy, fast and highly robust mounting, which resists to a pulling force of no less than 1.000 kg. Most Locinox products are fitted with the Quick-Fix.



INSTALL RHINO TWICE AS FAST WITH RHINODRILL

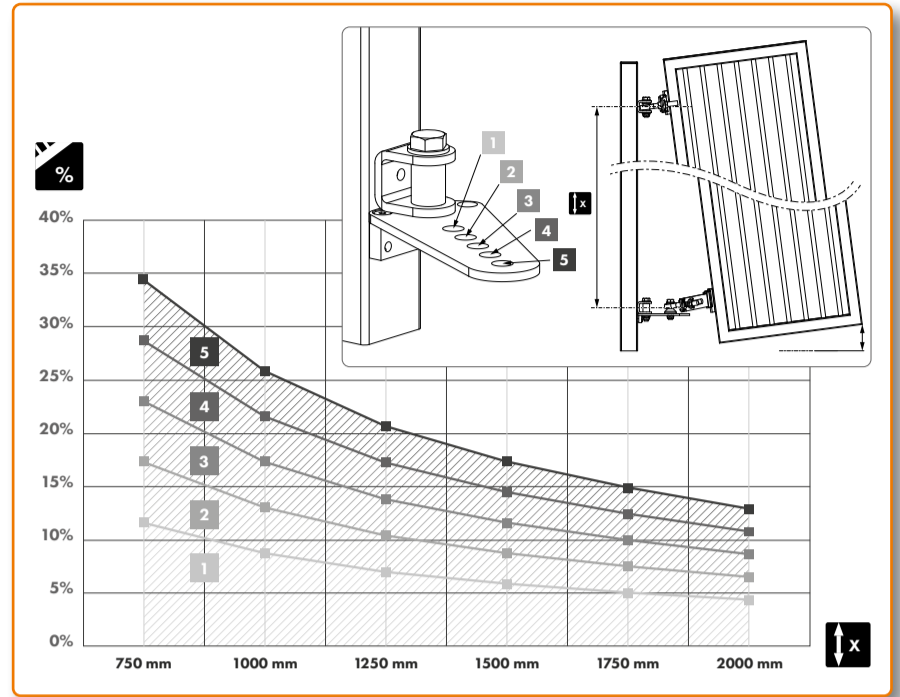


WATCH THE MOVIE





**NEW**



## EXCENTRO

180° hinge set for slopes up till 35%

This hinge is the perfect solution for sloped driveways. The hinge opens in an upward movement outwards, allowing a perfect entry and exit on even the steepest slopes (from 2% up to 35%). Use with the **RHINO** hydraulic gate closer is highly recommended for a controlled closing. Modular for gates with a Locinox **GBMU4D-M16** preparation.

## AVOID WEAK LINKS IN YOUR PERIMETER SECURITY

*The majority of forced entry burglaries is at the rear of the property, the garden. Make sure your garden gates are fitted with top notch gate hardware.*

An elegant self-closing hydraulic gate closer as the **LION** will close the garden gate after each passage. Summer or winter – always with the same closing speed, without any adjustments. You just know the gate will close any time to keep kids and pets safely inside the perimeter.

The **SLIMSTONE** outdoor keypad keeps burglars outside and the surface-mounted **INTRALEC** keep in combination with the robust **FIFTYLOCK** add a flavor of access control. Last but not least, the **BOLTON4D** hinge will ensure a smooth opening and closing of the gate.



## LION

Compact and polyvalent gate closer, fits every gate situation

The attractive and compact **LION** gate closer is unique in its kind. This hydraulic all-rounder is fit for every possible gate situation. Moreover, both 90° and 180° railsets are included in the package, allowing for more flexibility on site. The anodised aluminium housing combines a handsome look with a durable and spotless functioning for many years. Choose the **LION-VTC DRILL** for an even faster installation.



COMING SOON — SUMMER 2020

## INTRALEC

Robust, built-in electric keep for insert locks

Elegant and discreet electric keep which is built-in the post. Easy installation thanks to the patented **CLICK-IT** system.

Can be installed without a strike plate and a mechanical override is possible. **INTRALEC** is available in Fail Close version (Emissa).



## FOR A WORRY-FREE AND FANTASTIC SUMMER

A swimming pool is a great place to spend time with family and friends. But you don't want kids and pets to have access to the pool without any adults supervising, do you?

A fence around the pool is a must-have for a carefree summer. However, the pool gate must be self-closing after each passage – that's the guarantee of our **TIGER** gate closer.

But children shouldn't be able to open the gate on their own either. The **TWIST40** child safe gate lock avoids that little children are able to open the pool gate.

### QUALITY CHALLENGES

#### LOCINOX GATE LOCK VS HOCKEYTEAM



Challenge accepted: Hockey club Westhoek Wildcats vs our LAKQ U2 Gate Lock. Watch the video.

#### LOCINOX QUICK-FIX VS OLYMPIAN GYMNAST



Challenge accepted: an Olympic Artistic Gymnast tests if the 1.000 kg pulling force of the Quick-Fix isn't exaggerated. Watch the video.



### TIGER

Compact hinge and gate closer in one

180° self-closing hydraulic hinge with precise adjustments on speed and final snap. The aluminium powder coated housing and unique high-tech components allow the **TIGER** to function perfectly in any weather situation. We highly recommend the **TIGERDRILL** for an even more efficient installation. The **PUMA** hinge is included.

### "TIGER IS A GREAT GATE CLOSER, REDUCING OUR INTERVENTIONS TO ZERO"

Jean-Marie Georget  
Capitainerie Port De La Rochelle

A few years ago, the Marina of La Rochelle (the largest marina in Europe) faced a major problem. The pontoon access gates were fitted with (non-Locinox) gate closers which were no longer efficient.

After consulting Locinox, a **TIGER** gate closer was installed on an experimental basis. This Tiger worked perfectly for 2,5 months, which further reduced the number of interventions by the Technical Service to zero.

The Marina of La Rochelle has decided to replace all existing gate closers with **TIGER** gate closers from Locinox. According to Jean-Marie Georget, the **TIGER** gate closer has several advantages:



- satisfaction of marina customers, knowing that access to the pontoons is always secure
- his colleagues in the Technical Department, who don't have to intervene again
- a reliable operation which can also be easily adjusted to fit anyone's wishes
- a gate closer and hinge in one, which can be adjusted in just one operation
- a gate closer that simply works wonderfully



## BOOST YOUR SALES WITH OUR SALES SUPPORT TOOLS

Convince your clients of the Locinox quality. We developed several gate displays and democases fitted with our best selling products. Every featured Locinox product is full-scale and functioning just like in real-life.

These handy sales support tools perfectly claim what Locinox is standing for: exceptional quality, good value, extreme durability, user friendly comfort, easy installation, and much more.

Let these gate displays and complete democases be your closest ally during sales visits or showcase them in your showroom. They will be an eyecatcher and make your sales talks much easier.



3 versions available: locks, hinges and drop bolts

Including TIGER, MAMMOTH, SAMSON-2, LION and VERTICLOSE-2 gate closers, and much more...



## KEEP YOUR CHILDREN SAFE AT SCHOOL

School gates should protect the children inside the school and require a safe access control system. However, these gates must open easily in case of panic.

Thanks to the full modularity of the Locinox product range, manufacturing a school gate is very simple. Indeed, a standard Locinox gate can easily be fitted with the LPKQ panic lock.

The VERTICLOSE-2 gate closer perfectly closes the school gate. Thanks to the continuous adjustment of speed and final snap you can make sure the school gate is always firmly closed.

The SLIMSTONE outdoor keypad will allow anyone with the right code access to the school while the 3006PUSH handle guarantees an easy exit.



ALSO AVAILABLE WITH PANIC HANDLE

Certification in process



# #WE ARE LOCINOX



## FORWARD

Innovation as the engine of your growth



## MODULARITY

Designed with flexibility at every moment



## ADDED VALUE

High quality to ensure your peace of mind



## 24/7 WEBSHOP

Order when it suits you



## FULL SERVICE

Exceptional after-sales service



## 3 YEAR WARRANTY

Sustainable solutions in the very long term



## TRANSPARENCY

A sincere and clear communication, day after day



## RELIABLE

Our promises and deadlines are always met



## LOYAL

Long-term relationships and a win-win situation for everyone

# KOVO POLOTOVARY.CZ

## LOCINOX NV

Mannebeekstraat 21  
8790 Waregem – Belgium

T. +32 (0)56 77 27 66

F. +32 (0)56 77 69 26

E. [info@locinox.com](mailto:info@locinox.com)

[www.locinox.com](http://www.locinox.com)

## LOCESHOP

order when it suits you

In a world where business never stops and where providing a fast service is crucial, Locinox is determined to stay ahead.

Order any of our products 24/7 thanks to the Loc-eshop.

Visit the Loc-eshop on [www.locinox.com](http://www.locinox.com)

